

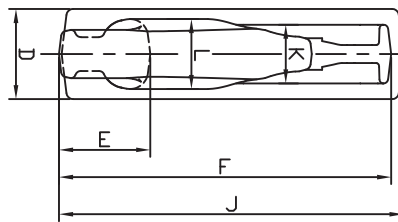
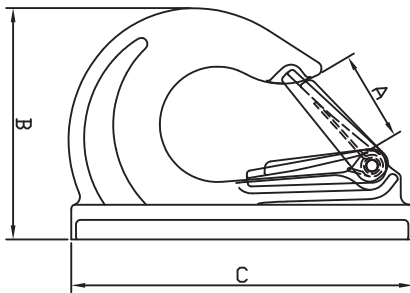
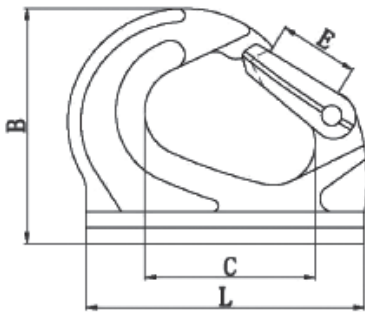


Weld-on Bucket Hooks

GRADE 80

FEATURES

- ▶ Grade 80 alloy steel.
- ▶ These Weld on Hooks are designed for weldable attachment to equipment to provide a lifting/pulling point for easy attachment of chain, wire rope or web slings.
- ▶ **Warning:** Never exceed working load limit.
- ▶ Meets ASTM A952/A952M-2 and ASME B30.10



DIMENSIONS (inches)

Part#	WLL tons	B	C	E	L	Weight (lbs.)	Latch Part#
WBH01	1	3.13	2.32	0.91	3.84	1.06	LKBH01
WBH02	2	3.62	2.56	1.04	4.45	1.94	LKBH02
WBH03	3	4.17	2.93	1.22	5.02	2.65	LKBH03
WBH05	5	5.24	3.82	1.47	6.72	5.56	LKBH05
WBH08	8	5.48	3.68	1.39	6.89	7.19	LKBH08
WBH10	10	6.51	5.44	2.00	8.73	9.68	LKBH10

DIMENSIONS (inches)

Part#	WLL tons	A	B	C	D	E	F	J	K	L	Weight (lbs.)	Latch Part#
WBH16	16	2.91	7.01	10.61	2.76	2.84	10.30	10.69	1.57	2.13	19.84	LKBH16
WBH20	20	3.15	8.07	11.94	3.15	3.19	11.59	12.03	2.05	2.44	28.66	LKBH20



Before using these products; read and follow instructions in the operator's manual. Never exceed capacity. Do not use for lifting people or loads over people.