

Model R

(Continued)

Model R lifting lugs:

To help alleviate the problem of lifting large size Constant Supports into position for installation, this product is available with lifting lugs (if requested) on sizes ten and larger.

Lifting Lugs (Figure 81-H): Not available on Type F.

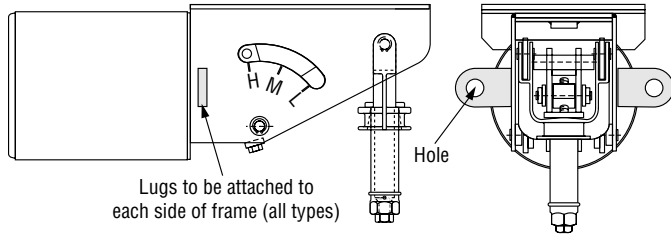
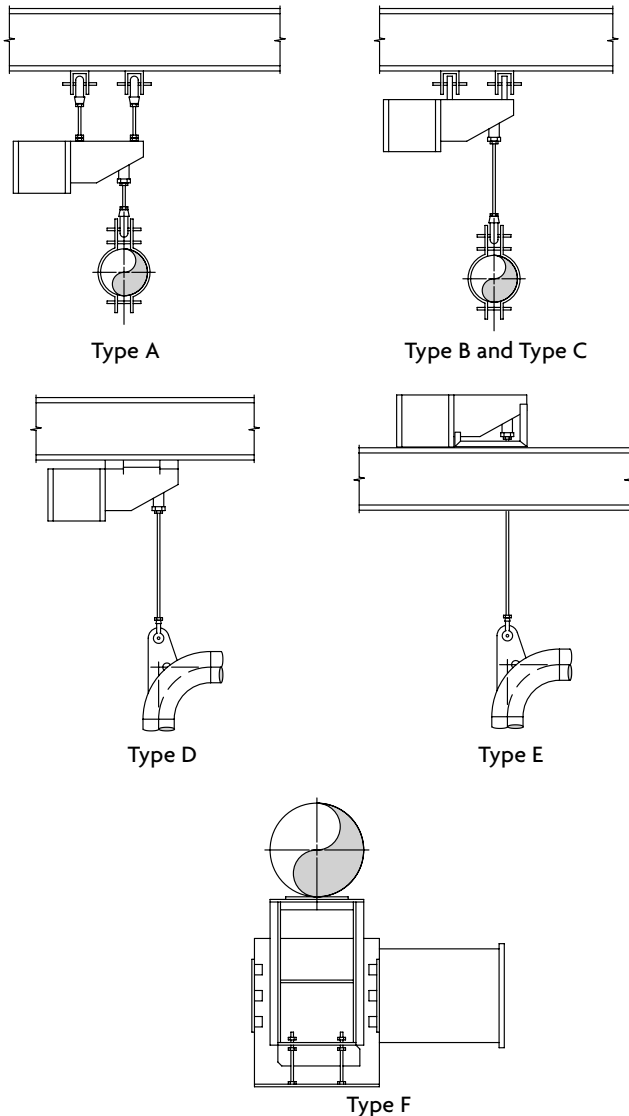


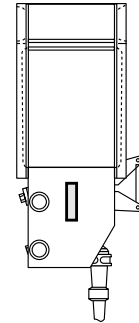
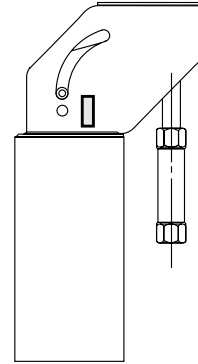
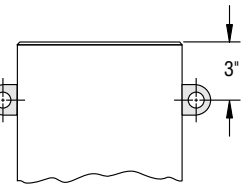
Fig. 81-H (Horizontal): Typical Applications



Lifting Lugs (Fig 80-V):

LUGS TO BE 90° FROM CHANNEL ON TYPE D

Types A, B, C, D, & E
sizes 10 thru 63



sizes 64 thru 83
Lugs to be attached to each side of frame and will need stabilizing rigging when being lifted

Fig. 80V (Vertical): Typical Applications

