

36LF SERIES



Apollo 36LF Series pressure reducing valves provide automatic control of excessive water pressure and problem supply fluctuations. These models are designed to reduce pressures of up to 300 PSI to a more manageable range.

Factory set at 50 PSI, they adjust with a turn of a screw. They feature a built-in bypass and strainer, and comply with ASSE 1003 and CSA B356 standards. They are listed with IAPMO and the City of Los Angeles.

The 36LF Series valves are built for long, reliable service with an all-bronze body and cover and high-capacity stainless steel strainer. Available with or without optional pressure gauge on tapping.

FEATURES

- All Bronze Body and Cover
- Suitable for Supply Pressures to 300 psi
- Every Valve is 100% Factory Set and Tested
- Standard Factory Setting: 50 psi
- High & Low Pressure Options
- Diaphragm Suitable for 33° - 180°F
- Solder, Threaded, PEX, CPVC, Press Connection Options
- Integral Thermal Expansion Bypass
- Integral Stainless Steel Strainer
- Single and Double Union Options
- In-Line Repairable
- **Proudly Made in USA**

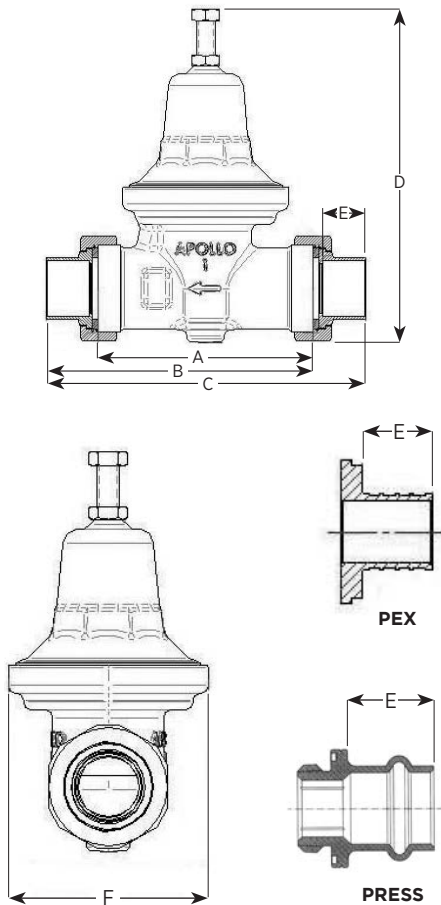
OPTIONS

- (-P) Tapped & Plugged
- (-G) With Pressure Gauge
- (-S) Sealed Cage with SS Adjusting Screw for Vault Installation
- 36 Non-LF Materials for Non-Potable Service, Such as Irrigation

APPROVALS

- ASSE 1003
- CSA B356
- NSF/ANSI/CAN 372 - Lead Free
- IAPMO

DIMENSIONS



PIPE THREAD UNION X FNPT	SOLDER JOINT UNION X FNPT	CPVC UNION X FNPT	SIZE (IN.)	DIMENSIONS (IN.)			WT./100 (LB.)
				A	B	C	
36LF-103-01	36LF-303-01	-	1/2	5.88	4.88	1.00	350
36LF-104-01	36LF-304-01	36LF-3C4-01	3/4	5.88	4.88	1.00	340
36LF-105-01	36LF-305-01	36LF-3C5-01	1	6.88	5.50	1.12	450
36LF-106-01	36LF-306-01	-	1-1/4	8.88	6.50/6.63	1.37	1020
36LF-107-01	36LF-307-01	-	1-1/2	8.88	6.63/6.75	1.37	1045
36LF-108-01	36LF-308-01	-	2	11.50	8.50/8.88	1.81	2250
FNPT X FNPT (NO UNION)							
36LF-203-01	-	-	1/2	5.88	4.00	1.00	311
36LF-204-01	-	-	3/4	5.88	3.88	1.00	305
36LF-205-01	-	-	1	6.88	4.38	1.12	415
36LF-206-01	-	-	1-1/4	8.88	5.38	1.37	910
36LF-207-01	-	-	1-1/2	8.88	5.38	1.37	909
36LF-208-01	-	-	2	11.50	7.12	1.81	1880

DOUBLE UNION FNPT X FNPT	DOUBLE UNION SOLDER X SOLDER	DOUBLE UNION CPVC X CPVC	SIZE (IN.)	DIMENSIONS (IN.)			WT./100 (LB.)
				A	B	C	
36LF-403-01	36LF-503-01	-	1/2	5.88	5.63	1.00	389
36LF-404-01	36LF-504-01	36LF-5C4-01	3/4	5.88	5.63	1.00	372
36LF-405-01	36LF-505-01	-	1	6.88	6.38	1.12	495
36LF-406-01	36LF-506-01	-	1-1/4	8.88	7.50/7.75	1.37	1090
36LF-407-01	36LF-507-01	-	1-1/2	8.88	7.88/8.00	1.37	1183
36LF-408-01	36LF-508-01	-	2	11.50	9.88/10.50	1.81	2472
36LF-904-01	PEX x PEX	-	3/4	6.12	5.81	1.00	372
36LF-9C4-01	Union CPVC	PEX Union	3/4	6.12	5.81	1.00	372

*36 Series for non-potable water available.
Example: 36-103-01

WATER PRESSURE REDUCING VALVES