



Female NPT Thread, 1/4" to 1" 2000 CWP (psig), 1-1/4" to 2" 1500 CWP (psig), 2-1/2" to 3" 1000 CWP (psig) Cold Non-Shock.
 250 psig LP-Gas. 150 psig Saturated Steam.
 Vacuum Service to 29 in. Hg.
 MSS SP-110 Compliant.

FEATURES

- UL Listed for LP-Gas, natural gas and flammable liquid to 250 psig
- Reinforced seats
- Mounting pad for easy actuator mounting
- Investment cast components
- Blowout-proof stem design
- Adjustable packing gland
- Zinc phosphate corrosion protection

VARIATIONS AVAILABLE

- 489-140-01 Series w/ 316 SS Ball and Stem, UL Listed as noted above

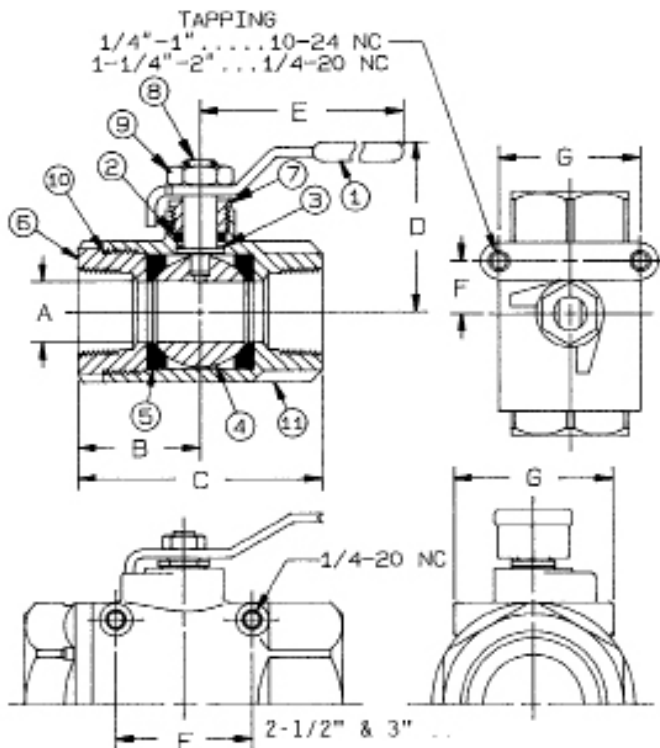
UL LISTINGS

- Guide YSDT: LP-Gas shut-off valve.
- Guide YRPV: Gas shutoff valve for use with natural and manufactured gases.
- Guide YRBX: Flammable liquid shutoff valve.
- Guide MHKZ: No. 6 oil at 250°F.

STANDARD MATERIAL LIST

	PART	MATERIAL
1	Lever and grip	Steel, zinc plated w/vinyl
2	Stem packing	RPTFE
3	Stem bearing	RPTFE
4	Ball	A108-CS Chrome Plated or ASTM A276 316 SS
5	Seat (2)	RPTFE
6	Retainer	A108-12L14 (1/4" to 1") A216-WCB (1-1/4" to 3")
7	Gland nut	A108-12L14
8	Stem	A108-12L14 or A276-316 SS
9	Lever nut	Steel, zinc plated
10	Body seal	PTFE (1-1/4" to 3")
11	Body	A216-WCB

Pressure/Temperature Ratings -
 Page M-14, Graph No. 13 (1/4" to 1")
 Page M-13, Graph No. 11 (1-1/4" to 2")



DIMENSIONS

PART NO.	SIZE	A	B	C	D	E	F	G	WT.
489-101-01A	1/4"	0.37	1.03	2.06	1.75	3.87	0.50	1.12	0.58
489-102-01A	3/8"	0.37	1.03	2.06	1.75	3.87	0.50	1.12	0.54
489-103-01A	1/2"	0.50	1.12	2.25	1.81	3.87	0.50	1.12	0.63
489-104-01A	3/4"	0.68	1.50	3.00	2.12	4.87	0.87	1.37	1.27
489-105-01A	1"	0.87	1.68	3.37	2.25	4.87	0.87	1.37	1.63
489-106-01	1-1/4"	1.00	2.00	4.00	2.62	5.50	0.93	1.50	3.06
489-107-01	1-1/2"	1.25	2.18	4.37	3.05	8.00	0.93	1.50	3.98
489-108-01	2"	1.50	2.75	5.50	3.24	8.00	0.93	1.50	5.99
489-109-01	2-1/2"	2.50	3.37	6.75	4.12	8.00	2.75	3.37	15.57
489-100-01	3"	2.50	3.37	6.75	4.12	8.00	2.75	3.37	16.79