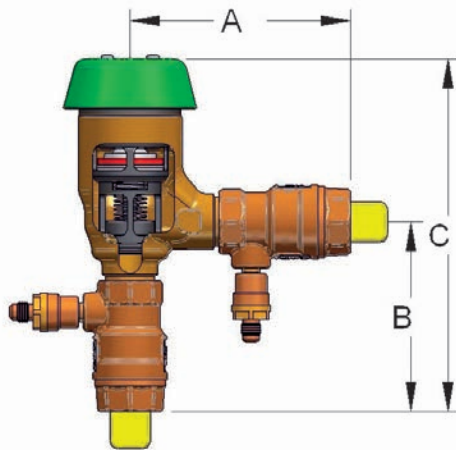


### PVB 4A / PVBLF 4A SERIES

#### FREEZE RESISTANT PRESSURE VACUUM BREAKER BACKFLOW PREVENTER



The Apollo Model PVB 4A or PVBLF 4A Pressure Vacuum Breakers are designed to prevent contamination of potable water due to back-siphonage. An integral relief valve serves to reduce the possibility of damage due to intermittent freezing conditions. The modular check valve cartridge has a replaceable seat and a reversible silicone seat disc. Ball valves with stainless steel handles and nuts are standard.

#### FEATURES

- Modular Captured Spring Cartridge Check Valve
- Low Pressure Loss
- Easy Maintenance
- **Built-In Freeze Resistant Relief Valve at no extra charge**
- Compact Yet Easy to Maintain
- Ball Valves w/SS Handles & Nuts Standard
- Testcocks Located for Easy Draining
- Threaded Testcock Protectors
- Corrosion Resistant
- 5 Year Warranty
- No Special Tools Required
- Lead Free Option (3/4" - 1")
- Flexible canopy helps protect the bonnet from impact breakage

#### PERFORMANCE RATING

- Maximum Operating Pressure: 150 psi
- Design Pressure: 300 psi
- Temperature Range: 33° to 140°F

#### APPROVALS

- ASSE 1020
- Approved by the Foundation for Cross-Connection Control and Hydraulic Research at the University of Southern California (1/2" - 2" Non Lead Free Only)
- CSA B64.1.2
- NSF/ANSI 372 - Lead Free (4ALF only)

#### STANDARD MATERIALS LIST

<b>BODY</b>	Bronze (C84400/LF C89836)
<b>BALL VALVES, TESTCOCKS</b>	Bronze (C84800/LF C87800)
<b>CANOPY</b>	UV Resistant ABS
<b>BONNET</b>	Glass-Filled PPO
<b>CHECK VALVE CARTRIDGE</b>	Glass-Filled PPO
<b>SPRINGS</b>	Stainless Steel
<b>SEAT DISCS</b>	Chloramine-Resistant Silicone
<b>FLOAT</b>	Glass-Filled Polypropylene
<b>O-RINGS</b>	Chloramine-Resistant EPDM
<b>BALL VALVE HANDLES</b>	Stainless Steel

Contact local water authorities for installation/service requirements.

#### DIMENSIONS

PART NO.	MODEL NO.	DIMENSIONS (IN.) (MM)				WEIGHT	
		SIZE	A	B	C	LB.	KG.
4A-503-A2	PVB4A12	1/2" (15)	4-1/2 (114)	3-3/4 (95)	7-1/4 (184)	2.9	1.3
4A-504-A2	PVB4A34	3/4" (20)	4-3/4 (121)	4-1/8 (105)	7-5/8 (194)	3.0	1.4
4A-505-A2	PVB4A1	1" (25)	5-3/8 (135)	4-5/8 (194)	8-3/8 (211)	4.2	1.9
4A-506-A2	PVB4A114	1-1/4" (32)	7 (178)	5-1/4 (133)	9-7/8 (250)	4.4	2.0
4A-507-A2	PVB4A112	1-1/2" (40)	7-1/4 (184)	5-5/8 (143)	10-1/8 (257)	7.3	3.3
4A-508-A2	PVB4A2	2" (50)	8-1/2 (216)	6-3/8 (161)	11-1/2 (292)	8.9	4.0

#### PART NUMBER MATRIX

4A [X]	50 X	A X	X
	SIZE	SHUT-OFF VALVES	OPTIONS (CAN BE COMBINED)
4A - Standard	3 - 1/2"	2 - w/ Ball Valves (Standard)	F - SAE Threaded Test Cocks (Standard 1/2", 3/4", 1")
4ALF - Lead Free (3/4" - 1")	4 - 3/4"	4 - w/ Union Ball Valves	LL - Locking Lever Handles (3/4" - 2")
	5 - 1"	(3/4" and 1" Only)	
	6 - 1-1/4"		
	7 - 1-1/2"		
	8 - 2"		

EXAMPLE: 4ALF 505 A4 LL = 1" pressure vacuum breaker with union ball valves and locking levers