



# 60B-100 (GLOBE) & 60B-200 (ANGLE) SERIES

10000 CWP, CARBON STEEL



Female NPT Thread  
10,000 CWP (psig)  
NACE MR0175 (2000) & MR0103 (2012)

## FEATURES

- Backseat stem design reduces pressure exerted on the packing, prolonging packing life. Design also prevents stem from being accidentally turned out of the valve.
- Integral metal-to-metal seat design.
- Externally adjustable PTFE packing is standard, graphoil available as an option.
- Malleable iron handle for long lasting, reliable service.
- All valves 100% pressure tested

- Fully threaded bonnet to accommodate optional panel mounting nut.
- Locking bonnet option available.
- All pressure retaining parts constructed of ASTM materials.

## VARIATIONS AVAILABLE

- 60B-12x Series  
(Socket Weld End Connection. Not available on angled valves.)

## STANDARD MATERIAL LIST

	PART	MATERIAL
1	Body	ASTM A108 Carbon Steel
2	Hub	ASTM A108 Carbon Steel
3	Stem	ASTM A276 Stainless Steel
4	Stem Packing	PTFE
5	Gland	ASTM B484
6	Gland Nut	ASTM A108 Carbon Steel
7	Handle <sup>1</sup>	ASTM A47 Malleable Iron, Zinc Phosphate Finish
8	Handle Nut	Carbon Steel, Zinc Plated

Note 1:  
1/2" and smaller come standard with cross handle  
3/4" and 1" sizes come standard with tee handle

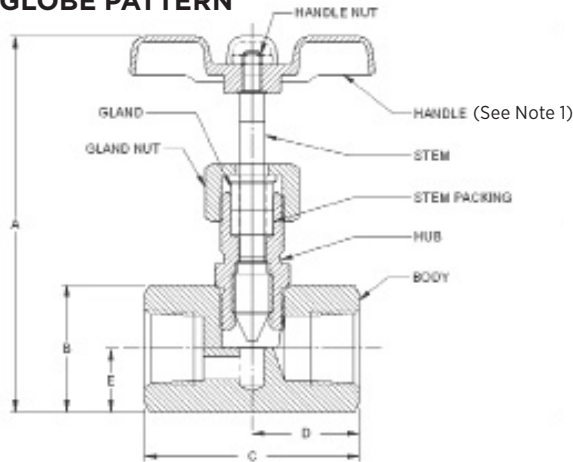
## OPTIONS AVAILABLE

(MORE INFORMATION IN SECTION J)

(SUFFIX)	OPTION	SIZES
-01	Standard Configuration	All
-07-	Steel Tee Handle (See Note 1)	1/4" to 1/2"
-09-	Lock Bonnet	1/4" to 1"
-24-	Graphite Packing	1/4" to 1"
-57-	Oxygen Cleaned	1/4" to 1"
-88-	Panel Mount	1/4" to 1"

Pressure/Temperature Ratings - Page M-22, Graph No. 30

## GLOBE PATTERN

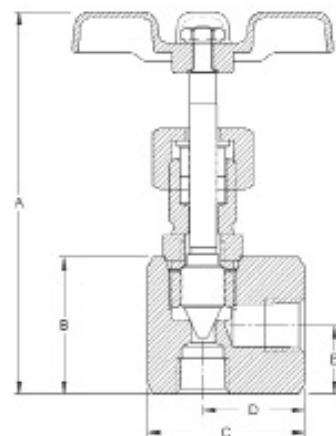


## DIMENSIONS

### GLOBE PATTERN

PART NO.	SIZE	A MIN.	A MAX.	B	C	D	E	CV	WT.
60B-101-01	1/4"	3.8	4.1	1.38	2.25	1.13	0.69	0.6	1.23
60B-102-01	3/8"	3.8	4.1	1.38	2.25	1.13	0.69	0.9	1.19
60B-103-01	1/2"	3.8	4.1	1.38	2.75	1.38	0.69	0.8	1.64
60B-104-01	3/4"	4.6	5.1	2.00	3.19	1.60	1.00	2.7	3.34
60B-105-01	1"	4.9	5.4	2.00	3.62	1.81	1.00	2.6	4.24

## ANGLE PATTERN



## DIMENSIONS

### ANGLE PATTERN

PART NO.	SIZE	A MIN.	A MAX.	B	C	D	E	CV	WT.
60B-201-01	1/4"	3.8	4.1	1.38	1.59	1.03	0.69	0.6	0.94
60B-202-01	3/8"	3.8	4.1	1.38	1.59	1.06	0.69	0.9	0.90
60B-203-01	1/2"	3.8	4.1	1.38	2.00	1.37	0.69	0.8	1.34
60B-204-01	3/4"	4.9	5.4	2.00	2.50	1.62	1.00	2.7	2.79
60B-205-01	1"	4.9	5.4	2.00	2.93	1.93	1.00	2.6	3.72