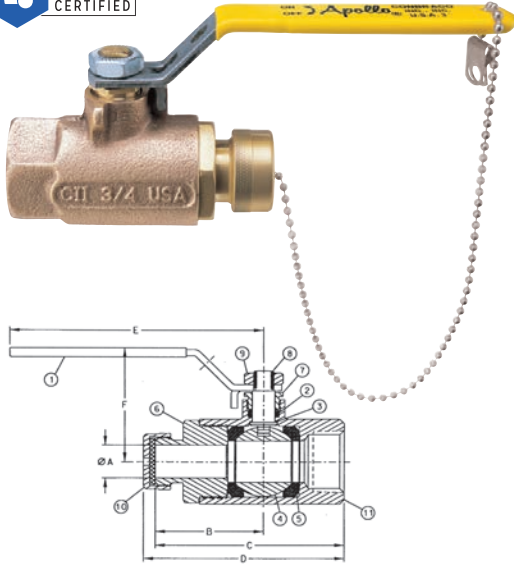


70-HC SERIES HOSE CAP & CHAIN VALVE



CAP & CHAIN VALVE WITH 3/4" HOSE CONNECTION, HEAVY BRASS CAP AND REVERSE HANDLE

Ideally suited for draining or sampling of HVAC or potable water systems, these valves allow direct connections to hoses. Valve features a securely attached cover (includes chain) which prevents damage to hose threads. -200 model designed for soft soldering into lines without disassembly.

FEATURES

- Heavy Pattern Construction
- Reverse Lever is Standard for Easier Installation
- Stainless Steel Lever & Nut Standard
- NPT and Solder Connections
- EZ-Solder™ Lead free bronze
- ASTM B584 Bronze
- Blowout-Proof Stem Design
- RPTFE Seats and Stuffing Box Ring
- Adjustable Packing Gland
- Vacuum Service to 29 in. Hg
- Maximum Pressure: 600 psi CWP
- Temperature Rating: 200°F
- Full Pressure Rated Brass Hose Cap
- **Stronger Stainless Steel Ball Chain** **NEW!**
- **Proudly Made in USA**

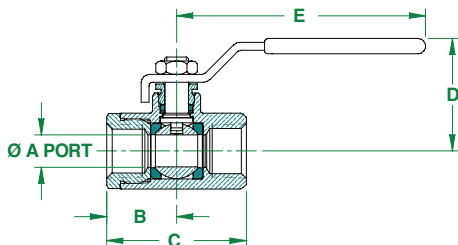
OPTIONS

- (-11) Therma-Seal™ Insulating Tee
- Stainless Steel Ball and Stem (70-24x-HC/70LF-24X-HC)
- 70LF is NSF 61 and NSF 372 Certified Lead Free

DIMENSIONS

PART NUMBER	LF PART NUMBER	SIZE (IN.)	DIMENSIONS (IN.)					
			A	B	C	D	E	F
70-103-HC	70LF-103-HC	1/2 NPT x 3/4 Hose	0.50	1.68	2.81	2.97	3.87	1.75
70-104-HC	70LF-104-HC	3/4 NPT x 3/4 Hose	0.68	1.96	3.50	3.67	4.87	2.12
70-105-HC	70LF-105-HC	1 NPT x 3/4 Hose	0.87	2.24	3.92	4.16	5.28	2.43
70-203-HC	70LF-203-HC	1/2 Solder x 3/4 Hose	0.50	1.68	3.14	3.28	3.89	1.75
70-204-HC	70LF-204-HC	3/4 Solder x 3/4 Hose	0.68	1.96	3.94	4.09	4.89	2.12
70-205-HC	-	1 Solder x 3/4 Hose	0.87	2.24	4.49	4.73	5.28	2.43

70B-140 SERIES STEAM BOILER/B31.1 POWER PIPING BRONZE BALL VALVE



The Apollo 70B series has the same rugged features as the standard 70 Series valve but with ASTM B62 bronze shell components, vented stainless steel ball and upgraded seats and packing. The 70B has trusted performance along with a wide range of options to suit every application.

FEATURES

- Stainless Steel Ball & Stem
- Blowout-Proof Stem Design
- Adjustable Packing Gland
- MPTFE Seats and Stuffing Box Ring
- 100% Factory Tested
- B62 C84400 bronze body and retainer
- **Proudly Made in USA**

PERFORMANCE RATING

- Maximum Pressure: 600 psi CWP, 250 psi SWP
- Maximum Temperature: 500°F
- Vacuum Service to 29 in. Hg

APPROVALS

- MSS SP-110 - Ball Valves
- CRN: OC10908.5C
- ASME B31.1 - Power Piping

DIMENSIONS - NPT

PART NUMBER	SIZE (IN.)	DIMENSIONS					WT. (LB.)
		A	B	C	D	E	
70B-141-64	1/4"	0.37	1.03	2.06	1.75	3.87	0.60
70B-142-64	3/8"	0.37	1.03	2.06	1.75	3.87	0.56
70B-143-64	1/2"	0.50	1.12	2.25	1.75	3.87	0.63
70B-144-64	3/4"	0.68	1.50	3.00	2.12	4.87	1.39
70B-145-64	1"	0.87	1.68	3.37	2.25	4.87	1.72
70B-146-64	1-1/4"	1.00	2.00	4.00	2.62	5.50	3.26
70B-147-64	1-1/2"	1.25	2.18	4.37	3.06	8.00	4.61
70B-148-64	2"	1.50	2.34	4.68	3.25	8.00	6.06