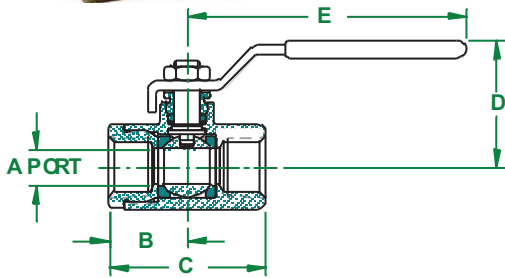


### 70LF-100/200 SERIES BRONZE BALL VALVE



The Apollo 70LF series is the most widely used and trusted lead free bronze ball valve in the industry. It features a blowout-proof stem, RPTFE seats and stuffing box ring and plated brass ball.

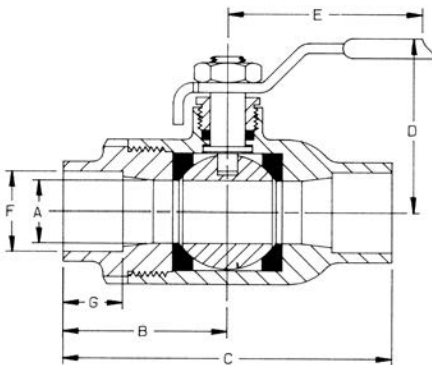
#### FEATURES

- Heavy Pattern Construction
- EZ-Solder™ Lead Free DZR Bronze
- Solders Just Like Standard Bronze
- Rated 600 psig CWP, Non-Shock
- 150 psig SWP for Saturated Steam
- 100% Factory Tested
- Vacuum Service to 29 in. Hg
- MSS SP-110 Ball Valves
- ANSI/ASME B1.20.7 Hose Thread
- NSF/ANSI/CAN 61 Water Quality
- NSF/ANSI/CAN 372 Lead Free
- CRN: 0C10908.5C
- Adjustable Packing Gland
- Multiple Options and Configurations Available
- **Proudly Made in USA**

#### DIMENSIONS - NPT

PART NUMBER	SIZE (IN.)	DIMENSIONS (IN.)					WT. (LB.)
		A	B	C	D	E	
70LF-101-01	1/4"	0.37	1.03	2.06	1.75	3.87	0.60
70LF-102-01	3/8"	0.37	1.03	2.06	1.75	3.87	0.56
70LF-103-01	1/2"	0.50	1.12	2.25	1.75	3.87	0.63
70LF-104-01	3/4"	0.68	1.50	3.00	2.12	4.87	1.39
70LF-105-01	1"	0.87	1.68	3.37	2.25	4.87	1.72
70LF-106-01	1-1/4"	1.00	2.00	4.00	2.62	5.50	3.26
70LF-107-01	1-1/2"	1.25	2.18	4.37	3.06	8.00	4.61
70LF-108-01	2"	1.50	2.34	4.68	3.25	8.00	6.06
70LF-109-01	2-1/2"	2.00	3.12	6.25	3.72	8.00	13.96
70LF-100-01	3"	2.50	3.37	6.75	4.12	8.00	18.60
70LF-10A-01	4"	3.12	3.68	7.37	5.25	10.00	25.50

NOTE: 1/4", 3/8", and 1/2" are full port.



#### DIMENSIONS - SOLDER

PART NUMBER	SIZE (IN.)	DIMENSIONS (IN.)*						
		A	B	C	D	E	F	G
70LF-202-01	3/8	0.37	1.28	2.56	1.75	3.87	0.505	0.37
70LF-203-01	1/2	0.50	1.43	2.87	1.75	3.87	0.63	0.50
70LF-204-01	3/4	0.68	1.93	3.87	2.12	4.87	0.88	0.75
70LF-205-01	1	0.87	2.25	4.50	2.25	4.87	1.13	0.90
70LF-206-01	1-1/4	1.00	2.31	4.62	2.62	5.50	1.38	0.96
70LF-207-01	1-1/2	1.25	2.62	5.25	3.06	8.00	1.63	1.09
70LF-208-01	2	1.50	3.18	6.37	3.25	8.00	2.13	1.34
70LF-209-01	2-1/2	2.00	3.74	7.51	3.72	8.00	2.63	1.48
70LF-200-01	3	2.50	4.12	8.25	4.12	8.00	3.13	1.67
70LF-20A-01	4	3.12	4.61	9.22	5.22	9.94	4.13	2.16

\*Based on 70-200-01 - Dimensions may vary with options.

NOTE: 1/4", 3/8", and 1/2" are full port.

\*\*70LF-2xx intended for soft solder installation using solders with melting temperature of < 500°F.