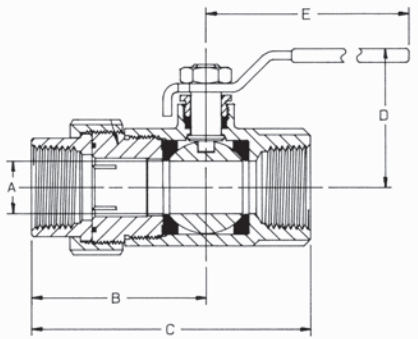


70-300/400 SERIES BALL VALVE WITH FNPT x UNION END



This valve combines a pipe union with ball valve shut-off; it saves time and labor by eliminating the need for extra connections. Viton O-ring sealed union requires light torque for proper seal.

FEATURES

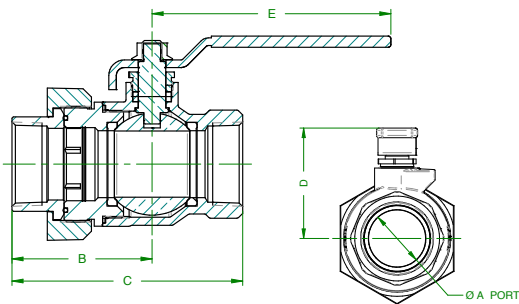
- ASTM B584 Bronze
- Blowout-Proof Stem Design
- Adjustable Packing Gland
- 600 psig CWP, Non-Shock
- NPT and Solder Union Connection
- Vacuum Service to 29 in. Hg
- 70LF-300/400 Feature EZ-Solder™ Lead Free Bronze
- **Proudly Made in USA**

DIMENSIONS

PART NUMBER	LF PART NUMBER	SIZE (IN.)	DIMENSIONS (IN.)				
			A	B	C	D	E
NPT X NPT							
70-301-01	-	1/4	0.37	1.90	2.93	1.75	3.87
70-302-01	-	3/8	0.37	1.90	2.93	1.75	3.87
70-303-01	70LF-303-01	1/2	0.50	2.00	3.09	1.75	3.87
70-304-01	70LF-304-01	3/4	0.68	2.46	3.96	2.12	4.87
70-305-01	70LF-305-01A	1	0.87	2.84	4.52	2.25	4.87
70-306-01	70LF-306-01	1-1/4	1.00	2.68	4.68	2.62	5.50
70-307-01	70LF-307-01	1-1/2	1.25	2.87	5.06	3.05	8.00
70-308-01	70LF-308-01	2	1.50	3.25	5.59	3.24	8.00
SOLDER X SOLDER							
70-403-01	-	1/2	0.50	2.00	3.43	1.75	3.87
70-404-01	70LF-404-01	3/4	0.68	2.62	4.56	2.06	4.78
70-405-01	70LF-405-01A	1	0.87	2.87	5.66	2.25	4.78
70-406-01	70LF-406-01	1-1/4	1.00	2.87	5.18	2.62	5.50
70-407-01	70LF-407-01	1-1/2	1.25	2.92	5.53	3.10	8.00
70-408-01	70LF-408-01	2	1.50	3.50	6.75	3.24	8.00

NOTE: 1/4", 3/8", and 1/2" are full port.

77CLF-300-A SERIES FULL PORT BALL VALVE WITH FNPT x UNION END



The Apollo 77CLF300 Series Union End Ball Valve features dezincification resistant lead free bronze body, generously sized RPTFE seats and stem packing, and a lead free "solid ball" design that delivers true full-port flow performance.

FEATURES

- Lead Free Brass & Bronze Materials Easily Identifiable Blue "Lead Free" Hang Tag
- Reinforced RPTFE Seats & Seals
- **Proudly Made in USA**

PERFORMANCE RATING

- Maximum Pressure: 600 psi CWP
- Maximum Temperature: 180°F
- Vacuum Service to 29 in. Hg

APPROVALS

- MSS SP-110 - Ball Valves
- NSF/ANSI/CAN 61 - Water Quality
- NSF/ANSI/CAN 372 - Lead Free
- CRN: OC10908.5C

OPTIONS

- (-01) Standard Lever(-04) 2-1/4" Stem Extension
- (-07) Tee Handle
- (-10) S.S. Handle and Nut
- (-11) Therma-Seal™ Insulating Tee Handle
- (-27) Locking Handle

DIMENSIONS

PART NUMBER	SIZE (IN.)	DIMENSIONS (IN.)					WT (LB.)
		A	B	C	D	E	
70LF30301*	1/2	0.50	2.00	3.09	1.75	3.87	0.99
77CLF30401A	3/4	0.75	2.26	3.59	1.92	3.97	1.34
77CLF30501A	1	1.00	2.55	4.17	2.24	4.76	2.36
77CLF30601A	1-1/4	1.25	2.71	4.55	2.46	4.76	5.07
77CLF30701A	1-1/2	1.50	3.17	5.23	2.90	5.41	4.96
77CLF30801A	2	2.00	3.49	5.91	3.68	7.76	10.06

*1/2" size only is available as model 70LF300, full-port bronze construction.