

71-AR SERIES

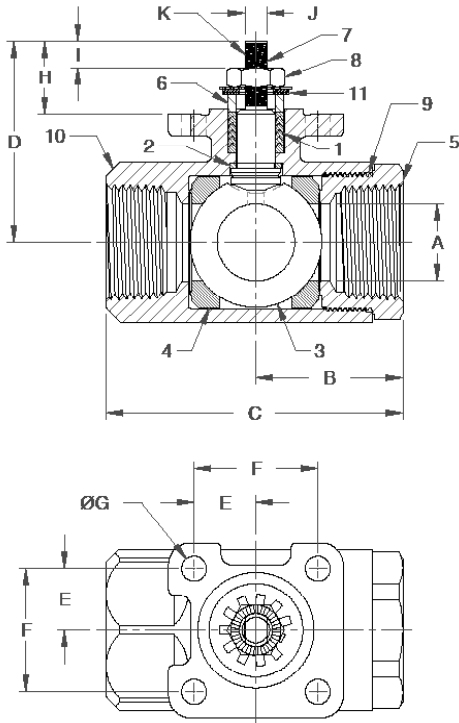
BRONZE STANDARD PORT BALL VALVE
W/ ACTUATOR READY ISO MOUNTING PAD



Female NPT Thread, 600 CWP (psig), Cold Non-Shock. (See referenced P/T chart)
250 psig Saturated Steam.
Vacuum Service to 29 inches Hg.
MSS SP-110 Compliant.

FEATURES

- Multi-piece packing set
- ISO 5211 mounting pad
- Stainless ball & stem
- Blowout-proof stem design
- Adjustable packing gland
- Live loaded packing



OPTIONS AVAILABLE

(MORE INFORMATION IN SECTION J)

- Minimum quantities apply
- To specify an option, replace the "01" standard suffix with the suffix of the option.
- To specify multiple options, replace the "01" suffix with the desired suffixes in the numerical order shown below. NOTE: Not all suffixes can be combined together.

(SUFFIX)	OPTION	SIZES
-64	Standard Configuration (Bare Stem)	All
-14-	Vented Ball	All
-24-	Graphite Packing	3/4" to 2"
-27-	Latch Lock Handle	All
-35-	PTFE Seats	All
-57-	Oxygen Cleaned	All

STANDARD MATERIAL LIST

	PART	MATERIAL
1	Stem packing	MPTFE
2	Stem bearing	PEEK/PTFE
3	Ball	316 SS
4	Seat (2)	MPTFE
5	Retainer	B16 Brass (3/4" to 1") B584-C84400 (1-1/4" to 3")
6	Gland	B16 Brass
7	Stem	316 SS
8	Jam nut	SS
9	Body seal	PTFE (1-1/4" to 3")
10	Body	B584-C84400
11	Bellville Washers(s)	Stainless Steel

Pressure/Temperature Ratings - Page M-10, Graph No. 4

DIMENSIONS

PART NO.	SIZE	A	B	C	D	E	F	G	H	I	J (FLATS)	K (THREADS) UNF	WT.
71-AR4-64	3/4"	0.68	1.50	3.00	2.16	0.70	1.39	0.28	0.84	0.37	.247/.249	3/8-24	1.38
71-AR5-64	1"	0.87	1.68	3.37	2.28	0.70	1.39	0.28	0.82	0.37	.247/.249	3/8-24	1.76
71-AR6-64	1-1/4"	1.00	1.98	3.97	2.92	0.98	1.95	0.34	1.16	0.37	.370/.372	5/8-18	3.51
71-AR7-64	1-1/2"	1.25	2.18	4.34	3.16	0.98	1.95	0.34	1.16	0.37	.370/.372	5/8-18	4.40
71-AR8-64	2"	1.50	2.34	4.68	3.32	0.98	1.95	0.34	1.16	0.37	.370/.372	5/8-18	5.89
71-AR9-64	2-1/2"	2.00	3.12	6.25	3.85	0.98	1.95	0.34	1.16	0.37	.370/.372	5/8-18	14.12
71-AR0-64	3"	2.50	3.37	6.75	4.18	0.98	1.95	0.34	1.16	0.37	.370/.372	5/8-18	18.55