

Female NPT Thread, 3000 CWP (psig), Cold Non-Shock Body rating. (See referenced P/T chart)
 150 psig Saturated Steam.
 Vacuum Service to 29 inches Hg.
 MSS SP-110 Compliant.

FEATURES

- Forged body design
- Reinforced seats
- Fire safe “by design” (requires -24 suffix)
- Zinc phosphate corrosion protection
- Adjustable packing gland
- Full port
- Blowout-proof stem design
- Heavy duty lever

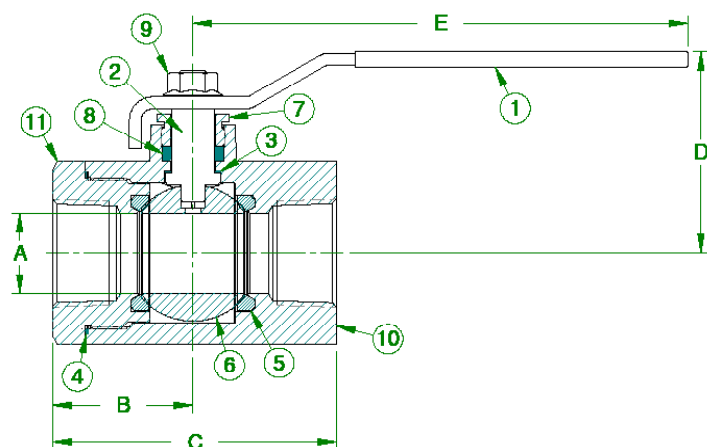
VARIATIONS AVAILABLE

- 72-140 Series (316 SS Ball & Stem. NACE MR0175 (2000) & MR0103 (2003) compliant)

OPTIONS AVAILABLE

(MORE INFORMATION IN SECTION J)

- Minimum quantities apply
- To specify an option, replace the “01” standard suffix with the suffix of the option.
- To specify multiple options, replace the “01” suffix with the desired suffixes in the numerical order shown below. NOTE: Not all suffixes can be combined together.



STANDARD MATERIAL LIST

	PART	MATERIAL
1	Lever and grip	Steel, zinc plated w/vinyl
2	Stem	A108-Carbon Steel
3	Stem bearing	RPTFE
4	Retainer seal	RPTFE
5	Seat (2)	RPTFE
6	Ball	ASTM A108, Carbon Steel, Chrome Plated or ASTM A276, Type 316 Stainless Steel
7	Gland nut	A108-Carbon Steel
8	Stem packing	MPTFE
9	Lever nut	Steel, zinc plated
10	Body	A105-Carbon Steel
11	Retainer	A108-Carbon Steel

(SUFFIX)	OPTION	SIZES
-01	Standard Configuration	All
-02-	Stem Grounded	All
-04-	2-1/4" Stem Extension (Carbon Steel, Zinc Plated)	1" to 1-1/2"
-07-	Steel Tee Handle	1/2" to 1-1/2"
-08-	90° Reversed Stem	All
-10-	SS Lever & Nut	1-1/2" to 2"
-14-	Side Vented Ball (Uni-Directional)	All
-21-	UHMWPE Trim (Non-PTFE)	All
-24-	Graphite Packing (Fire Safe "By Design")	All
-27-	Latch Lock Handle	All
-45-	Less Lever & Nut	All
-49-	No Lubrication. Assembled Dry	All
-52-	Two Tack Welds	All
-53-	Three Tack Welds	All
-56-	Multifill Seats & Packing	All
-60-	Static Grounded Ball & Stem	All
-64-	250# Steam Trim (MPTFE Seats & Packing) Use with 316 SS Ball & Stem Variation	All
-65-	Multi Fill Seats & Graphite Packing	All
-67-	Cleaned for Industrial Gas	All
-78-	Delrin Seats, Graphite Packing	All
-79-	Nylon Seats, Graphite Packing	All
-UA-	AIS (American Iron & Steel) Compliant	All

Pressure/Temperature Ratings - Page M-15, Graph No. 15

VALVE RATING:

The lowest rating determines the valve's practical pressure limitation. Review the pressure-temperature rating for the valve's seat and the valve's body.

DIMENSIONS

PART NO.	SIZE	A	B	C	D	E	WT.
72-103-01A	1/2"	0.62	1.40	2.78	2.09	4.76	1.65
72-104-01A	3/4"	0.81	1.83	3.66	2.27	4.76	2.87
72-105-01A	1"	1.00	1.99	3.98	2.94	7.76	4.68
72-106-01A	1-1/4"	1.25	2.20	4.45	3.17	7.76	7.52
72-107-01A	1-1/2"	1.50	2.59	5.09	3.36	7.76	10.62
72-108-01A	2"	2.00	2.91	5.76	4.21	9.91	17.41