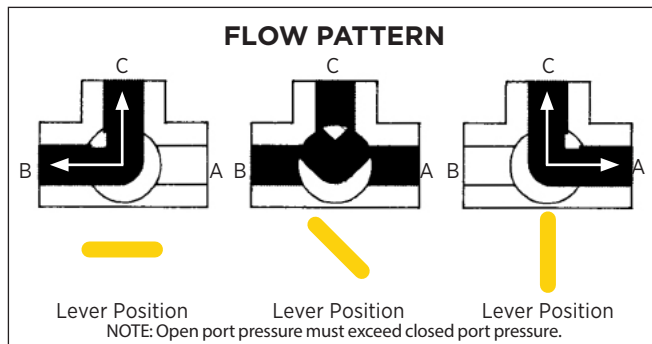


Female NPT Thread, 800 CWP (psig), Cold Non-Shock.

FEATURES

- Reinforced seats
- Meets NACE MR0175 (2000) & MR0103 (2012)
- Blowout-proof stem design
- Adjustable packing gland
- Investment cast body
- NSF/ANSI/CAN 61, Annex G



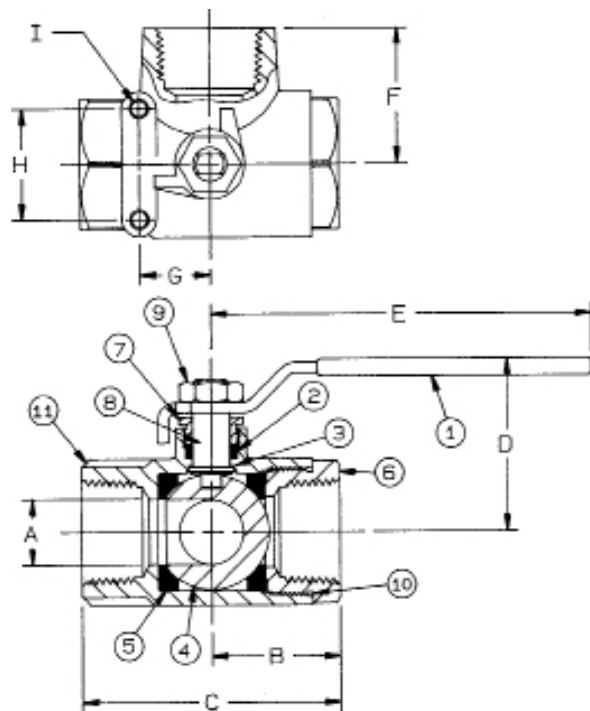
OPTIONS AVAILABLE

(MORE INFORMATION IN SECTION J)

- Minimum quantities apply
- To specify an option, replace the "01" standard suffix with the suffix of the option.
- To specify multiple options, replace the "01" suffix with the desired suffixes in the numerical order shown below. NOTE: Not all suffixes can be combined together.

(SUFFIX)	OPTION	SIZES
-01	Standard Configuration	All
-P-01-	BSPP (Parallel) Thread Connection	1/4" to 2"
-T-01-	BSPT (Tapered) Thread Connection	1/4" to 2"
-02-	Stem Grounded	1/4" to 2"
-04-	2-1/4" Stem Extension (Carbon Steel, Zinc Plated)	1/4" to 2"
-21-	UHMWPE Seats (Non-PTFE)	1/4" to 2"
-24-	Graphite Packing	1/4" to 2"
-27-	SS Latch-Lock Lever & Nut	1/4" to 2"
-35-	PTFE Trim	1/4" to 2"
-49-	No Lubrication. Assembled Dry.	1/4" to 2"
-50-	2-1/4" CS Locking Stem Extension	1/4" to 2"
-56-	Multifill Seats & Packing	1/4" to 2"
-57-	Oxygen Cleaned	1/4" to 2"
-60-	Grounded Ball & Stem	1/4" to 2"

Pressure/Temperature Ratings - Page M-18, Graph No. 21



STANDARD MATERIAL LIST

	PART	MATERIAL
1	Lever and grip	304 SS w/vinyl
2	Stem packing	MPTFE
3	Stem bearing	RPTFE
4	Ball	A276-316
5	Seat (2)	RPTFE
6	Retainer	A276-316 (1/4" to 1") A351-CF8M (1-1/2" to 2")
7	Gland nut	A276-316
8	Stem	A276-316
9	Lever nut	18-8 SS
10	Body seal (1-1/2" to 2")	PTFE
11	Body	A351-CF8M

DIMENSIONS

PART NO.	SIZE	A	B	C	D	E	F	G	H	I	WT.
76-601-01A	1/4"	0.437	1.12	2.32	1.80	3.88	1.18	0.875	1.375	10-24	0.70
76-602-01A	3/8"	0.437	1.12	2.32	1.80	3.88	1.18	0.875	1.375	10-24	0.68
76-603-01A	1/2"	0.505	1.12	2.32	1.80	3.88	1.18	0.875	1.375	10-24	0.75
76-604-01A	3/4"	0.687	1.46	2.96	2.06	4.78	1.50	0.875	1.375	10-24	1.45
76-605-01A	1"	0.875	1.65	3.32	2.15	4.78	1.68	0.875	1.375	10-24	1.86
76-607-01A	1-1/2"	1.265	2.17	4.34	3.03	5.43	2.40	0.937	1.500	1/4-20	4.67
76-608-01A	2"	1.515	2.73	5.43	3.22	5.43	2.81	0.937	1.500	1/4-20	7.02