

# 76-AR SERIES

STAINLESS STEEL STD. PORT BALL VALVE  
W/ ACTUATOR READY ISO MOUNTING PAD

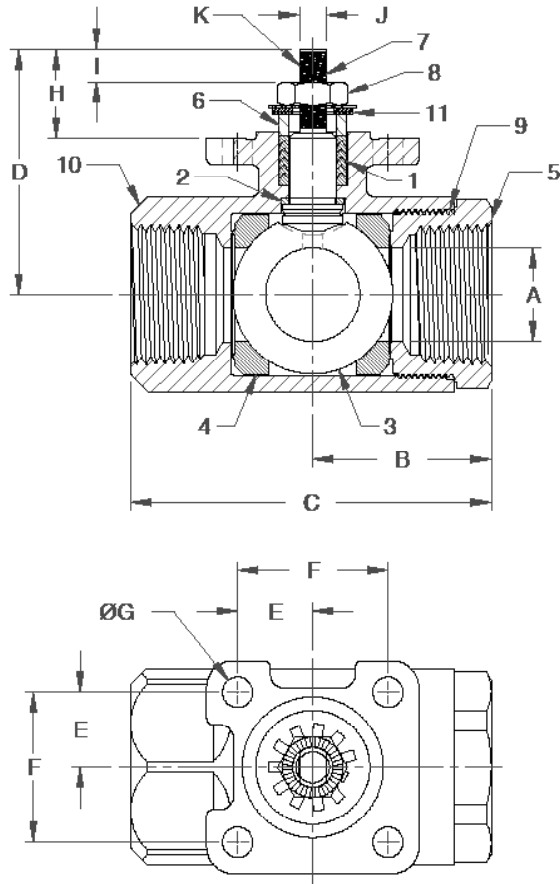


Female NPT Thread, 1/4"-1" 2000 CWP (psig), 1-1/4"-2" 1500 CWP (psig), 2-1/2"-3" 1000 CWP (psig). Cold Non-Shock.  
250 psig Saturated Steam. (See referenced P/T chart)  
Vacuum Service to 29 inches Hg.  
MSS SP-110 Compliant.

## FEATURES

- Multi-piece packing set
- ISO 5211 mounting pad
- Blowout-proof stem design

- Fire safe "by design" (requires -24 suffix)
- Adjustable packing gland
- Live loaded packing



## OPTIONS AVAILABLE

(MORE INFORMATION IN SECTION J)

- Minimum quantities apply
- To specify an option, replace the "01" standard suffix with the suffix of the option.
- To specify multiple options, replace the "01" suffix with the desired suffixes in the numerical order shown below. NOTE: Not all suffixes can be combined together.

(SUFFIX)	OPTION	SIZES
-64	Standard Configuration (Bare Stem)	All
-14-	Vented Ball	All
-24-	Graphite Packing (Fire Safe "By Design")	All
-27-	Latch Lock Handle	1/4" to 2"
-35-	PTFE Seats	All
-49-	No Lubrication. Assembled Dry.	All
-57-	Oxygen Cleaned	All

## STANDARD MATERIAL LIST

	PART	MATERIAL
1	Stem packing	MPTFE
2	Stem bearing	PEEK/PTFE
3	Ball	316 SS
4	Seat (2)	MPTFE
5	Retainer	A276-316 (1/4" to 1") A351-CF8M (1-1/4" to 3")
6	Gland	A276-316
7	Stem	A276-316
8	Jam nut	SS
9	Body seal	PTFE (1-1/4" to 3")
10	Body	A351-CF8M
11	Bellville Washers(s)	Stainless Steel

Pressure/Temperature Ratings -  
Page M-14, Graph No. 14 (1/4" to 1")  
Page M-13, Graph No. 12 (1-1/4" to 2")  
Page M-12, Graph No. 8 (2-1/2" to 3")

## DIMENSIONS

PART NO.	SIZE	A	B	C	D	E	F	G	H	I	J (FLATS)	K (THREADS) UNF	WT.
76-AR1-64	1/4"	0.37	1.02	2.04	1.40	0.59	1.17	0.28	0.61	0.18	.247/.249	3/8-24	0.52
76-AR2-64	3/8"	0.37	1.02	2.04	1.40	0.59	1.17	0.28	0.61	0.18	.247/.249	3/8-24	0.48
76-AR3-64	1/2"	0.50	1.12	2.23	1.54	0.59	1.17	0.28	0.61	0.16	.247/.249	3/8-24	0.58
76-AR4-64	3/4"	0.68	1.47	2.96	2.16	0.70	1.39	0.28	0.84	0.37	.247/.249	3/8-24	1.26
76-AR5-64	1"	0.87	1.66	3.34	2.28	0.70	1.39	0.28	0.82	0.37	.247/.249	3/8-24	1.62
76-AR6-64	1-1/4"	1.00	2.00	4.00	2.92	0.98	1.95	0.34	1.16	0.37	.370/.372	5/8-18	3.22
76-AR7-64	1-1/2"	1.25	2.18	4.34	3.16	0.98	1.95	0.34	1.16	0.37	.370/.372	5/8-18	4.06
76-AR8-64	2"	1.50	2.75	5.43	3.32	0.98	1.95	0.34	1.16	0.37	.370/.372	5/8-18	6.18
76-AR9-64	2-1/2"	2.00	3.12	6.25	3.85	0.98	1.95	0.34	1.16	0.37	.370/.372	5/8-18	12.96
76-AR0-64	3"	2.50	3.37	6.75	4.18	0.98	1.95	0.34	1.16	0.37	.370/.372	5/8-18	17.06