

77-AR SERIES

BRONZE FULL PORT BALL VALVE
W/ ACTUATOR READY ISO MOUNTING PAD

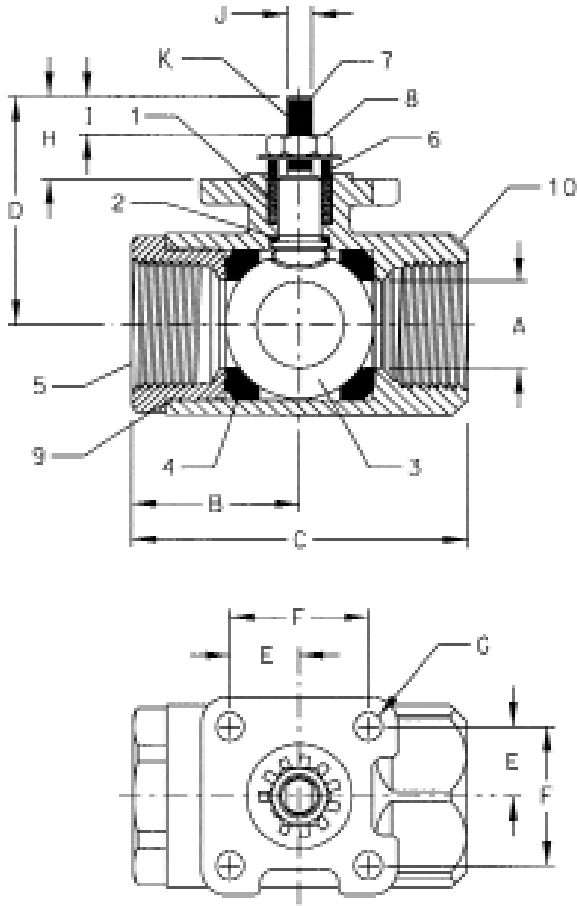


Female NPT Thread, 600 CWP (psig), Cold Non-Shock. (See referenced P/T chart).
250 psig Saturated Steam.
Vacuum Service to 29 inches Hg.
MSS SP-110 Compliant.

FEATURES

- Multi-piece packing set
- ISO 5211 mounting pad
- Stainless ball & stem

- Blowout-proof stem design
- Adjustable packing gland
- Live loaded packing



OPTIONS AVAILABLE

(MORE INFORMATION IN SECTION J)

- Minimum quantities apply
- To specify an option, replace the "01" standard suffix with the suffix of the option.
- To specify multiple options, replace the "01" suffix with the desired suffixes in the numerical order shown below. NOTE: Not all suffixes can be combined together.

(SUFFIX)	OPTION	SIZES
-64	Standard Configuration (Bare Stem)	All
-14-	Vented Ball	All
-24-	Graphite Packing	All
-27-	Latch Lock Handle	All
-35-	PTFE Seats	All
-49-	No Lubrication. Assembled Dry.	All
-57-	Oxygen Cleaned	All

Pressure/Temperature Ratings - Page M-10, Graph No. 4

STANDARD MATERIAL LIST

	PART	MATERIAL
1	Stem packing	MPTFE
2	Stem bearing	PEEK/PTFE
3	Ball	316 SS
4	Seat (2)	MPTFE
5	Retainer	B16 Brass (1/4" to 1") B584-C84400 (1-1/2" to 2")
6	Gland	B16 Brass
7	Stem	A276-316
8	Jam nut	SS
9	Body seal	PTFE (1-1/2" to 2")
10	Body	B584-C84400
11	Belleville washer(s)	Stainless Steel

DIMENSIONS

PART NO.	SIZE	A	B	C	D	E	F	G	H	I	J (FLATS)	K (THREADS) UNF	WT.
77-AR1-64	1/4"	0.37	1.02	2.18	1.40	0.61	1.17	0.28	0.61	0.23	.247/.249	3/8-24	0.60
77-AR2-64	3/8"	0.37	1.02	2.18	1.40	0.61	1.17	0.28	0.61	0.23	.247/.249	3/8-24	0.57
77-AR3-64	1/2"	0.50	1.12	2.20	1.54	0.61	1.17	0.28	0.61	0.21	.247/.249	3/8-24	0.62
77-AR4-64	3/4"	0.86	1.68	3.12	2.28	0.70	1.39	0.28	0.84	0.31	.247/.249	3/8-24	1.76
77-AR5-64	1"	1.00	1.81	3.62	2.87	0.98	1.95	0.34	1.06	0.40	.370/.372	5/8-18	3.44
77-AR7-64	1-1/2"	1.50	2.37	4.75	3.37	0.98	1.95	0.34	1.16	0.37	.370/.372	5/8-18	6.25
77-AR8-64	2"	2.00	2.69	5.38	3.86	0.98	1.95	0.34	1.16	0.37	.370/.372	5/8-18	11.72

REV. 20JAN17