

77-900 SERIES

FULL PORT SAE STRAIGHT-THREAD BALL VALVE

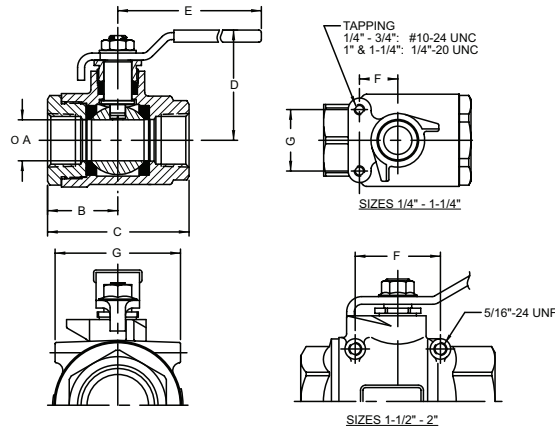


Valve connections are designed for extended leak-free and energy saving performance in a broad range of applications, especially in manufacturing environments.

FEATURES

- Mounting Pad for Easy Actuation
- 600 CWP Non-Shock
- 150 SWP
- ASTM B584 Bronze
- SAE J1926-1 (ISO 11926-1) Connections
- RPTFE Seats & Packing
- Blowout-Proof Stem and Lever Handle Standard
- Adjustable Packing Gland
- Full Port
- Straight Thread with O-Ring Boss Connection
- **Proudly Made in USA**

DIMENSIONS



PART NUMBER	NOM. TUBE O.D. (IN.)	SIZE (IN.)	DIMENSIONS (IN.)						
			A	B	C	D	E	F	G
77-901-01	1/4	7/16-20	0.43	1.12	2.25	1.81	3.87	0.50	1.12
77-902-01	3/8	9/16-18	0.50	1.12	2.25	1.81	3.87	0.50	1.12
77-903-01	1/2	3/4-16	0.50	1.12	2.25	1.81	3.87	0.50	1.12
77-904-01	3/4	11/16-12	0.81	1.56	3.12	2.12	4.87	0.87	1.37
77-905-01	1	15/16-12	1.00	1.81	3.62	2.62	5.50	0.93	1.50
77-906-01	1-1/4	1-5/8-12	1.25	2.12	4.25	2.87	5.50	0.93	1.50
77-907-01	1-1/2	1-7/8-12	1.50	2.37	4.75	3.34	8.00	2.08	3.06
77-908-01	2	2-1/2-12	2.00	2.65	5.37	3.71	8.00	2.41	3.52

Actuation assistance available in Section D, with the Apollo Actuator Wizard located at actuatorwizard.apollovalves.com or by calling customer support at (704)841-6000.

77D SERIES

BRONZE BALL VALVE W/ DIRECT ISO MOUNTING PAD



Apollo's solid stainless steel ball design in a bronze valve with an integral ISO 5211 mounting pad with 100% American construction.

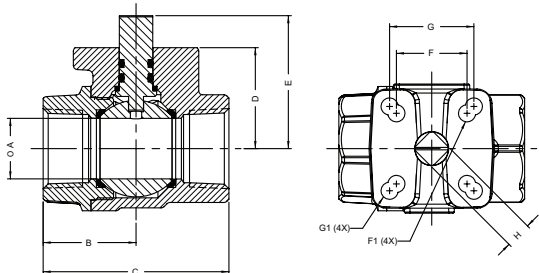
FEATURES

- 600 CWP Pressure Rating
- Multi-Fill Seats and Stem Bearing
- Blowout-Proof Stem Design
- Vacuum Service to 29 in. Hg
- High Cycle Dual O-Ring Stem Seal Design
- EPDM is Standard. Most Liquids and Gases are Compatible with the O-Ring Seals
- Ball is Slot Vented to Equalize Cavity and Line Pressure
- MSS SP-110 Compliant
- Direct Mount Actuator Ready
- **Proudly Made in USA**

SEATS

SUFFIX	MATERIAL	TEMP RANGE	STEAM (MAX)
-01E (Standard)	EPDM	-20 to 400°F	150 SWP @ 366°F
-01N	Nitrile	-20 to 250°F	15 SWP @ 250°F
-01V	Viton	-20 to 400°F	50 SWP @ 297°F

DIMENSIONS



PART NUMBER	SIZE (IN.)	DIMENSIONS (IN.)									
		A	B	C	D	E	F	ØF1	G	ØG1	H
77D-143-01E	1/2	0.50	1.15	2.25	1.00	1.37	0.997	0.224	1.167	0.281	0.275
77D-144-01E	3/4	0.75	1.33	2.65	1.38	1.79	1.167	0.281	1.392	0.281	0.275
77D-145-01E	1	1.00	1.54	3.07	1.67	2.20	1.167	0.281	1.392	0.281	0.430
77D-147-01E	1-1/2	1.50	2.12	4.23	2.31	3.05	N/A	N/A	1.949	0.344	0.551
77D-148-01E	2	2.00	2.43	4.85	2.68	3.43	N/A	N/A	1.949	0.344	0.551