

77F/77FLF SERIES FULL PORT FORGED BRASS BALL VALVE



LARGE DIAMETER

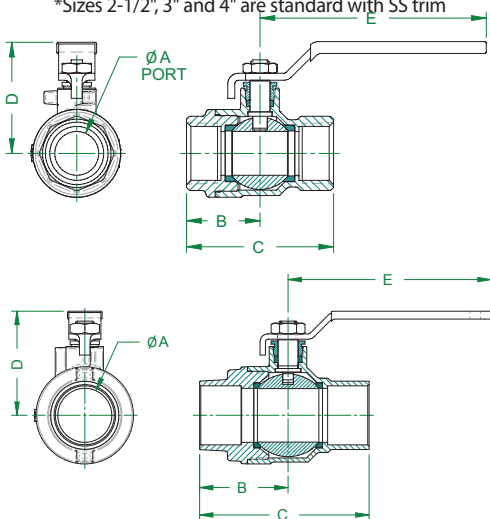


LARGE DIAMETER

OPTIONS

- (-01) Standard Lever and Trim
- (-04) 2-1/4" Stem Extension
- (-07) CS Tee Handle
- (-10) Stainless Steel Lever & Nut
- (-11) Thermo-Seal™ Insulating Tee
- (-27) Stainless Steel Locking Handle
- (-50) 2-1/4" Locking Stem Extension
- 77Fx-140/240 Stainless Steel Ball & Stem*

*Sizes 2-1/2", 3" and 4" are standard with SS trim



The Apollo 77F Series is a full port forged brass ball valve suitable for a wide range of plumbing and heating applications. These NPT threaded or solder, 2-piece valves combine reliable operation with maximum economy. Valves include most pertinent agency approvals.

Proudly Made in the USA.

77F FEATURES

- Heavy Pattern Forged Design
- Full Port Flow
- Superior RPTFE Seats and Packing
- Adjustable Stem Packing
- Blowout-Proof Stem
- Corrosion Resistant Materials
- 100% Factory Tested
- Popular Lever Options and

Stainless Steel Trim Available

- Silicone Free Assembly
- Made in USA, ARRA compliant
- Rating: 600 CWP (1/4" - 2")
- Rating: 400 CWP (2-1/2" - 4")
- **Steam Rating: 150 psi SWP**
- Vacuum Service to 29 in. Hg
- Large Diameter valves come standard with stainless steel trim.

77FLF FEATURES

- Easily Identifiable White Handle
- Grip and Blue "Lead Free" Hang Tag
- EZ-Solder™ Lead Free Brass
- Lead Free DZR Brass
- NSF/ANSI/CAN 61 - Water Quality

- NSF/ANSI/CAN 372 - Lead Free
- Rating: 600 CWP (1/4" - 2")
- Rating: 400 CWP (2-1/2" - 4")
- Steam Rating: 150 psi SWP
- Vacuum Service to 29 in. Hg
- Large Diameter valves come standard with stainless steel trim.

APPROVALS

- MSS SP-110
- IAPMO/ANSI Z1157

FM LISTED

- FM 1140 (<175 PSI) (1/4" - 2")

CSA LISTED

- CGA CR91-002 (5 PSI)
- ANSI Z21.15/CSA 9.1 (1/2 PSI)
- ASME B16.44 (5 PSI)
- ASME B16.33 (125 PSI) (1/2" - 2")

UL LISTED

- UL 125 - Flow Control Valves for LP-Gas, Guide YSDT to 250 psi max
- UL 258 - Fire Protection Trim & Drain, Guide VQGU to 175psi max (1/4" - 2")
- UL 842 - Valves for Flammable Fluids, Guides YRBX, YRPV, and MHKZ to 250 psi max. (1/4" - 4" NPT only)
- UL 1477 - Compressed Gas Shutoff Valves, Guide YQNZ to 250 psi max (1/4" - 4" NPT only)

*Gas approvals apply to NPT models only

DIMENSIONS

PART NUMBER	LF PART NUMBER	SIZE (IN.)	DIMENSIONS (IN.)					WT. (LB.)
			A	B	C	D	E	
NPT								
77F-101-01	77FLF-101-01	1/4"	0.38	0.81	1.62	1.61	2.85	0.3
77F-102-01	77FLF-102-01	3/8"	0.38	0.85	1.70	1.61	2.85	0.3
77F-103-01	77FLF-103-01	1/2"	0.50	1.14	2.25	1.66	2.85	0.5
77F-104-01	77FLF-104-01	3/4"	0.75	1.29	2.57	1.91	3.86	0.8
77F-105-01	77FLF-105-01	1"	1.00	1.60	3.20	2.11	3.86	1.3
77F-106-01	77FLF-106-01	1-1/4"	1.25	1.73	3.46	2.44	4.75	2.1
77F-107-01	77FLF-107-01	1-1/2"	1.50	2.00	4.00	2.91	5.42	3.2
77F-108-01	77FLF-108-01	2"	2.00	2.37	4.74	3.69	7.77	5.6
77F-149-01	77FLF-149-01	2-1/2"	2.50	2.99	5.98	4.14	7.77	12.8
77F-140-01	77FLF-140-01	3"	3.00	3.52	7.05	5.03	9.92	19.7
77F-14A-01	77FLF-14A-01	4"	4.00	3.83	7.65	5.70	14.78	25.5
SOLDER								
77F-203-01	77FLF-203-01	1/2"	0.50	1.37	2.37	1.66	2.85	0.4
77F-204-01	77FLF-204-01	3/4"	0.75	1.72	3.13	1.91	3.86	0.9
77F-205-01	77FLF-205-01	1"	1.00	2.01	3.73	2.11	3.86	1.3
77F-206-01	77FLF-206-01	1-1/4"	1.25	2.07	3.97	2.44	4.75	2.0
77F-207-01	77FLF-207-01	1-1/2"	1.50	2.42	4.69	2.91	5.42	3.3
77F-208-01	77FLF-208-01	2"	2.00	2.91	5.82	3.69	7.77	5.6
77F-249-01	77FLF-249-01	2-1/2"	2.50	3.68	7.05	4.14	7.77	11.6
77F-240-01	77FLF-240-01	3"	3.00	4.26	8.15	5.03	9.92	19.3
77F-24A-01	77FLF-24A-01	4"	4.00	4.82	9.57	5.70	14.78	25.6