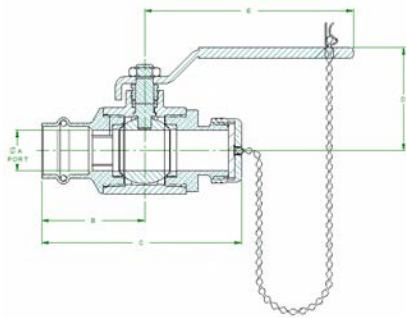


77WCLF-HC SERIES

APOLLOPRESS® COPPER PRESS END BRONZE HOSE CAP & CHAIN BALL VALVE



Designed for direct mechanical connection to ASTM B88-Type K, L, and M copper tubing in the hard drawn condition for sizes 1/2"-3/4". Valves feature a 3/4" hose thread connection with heavy brass cap to protect the threads and is full pressure rated. Features copper retainers for maximum protection against corrosion and dezincification. Not for use with natural gas.

FEATURES

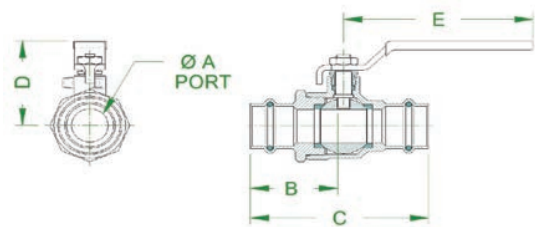
- Lead Free/Corrosion Resistant Materials
- Easily Identifiable Blue Lead Free Hang Tag
- Full Port
- Leak Before Press® Technology
- Adjustable Stem Packing
- Excellent for Hydronic Heating (50% Glycol max)
- Heavy Brass Dust Cover is Full Pressure Rated
- MSS SP-110 Ball Valves
- NSF/ANSI/CAN 61 - Water Quality
- NSF/ANSI/CAN 372 - Lead Free
- IAPMO PS-117 Press Connections
- ANSI/ASME B1.20.7 Hose Thread
- Popular Lever Options and SS Trim Available Including (-27) Locking Lever **NEW!**
- **Proudly Made in USA**

DIMENSIONS

PART NUMBER	SIZE (IN.)	DIMENSIONS (IN.)					WT. (LB.)
		A	B	C	D	E	
77WCLF103HC	1/2"	0.50	1.54	3.15	1.71	3.86	0.79
77WCLF104HC	3/4"	0.75	1.90	3.70	1.91	3.86	1.25

77V SERIES

APOLLOPRESS® BRASS BALL VALVE



The APOLLOPRESS® 77V Series two-piece press ball valve is ideal for installation in most HVAC systems. Features Leak Before Press® technology and 300 psig maximum working pressure. Proudly Made in the USA.

FEATURES

- 2 Piece, Heavy Pattern Forged Design
- Full Port Flow
- Max. Operating Pressure 300 psi **NEW!**
- Temperature Range: 0°F to 250°F
- Superior RPTFE Seats and Packing
- Adjustable Stem Packing
- Blowout-Proof Stem
- Corrosion Resistant Materials
- 100% Factory Tested
- MSS SP-110 Ball Valves
- IAPMO/ANSI Z1157 Ball Valves
- IAPMO PS-117 Press Connections
- Directive 2011/65/CE (RoHS)
- Popular Lever Options and SS Trim Available
- Large Diameter valves come standard with stainless steel trim.
- **Proudly Made in USA**

DIMENSIONS

PART NUMBER	SIZE (IN.)	DIMENSIONS (IN.)					WT. (LB.)
		A	B	C	D	E	
77V-103-01	1/2"	0.50	1.57	2.89	1.66	2.85	0.4
77V-104-01	3/4"	0.75	1.90	3.63	1.91	3.86	0.9
77V-105-01	1"	1.00	2.20	3.88	2.11	3.86	1.2
77V-106-01	1-1/4"	1.25	2.23	4.22	2.44	4.75	2.3
77V-107-01	1-1/2"	1.50	2.84	5.45	2.91	5.42	3.4
77V-108-01	2"	2.00	3.40	6.57	3.69	7.77	6.0
LARGE DIAMETER							
77V-149-01	2-1/2"	2.50	4.26	8.04	4.13	7.77	12.0
77V-140-01	3"	3.00	5.10	9.45	5.03	9.92	19.5
77V-14A-01	4"	4.00	5.20	10.35	5.70	14.78	26.0

LARGE DIAMETER

