

7A-130-26 SERIES

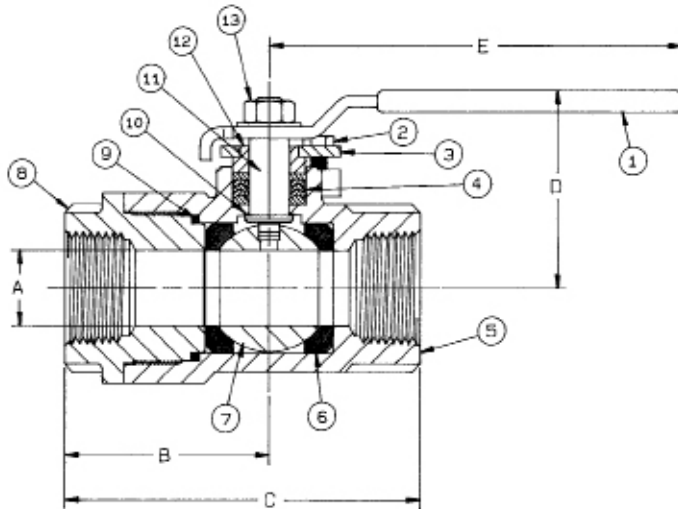
CARBON STEEL DRY CHLORINE BALL VALVE W/ NI-CU BALL & STEM



Female NPT Thread. 400 CWP (psig), Cold Non-Shock.
 For Use With Dry Chlorine Gas and Dry Liquid.
 Complies With Recommendations of Chlorine Institute Pamphlet No. 6.
 MSS SP-110 Compliant.

FEATURES

- Chevron style stem packing
- Ni-Cu ball and stem
- Investment cast parts
- Zinc phosphate corrosion protection
- Blowout-proof stem design
- Bolted, adjustable packing gland
- Vented ball



STANDARD MATERIAL LIST

	PART	MATERIAL
1	Lever and grip	304 SS w/vinyl
2	Bolt (2)	Zinc Plated Steel
3	Gland plate	304 SS
4	Packing set	PTFE, Chevron style
5	Body	A216-WCB
6	Seats (2)	RPTFE
7	Ball	B164
8	Retainer	A216-WCB
9	Body seal	RPTFE
10	Stem bearing	RPTFE
11	Stem	B164
12	Packing gland	A276-316
13	Lever nut	18-8 SS

Pressure/Temperature Ratings - Page M-16, Graph No. 17

DIMENSIONS

PART NO.	SIZE	A	B	C	D	E	WT.
7A-131-26	1/4"	0.43	1.56	2.75	1.93	3.87	1.25
7A-132-26	3/8"	0.50	1.56	2.75	1.93	3.87	1.21
7A-133-26	1/2"	0.50	1.56	2.75	1.93	3.87	1.14
7A-134-26	3/4"	0.68	2.00	3.50	2.31	4.87	2.11
7A-135-26	1"	0.87	2.37	4.12	2.43	4.87	2.94
7A-136-26	1-1/4"	1.00	2.24	4.24	3.00	5.50	4.40
7A-137-26	1-1/2"	1.25	2.65	5.13	3.38	8.00	7.04
7A-138-26	2"	1.50	3.25	6.00	3.67	8.00	10.86