

7H-800 SERIES

M x F STAINLESS STEEL FULL PORT HYDRO BALL VALVE

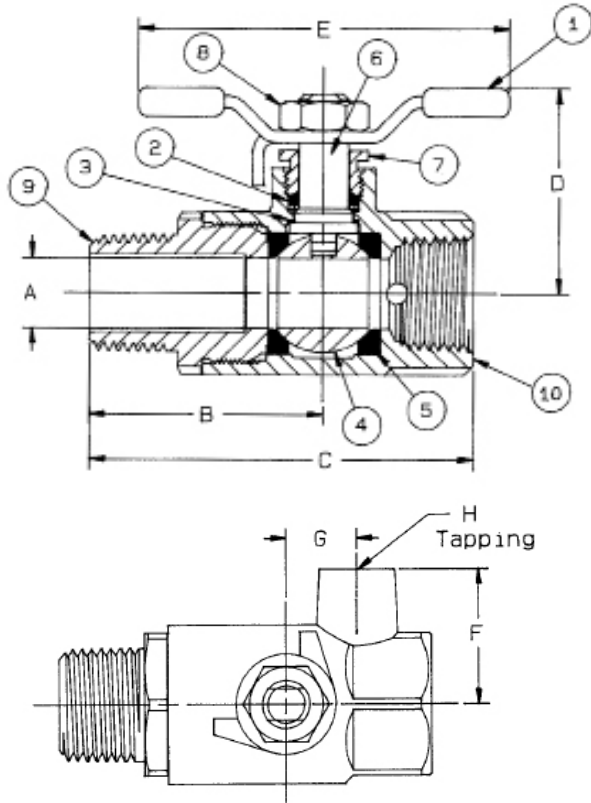


Male x Female NPT Thread, 800 CWP (psig), Cold Non-Shock.
 125 psig Saturated Steam.
 Vacuum Service to 29 inches Hg.
 MSS SP-110 Compliant.

FEATURES

- 316 SS ball & stem
- MPTFE packing
- PTFE seats

- Blowout-proof stem design
- Adjustable packing gland
- Threaded drain port



OPTIONS AVAILABLE

(MORE INFORMATION IN SECTION J)

- Minimum quantities apply
- To specify an option, replace the "01" standard suffix with the suffix of the option.
- To specify multiple options, replace the "01" suffix with the desired suffixes in the numerical order shown below. NOTE: Not all suffixes can be combined together.

(SUFFIX)	OPTION	SIZES
-01	Standard Configuration	All
-31-	7H Series w/Boss NOT Drilled & Tapped	1/4" to 1"

Pressure/Temperature Ratings - Page M-18, Graph No. 21

STANDARD MATERIAL LIST

	PART	MATERIAL
1	T-handle & grip	SS
2	Stem packing	MPTFE
3	Stem bearing	RPTFE
4	Ball	A276-316
5	Seat (2)	PTFE
6	Stem	A276-316
7	Gland screw	A276-316
8	Lever nut	304 SS
9	Retainer	A276-316
10	Body	A351-CF8M

DIMENSIONS

PART NO.	SIZE	A	B	C	D	E	F	G	H	WT.
7H-801-01	1/4"	0.37	1.47	2.46	1.39	2.56	0.93	0.53	1/8 NPT	0.65
7H-802-01	3/8"	0.37	1.55	2.54	1.39	2.56	0.93	0.53	1/8 NPT	0.62
7H-803-01	1/2"	0.50	1.79	2.83	1.45	2.56	1.00	0.53	1/8 NPT	0.73
7H-804-01	3/4"	0.75	2.01	3.42	2.08	3.25	1.01	0.75	1/8 NPT	0.86
7H-805-01	1"	1.00	2.39	4.17	2.38	3.93	1.12	0.94	1/8 NPT	1.65