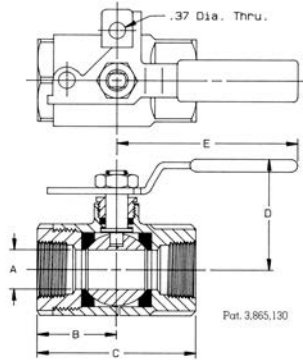
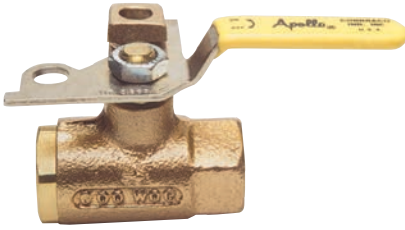


75-100-41 SERIES

PADLOCKING BALL VALVE WITH AUTOMATIC DRAIN



Meets OSHA standards and provides for easy, safe maintenance of pneumatic tools. Valve drains downstream pressure for safety when lever is closed. Valve can be padlocked OPEN or CLOSED with same hardware.

FEATURES

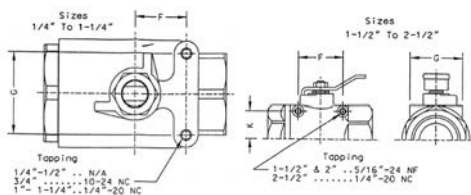
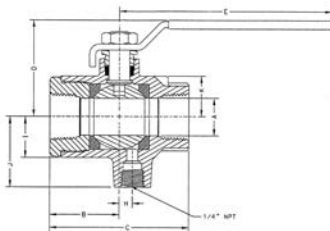
- Blowout-proof Stem Design
- Adjustable Packing Gland
- ASTM B584 Bronze
- RPTFE Seats and Stuffing Box Ring
- Pad Lock Lever
- Rated to 600 psi CWP - 150 SWP
- Temperature Range: 50°F to 200°F
- Valve Without Drain Option (suffix -01)
- **Proudly Made in USA**

DIMENSIONS

PART NUMBER	SIZE (IN.)	DIMENSIONS (IN.)				
		A	B	C	D	E
75-101-41	1/4	0.43	1.12	2.25	1.81	3.00
75-102-41	3/8	0.50	1.12	2.25	1.81	3.00
75-103-41	1/2	0.50	1.12	2.25	1.81	3.00
75-104-41	3/4	0.87	1.68	3.37	2.25	3.87
75-105-41	1	0.87	1.68	3.37	2.25	3.87
75-106-41	1-1/4	1.00	2.00	4.00	2.62	5.50
75-107-41	1-1/2	1.25	2.16	4.37	2.87	5.50
75-108-41	2	1.50	2.34	4.68	3.06	5.50

7K-100 SERIES

SAFETY EXHAUST VALVE W/ 1/4" NPT TAP FOR DRAIN



For use on pneumatic equipment. Furnished with a 1/4" NPT tapped drain to accommodate a muffler or to pipe the exhausted air to a safe location.

FEATURES

- Safely Vents Compressed Air (or Other Non-Hazardous Gases) From Piping Downstream of the Closed Valve
- Sizes 1/4" - 2-1/2"
- FNPT Threads
- Rated 125 psig, suitable application with air only
- Temperature Range: +50°F to +200°F
- Optional Stainless Steel Latch Lock Handle that Locks in Closed Position Only, Specify Suffix (-46)
- **Proudly Made in USA**

DIMENSIONS

PART NUMBER	SIZE (IN.)	DIMENSIONS (IN.)										
		A	B	C	D	E	F	G	H	I	J	K
7K-101-01	1/4	0.37	1.03	2.06	1.75	3.87	N/A	N/A	0.09	0.53	1.18	N/A
7K-102-01	3/8	0.37	1.03	2.06	1.75	3.87	N/A	N/A	0.09	0.53	1.18	N/A
7K-103-01	1/2	0.50	1.10	2.19	1.75	3.87	N/A	N/A	0.12	0.59	1.25	N/A
7K-104-01	3/4	0.81	1.56	3.12	2.12	4.78	0.87	1.37	0.29	0.90	1.56	0.90
7K-105-01	1	1.00	1.80	3.61	2.62	5.50	0.93	1.50	0.31	1.12	1.78	1.12
7K-106-01	1-1/4	1.25	2.12	4.25	2.87	5.50	0.93	1.50	0.37	1.37	2.03	1.37
7K-107-01	1-1/2	1.50	2.37	4.74	3.30	7.78	2.08	3.06	0.50	1.56	2.21	1.28
7K-108-01	2	2.00	2.70	5.38	3.71	7.78	2.41	3.52	0.62	2.03	2.68	1.56
7K-109-01	2-1/2	2.50	3.25	6.50	4.05	7.78	2.75	3.37	1.09	2.34	3.00	2.00

Also available in 70 & 77 Series as -41 option (without tapped drain)