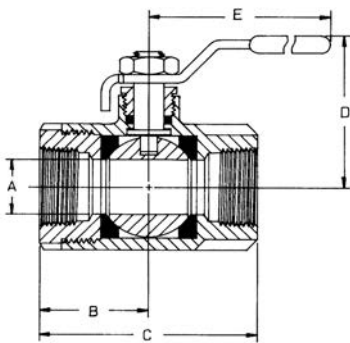
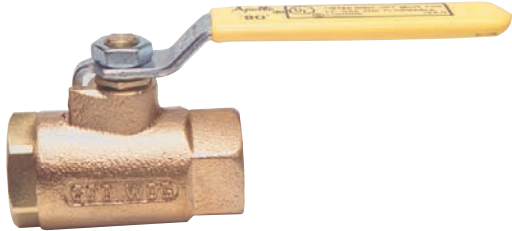


80 SERIES

UL LISTED GAS BRONZE SHUT-OFF VALVE



UL listed, heavy pattern, bronze shut-off valve for LP gas, natural gas, flammable liquids and heated oil. Features easy quarter-turn ON/OFF, a large port to reduce pressure drop and NPT connections.

FEATURES

- RPTFE Seats and Seals
- Rated 600 psig CWP, Non-Shock
- 250 psig LP Gas
- **Proudly Made in USA**

OPTIONS

- (-07) Tee Handle
- (-27) Latch Lock Handle
- (-57) Oxygen Cleaned
- 80-14x Series with 316 SS Ball & Stem

UL LISTED

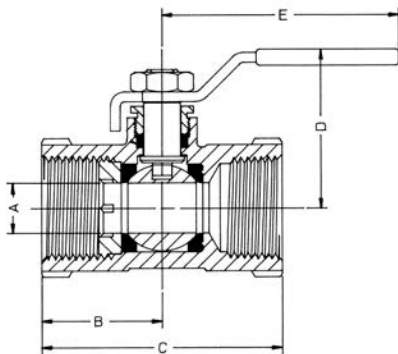
- UL 125 - Flow Control Valves for LP-Gas, Guide YSDT to 250 psi max
- UL 842 - Valves for Flammable Fluids, Guides YRBX, YRPV, and MHKZ to 250 psi max.
- UL 1477 - Compressed Gas Shutoff Valves, Guide YQNZ to 250 psi max

DIMENSIONS

PART NUMBER	SIZE (IN.)	DIMENSIONS (IN.)				
		A	B	C	D	E
80-101-01	1/4	0.37	1.03	2.06	1.75	3.87
80-102-01	3/8	0.37	1.03	2.06	1.75	3.87
80-103-01	1/2	0.50	1.12	2.25	1.81	3.87
80-104-01	3/4	0.68	1.50	3.00	2.12	4.87
80-105-01	1	0.87	1.68	3.37	2.25	4.87
80-106-01	1-1/4	1.00	2.00	4.00	2.62	5.50
80-107-01	1-1/2	1.25	2.18	4.37	2.87	5.50
80-108-01	2	1.50	2.34	4.68	3.06	5.50
80-109-01	2-1/2	2.50	3.25	6.50	4.12	8.00
80-100-01	3	2.50	3.37	6.75	4.12	8.00

90-A SERIES

UL LISTED UNIBODY BRONZE THREADED BALL VALVE



A compact 400 psig CWP valve that's UL listed for fuel, inert gases and flammable liquids. Features ASTM grade DZR bronze body, RPTFE seats and seals.

FEATURES

- Blowout-Proof Stem Design
- One Piece Bronze Body
- Reduced Port
- **Proudly Made in USA**

OPTIONS

- 90-14x with 316 SS Ball & Stem
- (-02) Static Grounded
- (-04) 2-1/4" Stem Extension
- (-05) Plain Ball
- (-07) Steel Tee Handle
- (-15) Steel Wheel Handle
- (-27) Latch Lock Handle
- (-57) Oxygen Cleaned

UL LISTED

- UL 842 - Valves for Flammable Fluids, Guides YRBX, YRPV, and MHKZ to 250 psi max.
- UL 1477 - Compressed Gas Shutoff Valves, Guide YQNZ to 250 psi max

DIMENSIONS

PART NUMBER	SIZE (IN.)	DIMENSIONS (IN.)				
		A	B	C	D	E
90-103-01A	1/2	0.37	1.14	2.15	1.68	3.87
90-104-01A	3/4	0.50	1.36	2.61	1.75	3.87
90-105-01A	1	0.62	1.50	2.90	2.00	4.87
90-106-01A	1-1/4	0.81	1.81	3.50	2.18	4.87
90-107-01A	1-1/2	1.00	2.06	3.79	2.62	5.50
90-108-01A	2	1.25	2.43	4.42	2.81	5.50