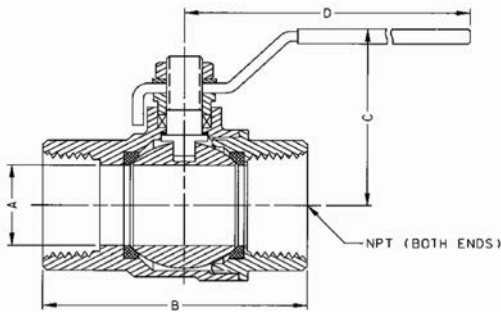
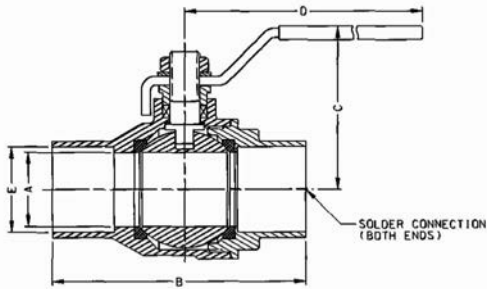


94A SERIES

ECONOMY FULL PORT BALL VALVE - APOLLO INTERNATIONAL™



NEW/EXPANDED LEVER OPTIONS CAN BE FOUND ON PAGE B-33

These full port ball valves with forged brass body are UL listed and CSA approved. Ideal for general purpose non-potable applications including air, gas, HVAC, irrigation, fire protection, etc.

FEATURES

- Adjustable Stem Packing Nut
- 600 CWP Non-Shock (1/4" - 2")
- 400 CWP Non-Shock (2-1/2" - 4")
- Temperature Range: -0°F to 400°F
- MSS SP-110 - Ball Valves
- **Stem Seal O-Ring (Solder Ver. 1/2" - 2") NEW!**
- 2-1/4" Stem Ext w/ Memory Stop Kit Option
- 100% Factory Tested
- Lead Free Option (94ALF-A)

CSA LISTED

(File # 226234) per the following standards:

- ANSI Z21.15 (1/2 psi) (CSA 9.1) (1/4" - 2")
- ASME B16.44 (5 psi) (CR91-002) (1/4" - 4")
- ASME B16.33 (125 psi) (CGA 3.16) (1/4" - 2")

FM LISTED

- FM 1140 Fire Protection Quick Opening Valves

UL LISTED

- UL 125 - Flow Control Valves for LP-Gas, Guide YSDT to 250 psi max
- UL 258 - Fire Protection Trim & Drain, Guide VQGU to 175psi max (1/4" - 2")
- UL 842 - Valves for Flammable Fluids, Guides YRBX, YRPV, and MHKZ to 250 psi max. (1/4" - 4" NPT only)
- UL 1477 - Compressed Gas Shutoff Valves, Guide YQNZ to 250 psi max (1/4" - 4" NPT only)

*Gas approvals apply to NPT models only

DIMENSIONS

PART NUMBER	SIZE (IN.)	DIMENSIONS (IN.)					WT. (LB.)
		A	B	C	D	E	
NPT							
94A-101-01	1/4"	0.39	1.76	1.73	3.54	-	0.3
94A-102-01	3/8"	0.39	1.76	1.73	3.54	-	0.3
94A-103-01	1/2"	0.58	2.05	2.04	3.54	-	0.4
94A-104-01	3/4"	0.75	2.36	2.26	3.78	-	0.7
94A-105-01	1"	0.95	2.76	2.58	4.53	-	1.1
94A-106-01	1-1/4"	1.26	3.31	3.05	4.53	-	1.6
94A-107-01	1-1/2"	1.58	3.66	3.37	5.51	-	2.4
94A-108-01	2"	1.97	4.18	3.70	6.30	-	3.4
94A-109-01	2-1/2"	2.52	5.38	4.65	8.66	-	7.6
94A-100-01	3"	2.95	6.04	4.97	8.66	-	9.3
94A-10A-01	4"	3.95	7.39	6.13	11.02	-	16.9
SOLDER							
94A-203-01	1/2"	0.58	2.05	1.84	3.54	0.63	0.4
94A-204-01	3/4"	0.75	2.75	2.14	3.78	0.88	0.7
94A-205-01	1"	0.95	3.31	2.45	4.53	1.13	1.1
94A-206-01	1-1/4"	1.26	3.82	3.04	4.53	1.38	1.4
94A-207-01	1-1/2"	1.58	4.43	3.17	5.51	1.63	2.2
94A-208-01	2"	1.97	5.38	3.49	6.30	2.13	3.0
94A-209-01	2-1/2"	2.52	6.28	4.66	8.66	2.63	6.4
94A-200-01	3"	2.95	7.15	4.87	8.66	3.13	8.5
94A-20A-01	4"	3.95	9.28	5.87	11.02	4.13	15.8