





# BKX Rigid Fixture Hangers

UNILETS® for Use with Threaded Rigid Metal Conduit and IMC.

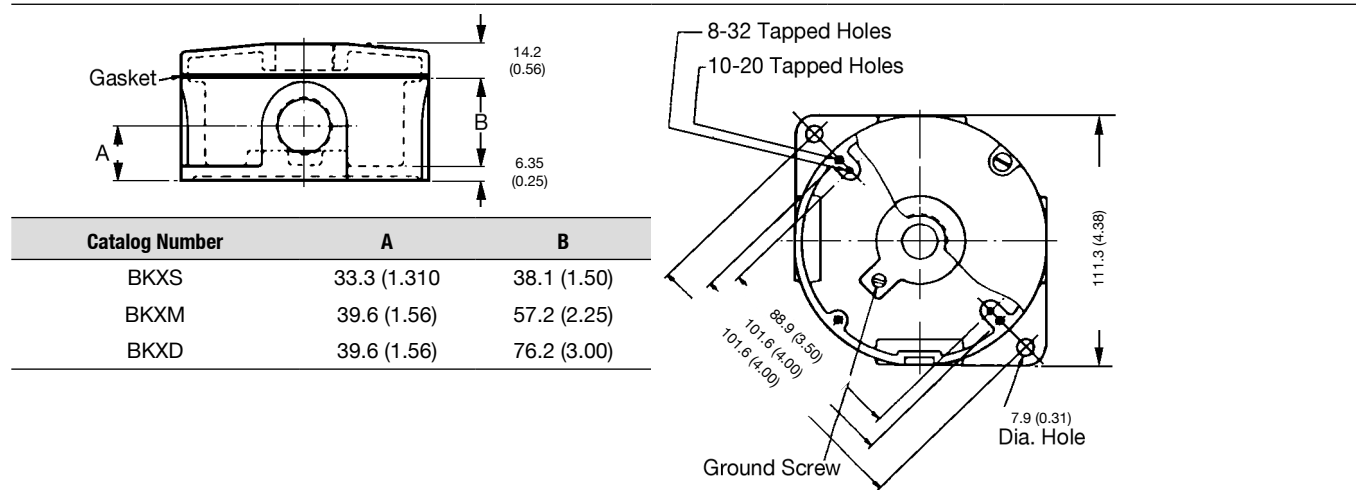
**CEC:**

Class II, Division 1 and 2, Groups E, F, G  
Class III,  
Enclosure 4

Furnished with gasketed cover, four threaded conduit entries and 2 close-up plugs

	Fixture Stem Size (Inches)	Hub Size (Inches)	Catalog Number			
			Enclosure Only Ferrous Alloy	Enclosure Only Aluminium	With Cover Gray Iron	With Cover Aluminium
<b>Shallow Box – 2-1/16</b>						
	1/2	1/2	BKXS-1	BKXS-1A	BKXS-11	BKXS-11A
	1/2	3/4	BKXS-2	BKXS-2A	BKXS-21	BKXS-21A
	3/4	3/4	BKXS-2	BKXS-2A	BKXS-22	BKXS-22A
<b>Medium Box – 2-11/16</b>						
	1/2	1/2	BKXM-1	BKXM-1A	BKXM-11	BKXM-11A
	1/2	3/4	BKXM-2	BKXM-2A	BKXM-21	BKXM-21A
	1/2	1	BKXM-3	BKXM-3A	BKXM-31	BKXM-31A
	3/4	3/4	BKXM-2	BKXM-2A	BKXM-22	BKXM-22A
	3/4	1	BKXM-3	BKXM-3A	BKXM-32	BKXM-32A
<b>Deep Box – 3-9/16</b>						
	1/2	1/2	BKXD-1	BKXD-1A	BKXD-11	BKXD-11A
	1/2	3/4	BKXD-2	BKXD-2A	BKXD-21	BKXD-21A
	1/2	1	BKXD-3	BKXD-3A	BKXD-31	BKXD-31A
	3/4	3/4	BKXD-2	BKXD-2A	BKXD-22	BKXD-22A
	3/4	1	BKXD-3	BKXD-3A	BKXD-32	BKXD-32A
<b>Covers with Gasket Attached</b>						
	1/2		—	—	CBK-1G	CBK-1GA
	3/4		—	—	CBK-2G	CBK-2GA

**Dimensions in Millimeters (Inches)**



POLES/HANGERS: NEC/CEC EXPLOSIONPROOF FLEXIBLE FIXTURE HANGERS

