

EFHC and EFHCA Fixture Hangers and Accessories

Explosionproof, Dust-Ignitionproof

UNILETS® for use with Threaded Metal Conduit.

NEC/CEC:

Class I, Division 1 and 2, Groups Aⓐ, BⓈ, C, D
 Class II, Division 1 and 2, Groups E, F, G
 Class III

POLES/HANGERS: NEC/CEC EXPLOSIONPROOF FLEXIBLE FIXTURE HANGERS

	Conduit Size (Inches)	Fixture Stem Size (Inches)	Catalog Number
--	-----------------------	----------------------------	----------------

EFHC Fixture Hanger



Class I, Groups BⓈ, C and D
 Class II, Groups E, F and G
 Class III

3/4	1/2	EFHC7550 ⬤		
3/4	3/4		EFHC7575 ⬤	
1	1/2			EFHC1050 ⬤
1	3/4			

EFHCA Fixture Hanger



Class I, Groups Aⓐ, B, C and D
 Class II, Groups E, F and G
 Class III

3/4	1/2	EFHCA7550 ①		
3/4	3/4		EFHCA7575 ①	
1	1/2			EFHCA1050 ①
1	3/4			

EFHC and EFHCA Connection Block Accessory – Porcelain



Designed to fit in hanger without fastening.
 2 Wire, 20 Amp 277 Volt
 Maximum Wire Size
 Two No. 10 AWG large terminal
 Two No. 14 AWG small terminal

CB202

EFHC and EFHCA Steel Mounting Strap



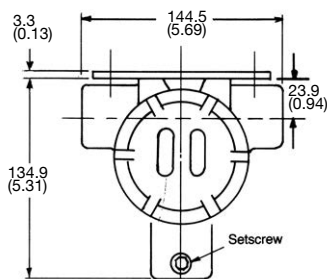
For fastening EFHC or EFHCA to a mounting surface.

Add suffix S to above EFHCA or EFHC catalog numbers.

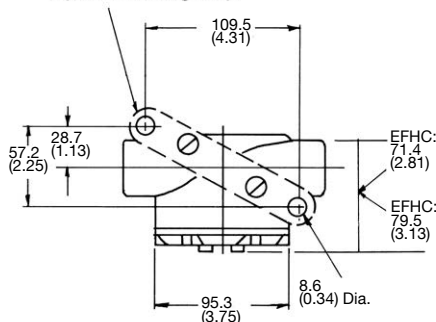
Add suffix **S**

Dimensions in Millimeters (Inches)

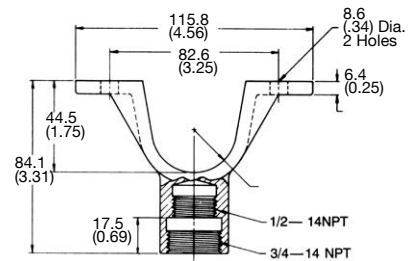
EFHCA and EFHC Fixture Hangers



Optional Mounting Strap



FHS Rigid Support



① Suitable for Class I, Groups A, B, C and D.

◆ Shaded area indicates items suitable for Class I, Groups B, C and D; Class II, Groups E, F and G; and Class III. Sealing fitting must be installed adjacent to enclosure for all conduits for Group B location (EFHC Series).