

Supports

Tripod - Model DT

Adjustable height tripod stands may be used with straight or curved sections of skatewheel and 11F roller conveyors. They are easily adjustable and very portable.

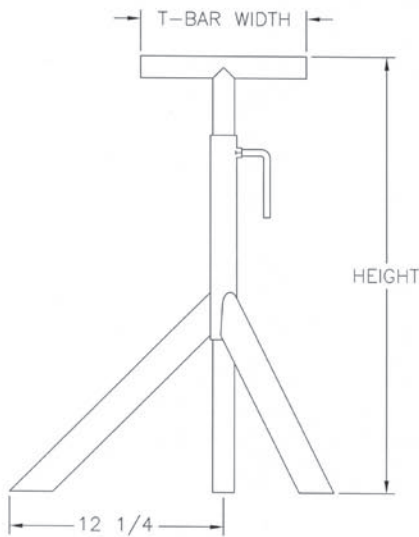
Construction:

T-Bar: 1-1/4" O.D. x 11 ga. steel

Legs: 12 ga. steel

Capacity: 400 Lbs.

Packaging: Shipped unassembled



Part Number	Height Range Top of Stand	Top of Wheel and Roller (12F/11F)	OAW of Conveyor	T-Bar Width	Wt. (Lbs.)
DT12S16T27	16" - 27"	17.7" - 27.7"	12"	9.5"	10
DT12S25T43	25" - 43"	26.7" - 44.7"			10.9
DT12S42T60	42" - 60"	43.7" - 61.7"			12.8

DT15S16T27	16" - 27"	17.7" - 27.7"	15"	12.5"	10.3
DT15S25T43	25" - 43"	26.7" - 44.7"			11.2
DT15S42T60	42" - 60"	43.7" - 61.7"			13.1

DT18S16T27	16" - 27"	17.7" - 27.7"	18"	15.5"	10.7
DT18S25T43	25" - 43"	26.7" - 44.7"			11.6
DT18S42T60	42" - 60"	43.7" - 61.7"			13.5

DT24S16T27	16" - 27"	17.7" - 27.7"	24"	21.5"	11.3
DT24S25T43	25" - 43"	26.7" - 44.7"			12.2
DT24S42T60	42" - 60"	43.7" - 61.7"			14.1