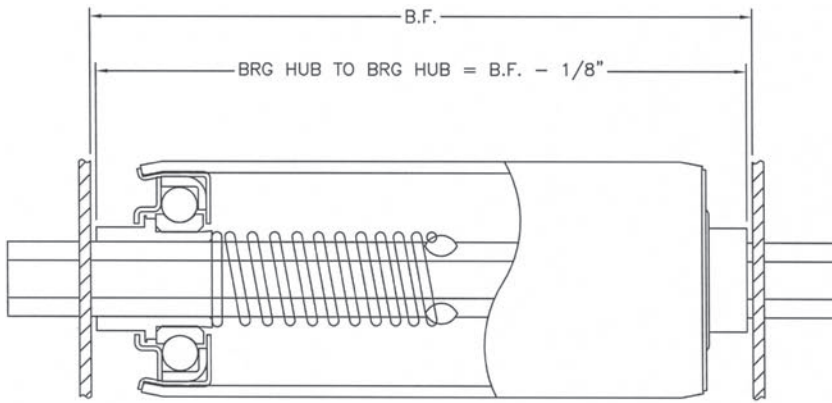


REPLACEMENT ROLLERS

SG

Roller 2-1/2" Dia. x 11 Ga. with 11/16" Hex Axle - Model SG



Part Number	BF	Wt. (lbs.)	Capacity (lbs.)
SG17	17"	7.37	850
SG18	18"	7.74	850
SG19	19"	8.11	850
SG20	20"	8.48	850
SG21	21"	8.85	850
SG22	22"	9.22	850
SG23	23"	9.59	850
SG24	24"	9.96	850
SG25	25"	10.33	850
SG27	27"	11.07	850
SG31	31"	12.55	850
SG33	33"	13.29	850
SG36	36"	14.40	846
SG37	37"	14.77	822
SG39	39"	15.51	777
SG43	43"	16.99	702
SG47	47"	18.46	640
SG51	51"	19.94	587
SG55	55"	21.42	543
SG59	59"	22.90	505
SG63	63"	24.38	472
SG67	67"	25.86	443
SG71	71"	27.34	417
SG75	75"	28.82	394

Construction:

Tube: 2-1/2" O.D. x 11 ga. **galvanized steel**

Axle: 11/16" hex steel

Bearing: Light oil, swaged

Axle Retention: Spring retained

Weight: 1.08 + (.37 x BF)

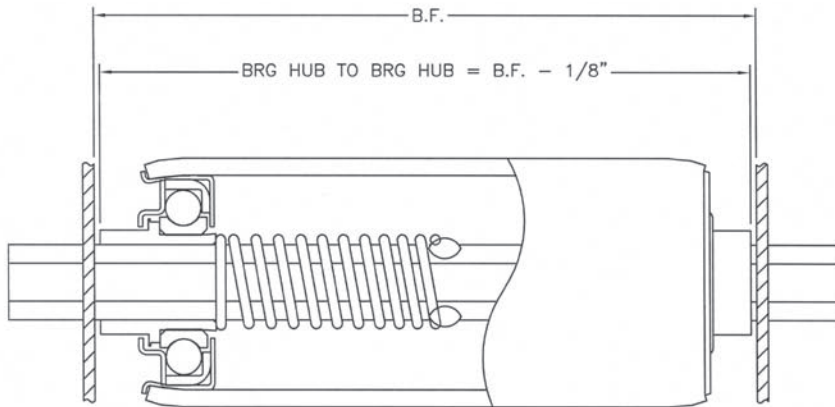
Shaft Length: BF+1-3/4"

Shorter, longer and in-between
BF's available.

Part Number	BF	Wt. (lbs.)	Capacity (lbs.)
SG07	7"	3.67	850
SG08	8"	4.04	850
SG09	9"	4.41	850
SG10	10"	4.78	850
SG11	11"	5.15	850
SG12	12"	5.52	850
SG13	13"	5.89	850
SG14	14"	6.26	850
SG15	15"	6.63	850
SG16	16"	7.00	850

T

Roller 2-5/8" Dia. x 7 Ga. with 11/16" Hex Axle - Model T



Part Number	BF	Wt. (lbs.)	Capacity (lbs.)
T18	18"	10.06	850
T19	19"	10.57	850
T20	20"	11.08	850
T21	21"	11.58	850
T22	22"	12.09	850
T23	23"	12.60	850
T24	24"	13.11	850
T25	25"	13.61	850
T27	27"	14.63	850
T31	31"	16.66	850
T33	33"	17.67	850
T36	36"	19.19	846
T37	37"	19.70	822
T39	39"	20.72	777
T43	43"	22.75	702
T47	47"	24.31	640
T51	51"	26.30	587
T55	55"	28.29	543
T59	59"	30.28	505
T63	63"	32.27	472
T67	67"	34.26	443
T71	71"	36.25	417
T75	75"	38.23	394

Construction:

Tube: 2-5/8" O.D. x 7 ga. **plain steel**

Axle: 11/16" hex steel

Bearing: Light oil, swaged

Axle Retention: Spring retained

Weight: .93 + (.51 x BF)

Shaft Length: BF+1-3/4"

Shorter, longer, and in-between
BF's available.

Part Number	BF	Wt. (lbs.)	Capacity (lbs.)
T07	7"	4.48	850
T08	8"	4.99	850
T09	9"	5.50	850
T10	10"	6.00	850
T11	11"	6.51	850
T12	12"	7.02	850
T13	13"	7.53	850
T14	14"	8.03	850
T15	15"	8.54	850
T16	16"	9.05	850
T17	17"	9.56	850