



Feedthrough Connector Modules

Feedthrough modules provide low-cost and compact field wiring screw termination solutions allowing quick connection with **ZIPLink** cables to PLC I/O modules. **ZIPLink** modules mount on 35mm DIN rail (part #[DN-R35S1](#)). Module [ZL-RTB20](#) will mount on 15mm DIN rail (part #[DN-R15S1](#)).

**ZL-RTB20****ZL-RTB40****ZL-RTB50**

Specifications												
Feedthrough Modules	Part #	Pcs/Pkg	Price/Pkg	Weight (lbs)	Part #	Pcs/Pkg	Price/Pkg	Weight (lbs)	Part #	Pcs/Pkg	Price/Pkg	Weight (lbs)
	ZL-RTB20	1	\$31.50	0.26	ZL-RTB40	1	\$53.00	0.22	ZL-RTB50	1	\$74.00	0.33
Description 4	20-Pole Feedthrough Connector Module				40-Pole Feedthrough Connector Module				50-Pole Connector Module for interfacing SureServo I/O to a controller			
Maximum Voltage	300 VAC/VDC				36 VAC/VDC				0–30 VDC 2			
UL Voltage Rating	0–250 VAC/VDC				0–30 VAC/VDC 2				24VDC			
Maximum Current per Circuit	2A				500mA				0.2 A			
Maximum Current per Common Circuit	4A 1				N/A				N/A			
Maximum Current per Module	40A (all conductors combined including commons)				32A (all conductors combined including commons)				10A			
Number of Terminal Block Positions	20				40				50			
Surrounding Temperature Range	32 to 140°F (0 to 60°C)											
Terminal Block Contacts	Copper alloy, tin-lead plated											
Wire Range (Rated Cross Section) 3	12–24 AWG Solid or Stranded Copper Conductor (2.5 mm ²)											
Wire Strip Length	0.24–0.27 in (6–7 mm)											
Screw Torque	4.4 in-lbs (0.5 N-m)											
Connector Type	Molex Micro-Fit 3.0, 24 pin connector Example: Receptacle 43020-2400 Pins 43031 Series, Male				3M 34000 Series IDC Connector, strain relief is required to latch to header. Example: Socket 3417-7640, Strain relief 3448-3040				3M mini DELTA Ribbon (MDR), 101 Series, 50 pin Example: Plug 10150 - 3000VE, Shell 10350 - 52A0 - 008			
Connecting Cables (Sold Separately)	Click on link: Wiring Selection Guides . Click on link: Connection Cable Specifications Tables .								ZL-SVC-CBL50 (0.5 m/1.6 ft) ZL-SVC-CBL50-1 (1m/3.3 ft) ZL-SVC-CBL50-2 (2m/6.6 ft) Click on link: Connection Cable Specifications Tables .			
Cable/Wire Clearance	0.5 in (12.7 mm) Required											
Mounting Restrictions	None											
Approvals	File # E200031 UL, cUL, Class 1, Division 2, Groups A,B,C,D Hazardous Locations, CE, EN 61131-2:2007											

1 The 4 common circuits are at terminal block positions 1, 6, 11, and 16.

Each common circuit has 2 cable wires per terminal.

2 Use Class 2 power supply

3 Use conductors rated 60°/75°C

4 Connecting cables are for internal wiring only.

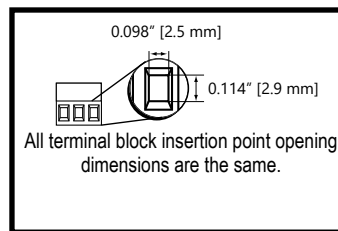
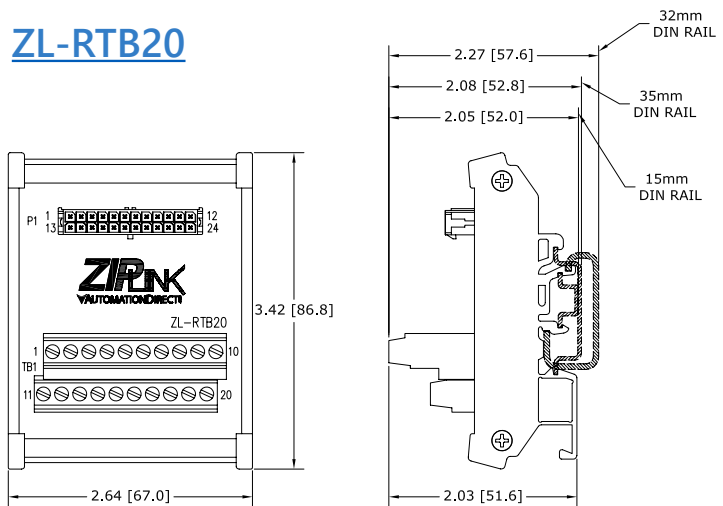


Note: See wiring details and dimensional drawings on our Web site at : <http://www.automationdirect.com/static/manuals/ziplinks/ziplinks.html>.

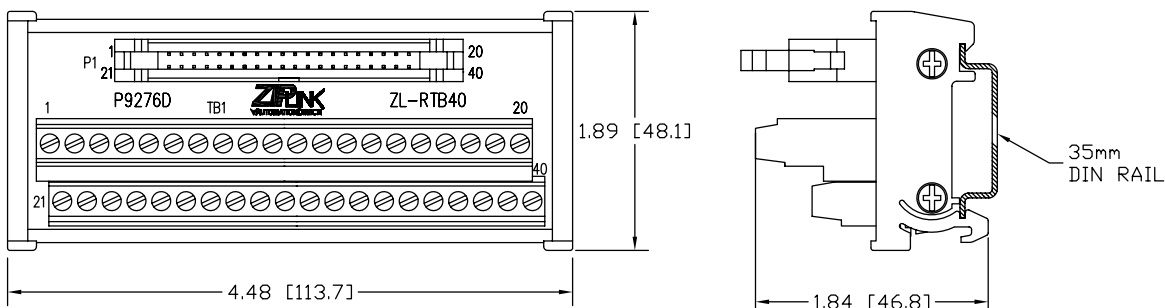


Module Dimensions

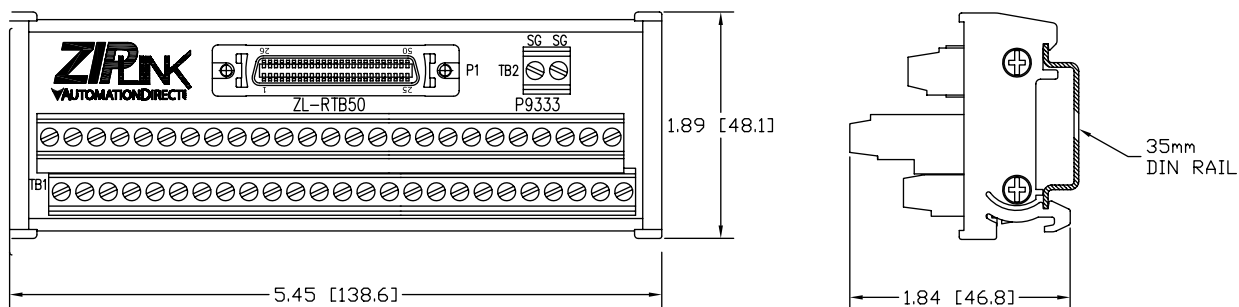
ZL-RTB20



ZL-RTB40



ZL-RTB50



Note: Dimensions shown in Inches [mm]