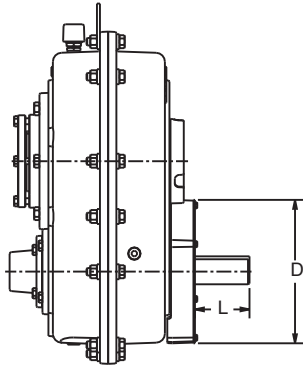


# Fan Kits



Reducer Size	Fan Kit No.	Dimensions		Wt. Lbs.
		D	L	
307	307FKP	9.5	4.9	4.5
315	315FKP	10.4	5.7	4.9
407	407FKPB	12.66	4.56	6.4
415	415FKPB	14.38	6.92	8.3
507	507FKPB	16.41	6.56	13.2
608	608FKPB	16.41	6.69	13.2
800	800FKP	16.41	9.93	13.2