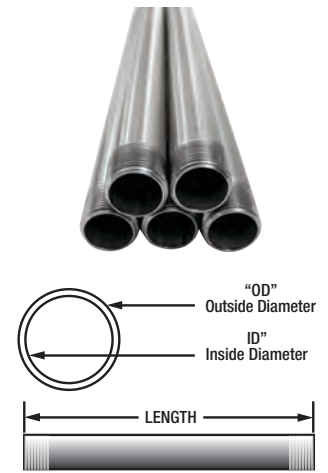


STAINLESS STEEL RIGID CONDUIT



Trade Size	Metric Size	Diameters		Wt/Ft	10' Length w/ Coupling		5' Length w/ Coupling	
		OD	ID		Type 304	Type 316	Type 304	Type 316
1/2"	16	0.840"	0.622"	0.82	S40510CT00	S60510CT00	S40505CT00	S60505CT00
3/4"	21	1.050"	0.824"	1.09	S40710CT00	S60710CT00	S40705CT00	S60705CT00
1"	27	1.315"	1.049"	1.61	S41010CT00	S61010CT00	S41005CT00	S61005CT00
1 1/4"	35	1.660"	1.380"	2.18	S41210CT00	S61210CT00	S41205CT00	S61205CT00
1 1/2"	41	1.900"	1.610"	2.63	S41510CT00	S61510CT00	S41505CT00	S61505CT00
2"	53	2.375"	2.067"	3.50	S42010CT00	S62010CT00	S42005CT00	S62005CT00
2 1/2"	63	2.875"	2.469"	5.59	S42510CT00	S62510CT00	S42505CT00	S62505CT00
3"	78	3.500"	3.068"	7.27	S43010CT00	S63010CT00	S43005CT00	S63005CT00
4"	103	4.500"	4.026"	10.08	S44010CT00	S64010CT00	S44005CT00	S64005CT00
5"	129	5.563"	5.073"	14.61	S45010CT00	S65010CT00	S45005CT00	S65005CT00
6"	155	6.625"	6.093"	18.97	S46010CT00	S66010CT00	S46005CT00	S66005CT00

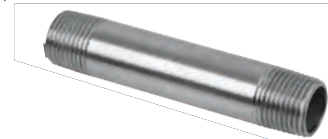


Calbrite® stainless steel rigid conduit is manufactured in type 304 and 316 stainless to meet stringent sanitary requirements and withstand harsh corrosive environments. The conduit is polished to a bright, easily maintainable finish that allows for minimal cleaning, enhances the appearance, and improves the surface's resistance to pitting & bacterial corrosion in CIP (clean-in-place) and SIP (sterilize-in-place) systems.

Calbrite® stainless steel rigid conduit is highly resistant to damage from impact. Easy to cut, form and join, stainless steel conduit avoids the labor-intensive procedures that come with PVC-coated installation. No special tools or complicated maintenance and repair procedures are required. In addition to the ease of installation and maintenance, stainless steel is 100% recyclable standard rigid conduit threads allow for trouble-free installations.

- Trade sizes 1/2" to 6"
- Includes one coupling with each length purchased
- Custom lengths and diameters are available

Compliances: Underwriter Laboratories Listed for USA and Canada standard UL6A File # E230584 American National Standards Institute (ANSI) specification C80.1



STAINLESS STEEL RIGID NIPPLES Custom lengths available upon request

Type 304 SS									
Trade Size	Close	1 1/2"	2"	2 1/2"	3"	3 1/2"	4"	5"	6"
1/2"	S405CLCN00	S40515CN00	S40520CN00	S40525CN00	S40530CN00	S40535CN00	S40540CN00	S40550CN00	S40560CN00
3/4"	S407CLCN00	S40715CN00	S40720CN00	S40725CN00	S40730CN00	S40735CN00	S40740CN00	S40750CN00	S40760CN00
1"	S410CLCN00		S41020CN00	S41025CN00	S41030CN00	S41035CN00	S41040CN00	S41050CN00	S41060CN00
1 1/4"	S412CLCN00		S41220CN00	S41225CN00	S41230CN00	S41235CN00	S41240CN00	S41250CN00	S41260CN00
1 1/2"	S415CLCN00		S41520CN00	S41525CN00	S41530CN00	S41535CN00	S41540CN00	S41550CN00	S41560CN00
2"	S420CLCN00				S42030CN00	S42035CN00	S42040CN00	S42050CN00	S42060CN00
2 1/2"	S425CLCN00							S42550CN00	S42560CN00
3"	S430CLCN00							S43050CN00	S43060CN00
4"	S440CLCN00							S44050CN00	S44060CN00

Type 316 SS									
Trade Size	Close	1 1/2"	2"	2 1/2"	3"	3 1/2"	4"	5"	6"
1/2"	S605CLCN00	S60515CN00	S60520CN00	S60525CN00	S60530CN00	S60535CN00	S60540CN00	S60550CN00	S60560CN00
3/4"	S607CLCN00	S60715CN00	S60720CN00	S60725CN00	S60730CN00	S60735CN00	S60740CN00	S60750CN00	S60760CN00
1"	S610CLCN00		S61020CN00	S61025CN00	S61030CN00	S61035CN00	S61040CN00	S61050CN00	S61060CN00
1 1/4"	S612CLCN00		S61220CN00	S61225CN00	S61230CN00	S61235CN00	S61240CN00	S61250CN00	S61260CN00
1 1/2"	S615CLCN00		S61520CN00	S61525CN00	S61530CN00	S61535CN00	S61540CN00	S61550CN00	S61560CN00
2"	S620CLCN00				S62030CN00	S62035CN00	S62040CN00	S62050CN00	S62060CN00
2 1/2"	S625CLCN00							S62550CN00	S62560CN00
3"	S630CLCN00							S63050CN00	S63060CN00
4"	S640CLCN00							S64050CN00	S64060CN00

