

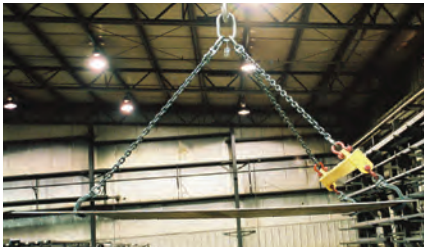
Model PL

Plate Lifters

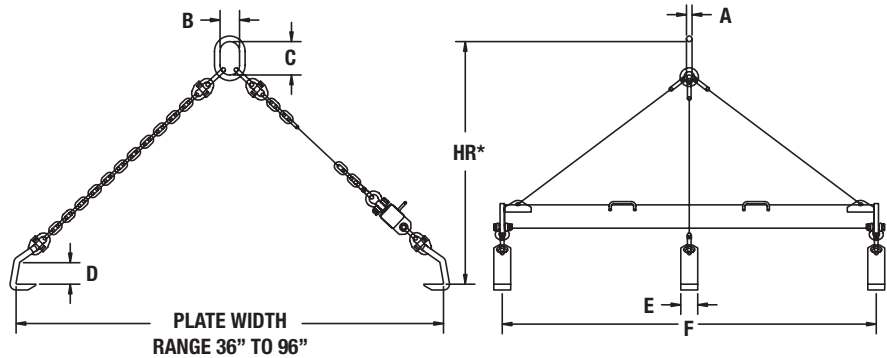
When you are handling thick plates one at a time, the Model PL Plate Lifter is the go-to choice. You just get the lifter in position, engage the hooks and lift.

Product Features:

- Rugged-chain rigging
- Heavy-duty plate hooks
- Design allows for easier crane alignment
- Steel spreader stabilizes two hooks
- Complies with ASME standards



MODEL PL



Model Number	Rated Capacity (tons)	Dimensions (inches)							Plate Width (in.)		Weight (lbs.)
		A	B	C	D	E	F	HR	Min.	Max.	
PL-5	5	1	3.5	6	3	2.3	84	58	36	96	185
PL-10	10	1.25	4.38	7.5	5	3.8	84	58	36	96	320

* Headroom at maximum plate width.

PRODUCT OPERATION



Follow Us On LinkedIn!

LinkedIn is where we keep you "in the know" on all things Caldwell! You'll see cool custom equipment, meet some of our employees, and find out about new products there first.

[linkedin.com/company/caldwell-group-lifting-solutions](https://www.linkedin.com/company/caldwell-group-lifting-solutions)

