



## Slow Compression supply stops

Series: 45, 442, 1006, 1013, 1017, 1025

- Choice of angle or straight stop design
- Available handle options include 2-1/4" tee or 3" cross
- Slow compression operating cartridge
- Polished chrome finish

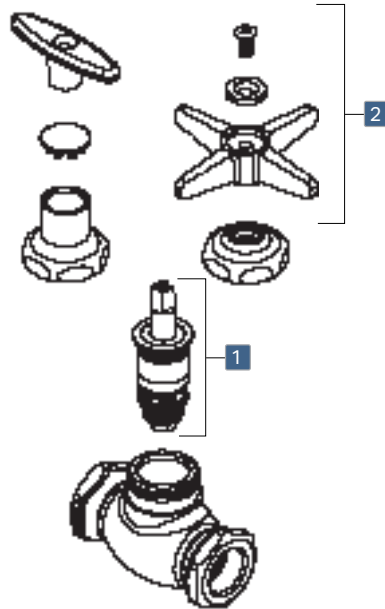


### Straight Stops

Model	Cartridge	Handle	Inlet	Outlet	Extension
45-ABCP	Slow Compression	633	1/2" NPT female	1/2" NPT female	No
45-LKABCP	Slow Compression	293-006	1/2" NPT female	1/2" NPT female	No

### Angle Stops

Model	Cartridge	Handle	Inlet	Outlet	Riser
442-LKABCP	Slow Compression	293-006	1/2" NPT female	1/2" NPT female	No
1006-ABCP	Slow Compression	293-006	1/2" NPT female	1/2" NPT female	Yes
1013-ABCP	Slow Compression	293-006	3/8" NPT female	3/8" O.D. female compression	No
1016-ABCP	Slow Compression	293-006	3/8" NPT female	3/8" O.D. female compression	Yes
1017-ABCP	Slow Compression	293-006	1/2" NPT female	3/8" O.D. female compression	Yes
1025-ABCP	Slow Compression	293-006	5/8" O.D. compression	3/8" O.D. female compression	No



### Cartridges

Model	Description
1	<b>Slow Compression</b>
	217-XTLH Short stem, left

### Handles

Model	Description	
2	293-006 2-1/4" tee	
	633 3" cross	