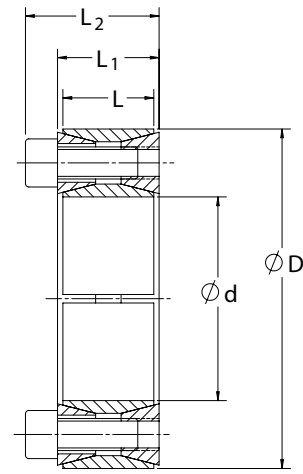




SERIES C200 LOCKING ASSEMBLY

- Original double taper, self-releasing design
- First-generation device; not self-centering
- No axial movement of mounted component during installation



Inch

| CLIMAX Part No. | Shaft Size | | | | L | L ₁ | L ₂ | M _t (ft-lbs) | F _{ax} (lbs.F) | P _s (psi) | P _h (psi) | D _N * | Locking Screws | | | |
|-----------------|------------|-------|--------|-------|-------|----------------|----------------|-------------------------|-------------------------|----------------------|----------------------|------------------|----------------|-------------------------|-----|--|
| | (in) | d | D | Qty. | | | | | | | | | Size | M _a (ft-lbs) | dB | |
| C200E-075 | 3/4 | 0.750 | 1.850 | 0.669 | 0.787 | 1.024 | 223 | 7,135 | 37,704 | 15,282 | 2.635 | 8 | M6 x 18 | 10 | M8 | |
| C200E-087 | 7/8 | 0.875 | 1.850 | 0.669 | 0.787 | 1.024 | 260 | 7,135 | 32,318 | 15,282 | 2.635 | 8 | M6 x 18 | 10 | M8 | |
| C200E-100 | 1 | 1.000 | 1.969 | 0.669 | 0.787 | 1.024 | 334 | 8,027 | 31,813 | 16,161 | 2.867 | 9 | M6 x 18 | 10 | M8 | |
| C200E-112 | 1 1/8 | 1.125 | 2.165 | 0.669 | 0.787 | 1.024 | 418 | 8,919 | 31,420 | 16,324 | 3.167 | 10 | M6 x 18 | 10 | M8 | |
| C200E-118 | 1 3/16 | 1.188 | 2.159 | 0.669 | 0.787 | 1.024 | 441 | 8,919 | 29,766 | 16,372 | 3.161 | 10 | M6 x 18 | 10 | M8 | |
| C200E-125 | 1 1/4 | 1.250 | 2.362 | 0.669 | 0.787 | 1.024 | 557 | 10,703 | 33,934 | 17,957 | 3.604 | 12 | M6 x 18 | 10 | M8 | |
| C200E-137 | 1 3/8 | 1.375 | 2.365 | 0.669 | 0.787 | 1.024 | 613 | 10,703 | 30,849 | 17,936 | 3.606 | 12 | M6 x 18 | 10 | M8 | |
| C200E-143 | 1 7/16 | 1.438 | 2.559 | 0.669 | 0.787 | 1.024 | 748 | 12,486 | 34,425 | 19,338 | 4.052 | 14 | M6 x 18 | 10 | M8 | |
| C200E-150 | 1 1/2 | 1.500 | 2.559 | 0.669 | 0.787 | 1.024 | 780 | 12,486 | 32,991 | 19,338 | 4.052 | 14 | M6 x 18 | 10 | M8 | |
| C200E-162 | 1 5/8 | 1.625 | 2.953 | 0.787 | 0.945 | 1.260 | 1,334 | 19,706 | 40,853 | 22,483 | 5.112 | 12 | M8 x 22 | 26 | M10 | |
| C200E-168 | 1 11/16 | 1.688 | 2.953 | 0.787 | 0.945 | 1.260 | 1,386 | 19,706 | 39,340 | 22,483 | 5.112 | 12 | M8 x 22 | 26 | M10 | |
| C200E-175 | 1 3/4 | 1.750 | 2.953 | 0.787 | 0.945 | 1.260 | 1,437 | 19,706 | 37,935 | 22,483 | 5.112 | 12 | M8 x 22 | 26 | M10 | |
| C200E-187 | 1 7/8 | 1.875 | 3.150 | 0.787 | 0.945 | 1.260 | 1,540 | 19,706 | 35,406 | 21,078 | 5.235 | 12 | M8 x 22 | 26 | M10 | |
| C200E-193 | 1 15/16 | 1.938 | 3.150 | 0.787 | 0.945 | 1.260 | 1,591 | 19,706 | 34,264 | 21,078 | 5.235 | 12 | M8 x 22 | 26 | M10 | |
| C200E-200 | 2 | 2.000 | 3.346 | 0.787 | 0.945 | 1.260 | 1,916 | 22,991 | 38,725 | 23,144 | 5.909 | 14 | M8 x 22 | 26 | M10 | |
| C200E-212 | 2 1/8 | 2.125 | 3.346 | 0.787 | 0.945 | 1.260 | 2,036 | 22,991 | 36,447 | 23,144 | 5.909 | 14 | M8 x 22 | 26 | M10 | |
| C200E-218 | 2 3/16 | 2.188 | 3.543 | 0.787 | 0.945 | 1.260 | 2,095 | 22,991 | 35,406 | 21,858 | 6.023 | 14 | M8 x 22 | 26 | M10 | |
| C200E-225 | 2 1/4 | 2.250 | 3.543 | 0.787 | 0.945 | 1.260 | 2,155 | 22,991 | 34,422 | 21,858 | 6.023 | 14 | M8 x 22 | 26 | M10 | |
| C200E-237 | 2 3/8 | 2.375 | 3.531 | 0.787 | 0.945 | 1.260 | 2,275 | 22,991 | 32,611 | 21,934 | 6.015 | 14 | M8 x 22 | 26 | M10 | |
| C200E-243 | 2 7/16 | 2.438 | 3.740 | 0.787 | 0.945 | 1.260 | 2,669 | 26,275 | 36,314 | 23,666 | 6.710 | 16 | M8 x 22 | 26 | M10 | |
| C200E-250 | 2 1/2 | 2.500 | 3.740 | 0.787 | 0.945 | 1.260 | 2,737 | 26,275 | 35,406 | 23,666 | 6.710 | 16 | M8 x 22 | 26 | M10 | |
| C200E-256 | 2 9/16 | 2.563 | 3.737 | 0.787 | 0.945 | 1.260 | 2,805 | 26,275 | 34,542 | 23,686 | 6.708 | 16 | M8 x 22 | 26 | M10 | |
| C200E-262 | 2 5/8 | 2.625 | 4.331 | 0.945 | 1.102 | 1.496 | 4,000 | 36,569 | 39,109 | 23,705 | 7.779 | 14 | M10 x 25 | 51 | M12 | |
| C200E-268 | 2 11/16 | 2.688 | 4.331 | 0.945 | 1.102 | 1.496 | 4,095 | 36,569 | 38,199 | 23,705 | 7.779 | 14 | M10 x 25 | 51 | M12 | |
| C200E-275 | 2 3/4 | 2.750 | 4.337 | 0.945 | 1.102 | 1.496 | 4,190 | 36,569 | 37,331 | 23,671 | 7.782 | 14 | M10 x 25 | 51 | M12 | |
| C200E-287 | 2 7/8 | 2.875 | 4.528 | 0.945 | 1.102 | 1.496 | 4,381 | 36,569 | 35,708 | 22,675 | 7.883 | 14 | M10 x 25 | 51 | M12 | |
| C200E-293 | 2 15/16 | 2.938 | 4.528 | 0.945 | 1.102 | 1.496 | 4,476 | 36,569 | 34,948 | 22,675 | 7.883 | 14 | M10 x 25 | 51 | M12 | |
| C200E-300 | 3 | 3.000 | 4.724 | 0.945 | 1.102 | 1.496 | 4,571 | 36,569 | 34,220 | 21,730 | 8.000 | 14 | M10 x 25 | 51 | M12 | |
| C200E-312 | 3 1/8 | 3.125 | 4.724 | 0.945 | 1.102 | 1.496 | 4,762 | 36,569 | 32,852 | 21,730 | 8.000 | 14 | M10 x 25 | 51 | M12 | |
| C200E-325 | 3 1/4 | 3.250 | 4.921 | 0.945 | 1.102 | 1.496 | 5,660 | 41,793 | 36,101 | 23,841 | 8.877 | 16 | M10 x 25 | 51 | M12 | |
| C200E-337 | 3 3/8 | 3.375 | 4.921 | 0.945 | 1.102 | 1.496 | 5,877 | 41,793 | 34,764 | 23,841 | 8.877 | 16 | M10 x 25 | 51 | M12 | |
| C200E-343 | 3 7/16 | 3.438 | 5.118 | 0.945 | 1.102 | 1.496 | 5,986 | 41,793 | 34,131 | 22,924 | 8.978 | 16 | M10 x 25 | 51 | M12 | |
| C200E-350 | 3 1/2 | 3.500 | 5.118 | 0.945 | 1.102 | 1.496 | 6,095 | 41,793 | 33,522 | 22,924 | 8.978 | 16 | M10 x 25 | 51 | M12 | |
| C200E-375 | 3 3/4 | 3.750 | 5.305 | 0.945 | 1.102 | 1.496 | 7,346 | 47,017 | 35,198 | 24,880 | 9.887 | 18 | M10 x 25 | 51 | M12 | |
| C200E-387 | 3 7/8 | 3.875 | 5.709 | 1.024 | 1.299 | 1.772 | 8,640 | 53,513 | 35,786 | 24,291 | 10.442 | 14 | M12 x 30 | 89 | M14 | |
| C200E-393 | 3 15/16 | 3.938 | 5.709 | 1.024 | 1.299 | 1.772 | 8,779 | 53,513 | 35,218 | 24,291 | 10.442 | 14 | M12 x 30 | 89 | M14 | |
| C200E-400 | 4 | 4.000 | 5.843 | 1.024 | 1.299 | 1.772 | 8,919 | 53,513 | 34,668 | 23,733 | 10.504 | 14 | M12 x 30 | 89 | M14 | |
| C200E-418 | 4 3/16 | 4.188 | 6.102 | 1.024 | 1.299 | 1.772 | 9,337 | 53,513 | 33,115 | 22,724 | 10.640 | 14 | M12 x 30 | 89 | M14 | |
| C200E-443 | 4 7/16 | 4.438 | 6.496 | 1.024 | 1.299 | 1.772 | 11,308 | 61,157 | 35,714 | 24,396 | 11.922 | 16 | M12 x 30 | 89 | M14 | |
| C200E-450 | 4 1/2 | 4.500 | 6.496 | 1.024 | 1.299 | 1.772 | 11,467 | 61,157 | 35,218 | 24,396 | 11.922 | 16 | M12 x 30 | 89 | M14 | |
| C200E-493 | 4 15/16 | 4.938 | 7.087 | 1.339 | 1.496 | 1.969 | 15,727 | 76,446 | 30,681 | 21,377 | 11.879 | 20 | M12 x 35 | 89 | M14 | |
| C200E-500 | 5 | 5.000 | 7.087 | 1.339 | 1.496 | 1.969 | 15,926 | 76,446 | 30,298 | 21,377 | 11.879 | 20 | M12 x 35 | 89 | M14 | |
| C200E-543 | 5 7/16 | 5.438 | 7.480 | 1.339 | 1.496 | 1.969 | 19,052 | 84,091 | 30,646 | 22,277 | 12.871 | 22 | M12 x 35 | 89 | M14 | |
| C200E-550 | 5 1/2 | 5.500 | 7.492 | 1.339 | 1.496 | 1.969 | 19,271 | 84,091 | 30,298 | 22,242 | 12.878 | 22 | M12 x 35 | 89 | M14 | |
| C200E-600 | 6 | 6.000 | 8.268 | 1.339 | 1.496 | 1.969 | 24,845 | 99,380 | 32,823 | 23,820 | 14.903 | 26 | M12 x 35 | 89 | M14 | |
| C200E-643 | 6 7/16 | 6.438 | 8.858 | 1.496 | 1.732 | 2.283 | 30,910 | 115,236 | 31,739 | 23,065 | 15.604 | 22 | M14 x 40 | 140 | M16 | |
| C200E-650 | 6 1/2 | 6.500 | 8.858 | 1.496 | 1.732 | 2.283 | 31,210 | 115,236 | 31,434 | 23,065 | 15.604 | 22 | M14 x 40 | 140 | M16 | |
| C200E-693 | 6 15/16 | 6.938 | 9.252 | 1.496 | 1.732 | 2.283 | 36,339 | 125,712 | 32,129 | 24,091 | 16.818 | 24 | M14 x 40 | 140 | M16 | |
| C200E-700 | 7 | 7.000 | 9.252 | 1.496 | 1.732 | 2.283 | 36,666 | 125,712 | 31,842 | 24,091 | 16.818 | 24 | M14 x 40 | 140 | M16 | |
| C200E-750 | 7 1/2 | 7.500 | 9.823 | 1.811 | 2.047 | 2.598 | 45,833 | 146,664 | 28,642 | 21,869 | 16.701 | 28 | M14 x 45 | 140 | M16 | |
| C200E-787 | 7 7/8 | 7.875 | 10.236 | 1.811 | 2.047 | 2.598 | 51,562 | 157,140 | 29,227 | 22,485 | 17.722 | 30 | M14 x 45 | 140 | M16 | |
| C200E-793 | 7 15/16 | 7.938 | 10.504 | 1.811 | 2.047 | 2.598 | 51,971 | 157,140 | 28,997 | 21,912 | 17.882 | 30 | M14 x 45 | 140 | M16 | |
| C200E-800 | 8 | 8.000 | 10.504 | 1.811 | 2.047 | 2.598 | 52,380 | 157,140 | 28,770 | 21,912 | 17.882 | 30 | M14 x 45 | 140 | M16 | |

All dimensions are shown in inches unless stated otherwise. All dimensions and capacities are subject to change without notice.

* Minimum hub outside diameter based on a Pressure Reduction Factor of C=1.0 and hub material with tensile yield point ≥ 45,000 psi. For details refer to page 8.