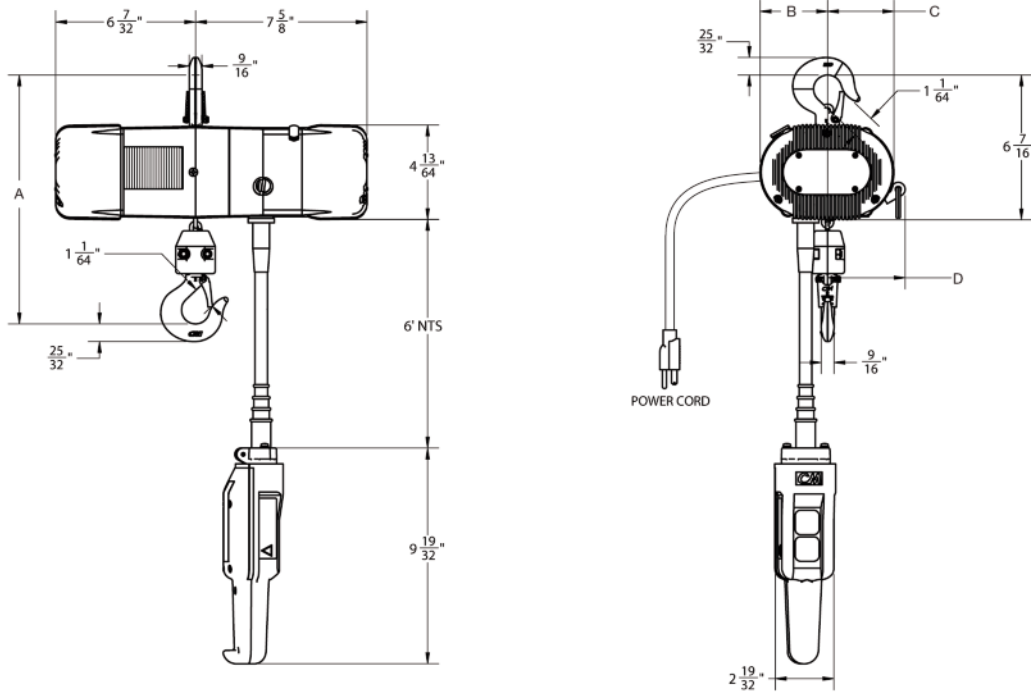


ShopStar VS Specifications



Capacity (Metric Tons)	Product Code				Dimensions in. (mm)				Maximum Lift Speed (ft./min.)	Standard Lift (ft.)	Reeving	Weight (lb.)
	2-Speed	2-Step Infinity Variable Speed	3-Speed	3-Step Infinity Variable Speed	A	B	C	D				
250	VS0250A1	VS0250A2	VS0250A3	VS0250A4	11.06	3	2.95	3.45	63	10	1	26
300	VS0300A1	VS0300A2	VS0300A3	VS0300A4	11.06	3	2.95	3.45	63	10	1	26
500	VS0500A1	VS0500A2	VS0500A3	VS0500A4	11.06	3	2.95	3.45	39	10	1	26
550	VS0550A1	VS0550A2	VS0550A3	VS0550A4	11.06	3	2.95	3.45	26	10	1	26
600	VS0600A1	VS0600A2	VS0600A3	VS0600A4	11.94	3.58	2.36	2.87	31	10	2	28
1000	VS1000A1	VS1000A2	VS1000A3	VS1000A4	11.94	3.58	2.36	2.87	19	10	2	28
1100	VS1100A1	VS1100A2	VS1100A3	VS1100A4	11.94	3.58	2.36	2.87	13	10	2	28

NOTE: Configurable codes and options available in addition to standard products shown above. Optional transformer required for 460-volt applications.

<p>* ⚠ WARNING</p>
<p>Overloading and improper use can result in injury.</p>
<p>To avoid injury:</p> <ul style="list-style-type: none"> • Do not exceed working load limit, load rating capacity • Do not use to lift people or loads over people. • use only alloy chain for overhead lifting. • Read and follow all instructions.