

Sensor Features + Specifications

PU Series

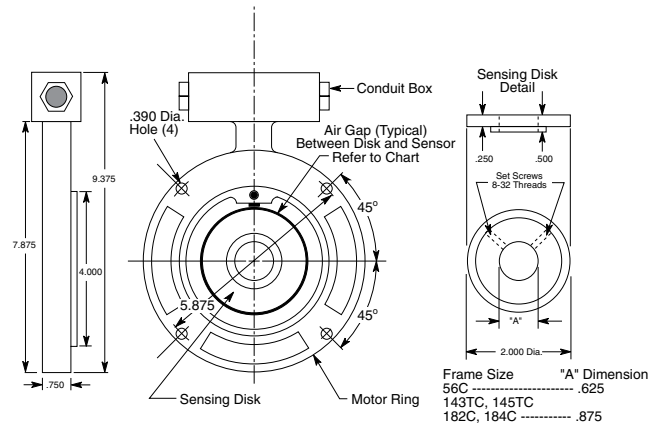
- Single screw installation - no alignment needed
- For shaft speeds up to 5000 RPM
- 6' cable provided - may be extended to 300'^{*}
- Supply voltage +4.5 to +30VDC (see below)
- 1 to 20 pulse/revolution output
- NPN and PNP output - NPN sinks 50mA max (see below)
- -40°C to +100°C ambient temperature range
- Indoor and outdoor/wash down rated models
- Santoprene injection molded head

| Model | Width | Length | Depth | Weight |
|------------------|-----------------------------|-----------------------|----------------------|---------------------|
| PU Series (head) | 1.60 in [4.06 cm] | 2.40 in [6.10 cm] | 0.93 in [2.36 cm] | 8.8 oz [249 gm] |
| CF Series | [Std. C Face ¹] | 9.38 in [23.83 cm] | 0.75 in [1.91 cm] | 2.65 lb [1.2 kg] |
| OPU | 0.50 in [1.27 cm] | 0.75 in [1.91 cm] | N/A | 6 oz [170 gm] |

¹ - Sizes compatible with 56C, 143TC, 154TC, 182C and 184C face dimensions

CF Series

- Kit consists of motor face ring, mounting hardware and sensing disk (shaft mount)
- Sensing disk impervious to dust, oil and water
- Supply voltage +4.5 to +24VDC
- -40° to +125°C ambient temperature range
- NPN open collector output sinks 20mA max



CF Series

OPU

- Senses rotation using reflective target
- 3-wire sensor produces square wave output
- NPN open collector output sinks 50mA max
- Output rise/fall: 500nS max.; 600,000 PPM max
- Supply voltage +5 to +6VDC
- 0°C to +70° ambient temperature range

^{*} See Application Note at www.dartcontrols.com

| Base Model | | | | |
|--------------------|---------------|------------------|---------------|--------------------------|
| Indoor Model (NPN) | Outdoor Model | Pulse/Rev Output | Cable | Frame Size |
| PU-2E | PU-2R | 1 | Rubber Jacket | N/A |
| PU-4E | PU-4R | 2 | Rubber Jacket | N/A |
| PU-20E | PU-20R | 10 | Rubber Jacket | N/A |
| PU-40E | PU-40R | 20 | Rubber Jacket | N/A |
| CF-H1 | N/A | 1 | N/A | 56C |
| CF-H2 | N/A | 2 | N/A | 56C |
| CF-H15 | N/A | 15 | N/A | 56C |
| CF-H60 | N/A | 60 | N/A | 56C |
| CF-J2 | N/A | 2 | N/A | 143TC, 145TC, 182C, 184C |
| CF-J60 | N/A | 60 | N/A | 143TC, 145TC, 182C, 184C |
| OPU | N/A | Target Dependent | Shielded | N/A |

N/A – Not available