

Please read and save these instructions. Read carefully before attempting to assemble, install, operate or maintain the product described. Protect yourself and others by observing all safety information. Failure to comply with instructions could result in personal injury and/or property damage! Retain instructions for future reference.

# Dayton® Fork and Platform Lifts

## Description

Dayton Fork and Platform Lifts are designed for manual lifting, lowering, and transporting of loads on firm and level surfaces, including workshops, warehouses, stockrooms, receiving departments, throughout a plant, and wherever aisles and congested areas prevent the use of larger equipment.

Specifications for multiple types of lifts may be described in these Operating Instructions. During operation and maintenance, apply the relevant aspects for the Dayton Fork Lift or Platform Lift that you have purchased.

## General Safety Information

Only authorized and trained operators should use this product.

**CAUTION** Never exceed the maximum capacity of the lift. Load must be evenly distributed and load center limits must not be exceeded.

**CAUTION** Use caution and be aware of pinch and crush points. Never place hands, feet, or objects under forks or platform. Never reach into moving parts.

**CAUTION** Do not use on inclines or uneven surfaces.

**CAUTION** Never leave the load unattended in a raised position.

**CAUTION** Transporting or lifting persons is not permitted.

## Assembly

### STRADDLE LEG AND FORK ASSEMBLY INSTRUCTIONS (MODEL 4VME8, 4VME9 AND 4VMF1 ONLY)

This stacker may require assembly. If so, carefully follow the assembly instructions taking care to heed all safety precautions. Some tools are required, including wrenches, a dead blow or other non-marring hammer, snap ring pliers, and a hoisting device such as a crane.



Figure 1

**CAUTION** Do not remove the stacker from the pallet. The stacker should remain secured to the pallet until after assembly is completed. Failure to follow this instruction could cause serious injury. Stabilizing the stacker during assembly using a suitable crane or hoist is recommended.

## Specifications

Model	Item	Load Cap.* (lbs.)	Max. Lifting Height	Min. Lifting Height	Platform/ Fork Length	Platform Width	Overall Length	Overall Width	Overall Height	Load Center**	Wheels
4VMD9	Fork Lift	2000	63"	3.3"	43"	N/A	63"	28.5"	80"	24"	2 rigid, 2 swivel
4VME1	Fork Lift	3000	63	3.3	43	N/A	63	28.5	80	24	2 rigid, 2 swivel
4VME2	Fork Lift	2000	98	3.3	43	N/A	63	28.5	72	24	2 rigid, 2 swivel
4VME3	Fork Lift	2000	118	3.3	43	N/A	63	28.5	82	24	2 rigid, 2 swivel
4VME4	Platform Lift	2000	63	6	30	32"	54	34	82	18	2 rigid, 2 swivel
4VME5	Platform Lift	3000	63	6	30	32	54	34	82	18	2 rigid, 2 swivel
4VME6	Platform Lift	2000	98	6	30	32	54	34	74	18	2 rigid, 2 swivel
4VME7	Platform Lift	2000	118	6	30	32	54	34	84	18	2 rigid, 2 swivel
4VME8	Fork Lift	2000	63	2	36	N/A	56	43-54	82	20	2 rigid, 2 swivel
4VME9	Fork Lift	2000	98	2	36	N/A	56	43-54	74	20	2 rigid, 2 swivel
4VMF1	Fork Lift	2000	118	2	36	N/A	56	43-54	84	20	2 rigid, 2 swivel

(\*) Maximum load capacity rating is for evenly distributed load.

(\*\*) Read and understand load center restrictions.

# Dayton® Fork and Platform Lifts

## Assembly (Continued)

### STRADDLE LEG ASSEMBLY

See Figure 2.

1. Unscrew and remove the bolts and nuts on the front and rear of the stacker.
2. Slide the leg into the slot of the body to the desired position.
3. Insert and tighten the bolts and nuts on the front and rear securely.

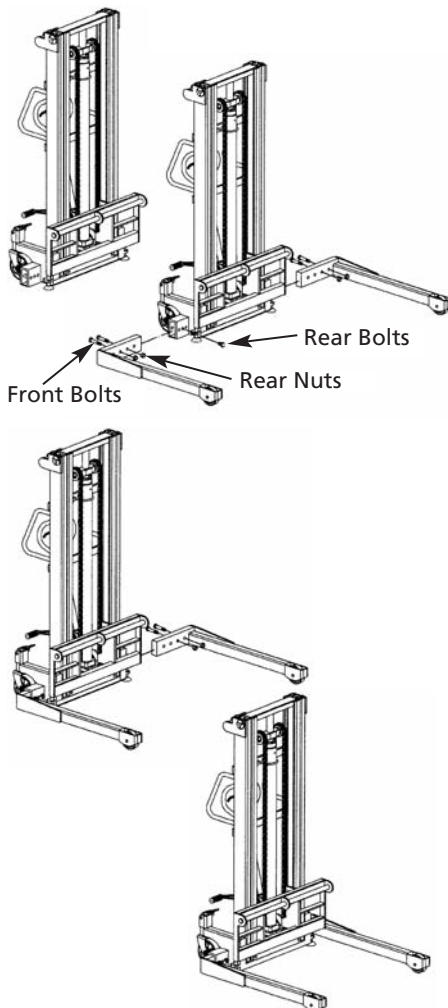


Figure 2 – Straddle Leg Assembly

4. Assemble the other leg following the above steps.
5. Remove the stacker from the pallet using a crane or other suitable lifting device.

### FORK ASSEMBLY

See Figure 3.

1. Use snap ring pliers to remove the retaining ring and the fork carriage shaft from the carriage.
2. Place the forks so that the holes of the forks match up to the hole for the carriage shaft. You may need someone to help hold the forks in place.
3. Insert the shaft into the hole in the fork carriage, passing through the holes in the forks. Adjust the fork placement as necessary.

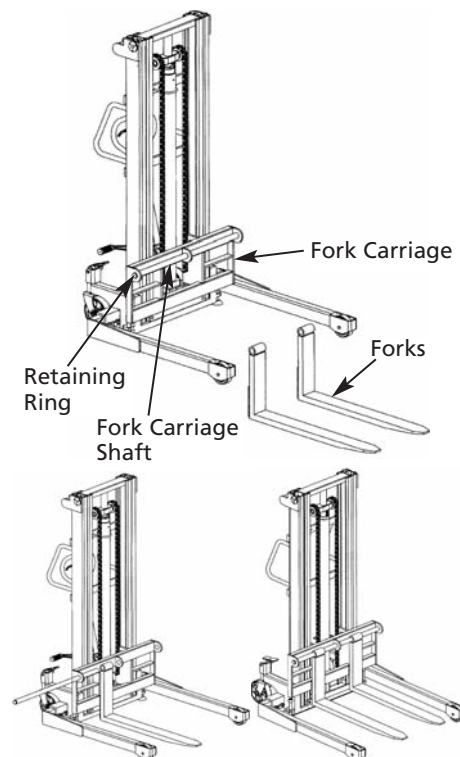


Figure 3 – Fork Assembly

4. Use snap ring pliers to insert the retaining ring to lock the shaft in place.

### PEDAL ASSEMBLY

See Figure 4.

1. Unscrew and remove the bolts and nuts on the pedal lever.
2. Insert the pedal into the pedal lever.
3. Insert and tighten the bolts and nuts on the pedal lever.

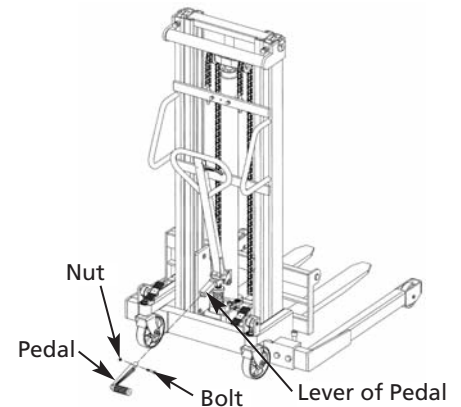


Figure 4 – Pedal Assembly

### Operation

Carefully read all manuals included with this product **before** putting into service. Never exceed the maximum capacity of the lift.

Fully read and follow the instructions for "Releasing air from the pump" in the Maintenance section of this manual **before** putting your Dayton lift into service.

Inspect the lift prior to each use. Discontinue use immediately if any problems, defects, or repair needs are discovered.

# Models 4VMD9, 4VME1 thru 4VME9 and 4VMF1

## Operation (Continued)

Pre-operation check list:

- Check the function of all moving parts, including rollers, wheels, axles, etc.
- If your lift is equipped with a parking brake, check the function of the parking brake.
- Check load chain for adjustment, tension, and wear.

### FOR LIFTS EQUIPPED WITH A PARKING BRAKE

Utilize the parking brake when placing loads, elevating loads, and when lift is not in use. Activate the brake by pressing the center pedal. Release the brake by pressing the lever to the left or right of the center pedal.

### LIFTING A LOAD

Ensure that the load does not exceed the capacity of the lift, and that the load does not exceed the size of the forks or platform.

Roll the lift slowly up to the load and position the forks under the pallet/load until the back of the forks rests against the load, or manually place the load onto the platform or forks.

**▲ WARNING** *Do not load the lift in its raised position. The load must be evenly distributed across both forks or across the platform. The load center of gravity must not be exceeded.*

Raise the load by pumping the foot pedal or the handle until it reaches the desired height.

### MOVING A LOAD

The load should be in lowest possible position (while still maintaining clearance under the load) whenever transporting a load.

Travel at a steady speed, being mindful of the load and the floor conditions.

**▲ WARNING** *Do not operate the lift on gradients or uneven surfaces.*

### LOWERING A LOAD

Maneuver the load to its desired location and actuate the parking brake. Ensure there is nothing under the load, then pull the control handle to the LOWER position to lower load to desired height.

Lower completely when not in use.

### TO RAISE

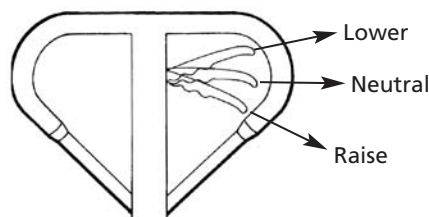
Insert the forks into the pallet. Move the control lever to the RAISE position. With an up/down motion of the handle, pump the load to the desired height.

### NEUTRAL

When finished raising the lift, move control lever to the NEUTRAL position. Move the lift to desired location.

### TO LOWER

Move the control lever to the LOWER position until desired height has been reached.



**Figure 5**

**NOTE:** The lever should automatically move to the NEUTRAL position when released. If this does not happen, adjust accordingly.

### ADJUSTMENT

Test each of the functions by pumping the handle with the control lever in each of the three positions. If the functions do not operate as listed, perform the required adjustments as noted below. Over time, normal use and vibration may cause your lift to require additional periodic adjustments.

1. If the forks do not elevate while pumping in the RAISE position, turn the adjusting nut (Ref. No. 4, Fig. 4) and/or set screw (Ref. No. 34, Fig. 15A) counterclockwise until the forks elevate while pumping in the RAISE position.
2. If the forks do not descend when the control lever is in the LOWER position, turn the adjusting nut and/or set screw clockwise until the control lever lowers the forks properly.
3. If the forks elevate while pumping in the NEUTRAL position, turn the adjusting nut and/or set screw clockwise until pumping action does not raise the forks and the NEUTRAL position functions properly.
4. If the forks descend while lever is in the NEUTRAL position, turn the adjusting nut and/or set screw counterclockwise until the forks do not lower.

After making an adjustment, be sure to check all functions to be sure they haven't been affected **before operating the unit.**

# Dayton® Fork and Platform Lifts

## Maintenance

**▲ WARNING** *Remove loads before performing inspection or maintenance work. Only use genuine spare parts.*

### ADDING OIL

If the forks/platform won't raise to the rated height, you may need to add hydraulic fluid. Hydraulic fluid must be ISO VG32 or equivalent with a viscosity of 30cSt at 104°F (40°C). Mixing of different fluids is prohibited! Total oil volume is about 2 quarts. Check the oil level every six months.

**NOTE:** Waste oil must be disposed of in an environmentally-friendly way and in accordance with regulatory authorities.

### LUBRICATION

Periodically lubricate all grease fittings according to the required maintenance schedule, or after any thorough cleaning that may excessively remove grease from critical lube points, using multipurpose lubricating grease ZG2# or 3#.

### RELEASING AIR FROM THE PUMP

Air may enter the hydraulic oil during transportation or if the unit is tipped,

such that the forks don't elevate immediately while pumping in the "raise" position. To release air from the pump, move the control handle to the **LOWER** position, then move the draw-bar up and down several times.

### DAILY INSPECTION AND MAINTENANCE

Daily inspection of the lift can greatly reduce wear and maintenance. Special attention should be paid to the wheels, casters, and carriage rollers, inspecting for obstructions of any kind.

### RECOMMENDED MAINTENANCE INTERVALS

The service life of your lift is limited. Worn parts must be replaced promptly.

#### DAILY:

- Check moving parts and operating controls for proper operation
- Check wheels and carriage rollers for wear or slop
- Check load chain for adjustment, tension, and wear
- Grease the chain if necessary

#### 1 MONTH:

- Grease joints and bearings
- Check function and turning capability of wheels and rollers
- Check hydraulic system for leakage and full range of motion

#### 3 MONTHS:

- Check hydraulic oil level with platform/forks fully lowered and the lift in a horizontal position
- Check the release valve adjustment
- Check all screw and bolt connections for tightness

#### 1 YEAR:

- Check all parts for wear and replace defective parts as necessary
- Drain and replace hydraulic fluid
- Check readability of labels and safety warnings; replace if needed

**▲ WARNING** *Do not attempt to repair lifts unless you are trained and authorized to do so. Serious injury could result.*

**▲ WARNING** *These products may not be altered in any way without written permission from the manufacturer.*

# Models 4VMD9, 4VME1 thru 4VME9 and 4VMF1

## Troubleshooting Chart

Symptom	Possible Cause(s)	Corrective Action
Forks/platform do not raise, do not raise fully, or raise slowly	<ol style="list-style-type: none"> <li>1. Low hydraulic fluid level</li> <li>2. Air in the hydraulic system</li> <li>3. Control handle is in the wrong position</li> <li>4. Load is too heavy. Overload release valve is being activated</li> <li>5. Temperature is too low and the hydraulic oil has become too thick</li> </ol>	<ol style="list-style-type: none"> <li>1. Add approved hydraulic fluid as noted on page 4 (in Maintenance section)</li> <li>2. Follow the procedure for "Releasing air from the pump" on page 4 (in Maintenance section)</li> <li>3. Put the control handle in the right position (in Operation section, page 3)</li> <li>4. Reduce load</li> <li>5. Move truck to a warmer location</li> </ol>
Forks/platform do not lower or do not lower fully	<ol style="list-style-type: none"> <li>1. Obstacle located under forks/platform, in fork mechanism, etc</li> <li>2. The piston rod (Ref. No. 62) or pump body (Ref. No. 59) has deformed from excess or uneven loading (See Figure 15A)</li> <li>3. Forks/platform were kept in the raised position for a long time, allowing the piston rod to rust or jam</li> <li>4. The adjustment nut (Ref. No. 4, Fig. 14) and set screw (Ref. No. 34, Fig. 15A) are in the wrong position</li> </ol>	<ol style="list-style-type: none"> <li>1. Use caution removing the obstacle</li> <li>2. Replace the piston rod (Ref. No. 62) or pump body (Ref. No. 59) (See Figure 15A)</li> <li>3. Lubricate the piston. Replace if necessary. Keep the forks/platform in the lowered position when not in use</li> <li>4. Adjust them (see "Adjustment", page 3)</li> </ol>
Forks/platform lower without the control lever in the "lower" position	<ol style="list-style-type: none"> <li>1. Oil impurities are preventing the release valve from fully closing</li> <li>2. Some hydraulic components or seals are cracked or worn</li> <li>3. Air in the hydraulic system</li> <li>4. The adjustment nut (Ref. No. 4, Fig. 14) and set screw (Ref. No. 34, Fig. 15A) are in the wrong position</li> </ol>	<ol style="list-style-type: none"> <li>1. Drain and replace hydraulic fluid with approved fluid as noted on page 4 (in Maintenance section)</li> <li>2. Inspect and replace components as needed</li> <li>3. Follow the procedure for "Releasing air from the pump" on page 4 (in Maintenance section)</li> <li>4. Adjust them (see "Adjustment", page 3)</li> </ol>

# For Repair Parts, call 1-800-323-0620

24 hours a day – 365 days a year

Please provide following information:

- Model number
- Serial number (if any)
- Part description and number as shown in parts list

E  
N  
G  
L  
I  
S  
H

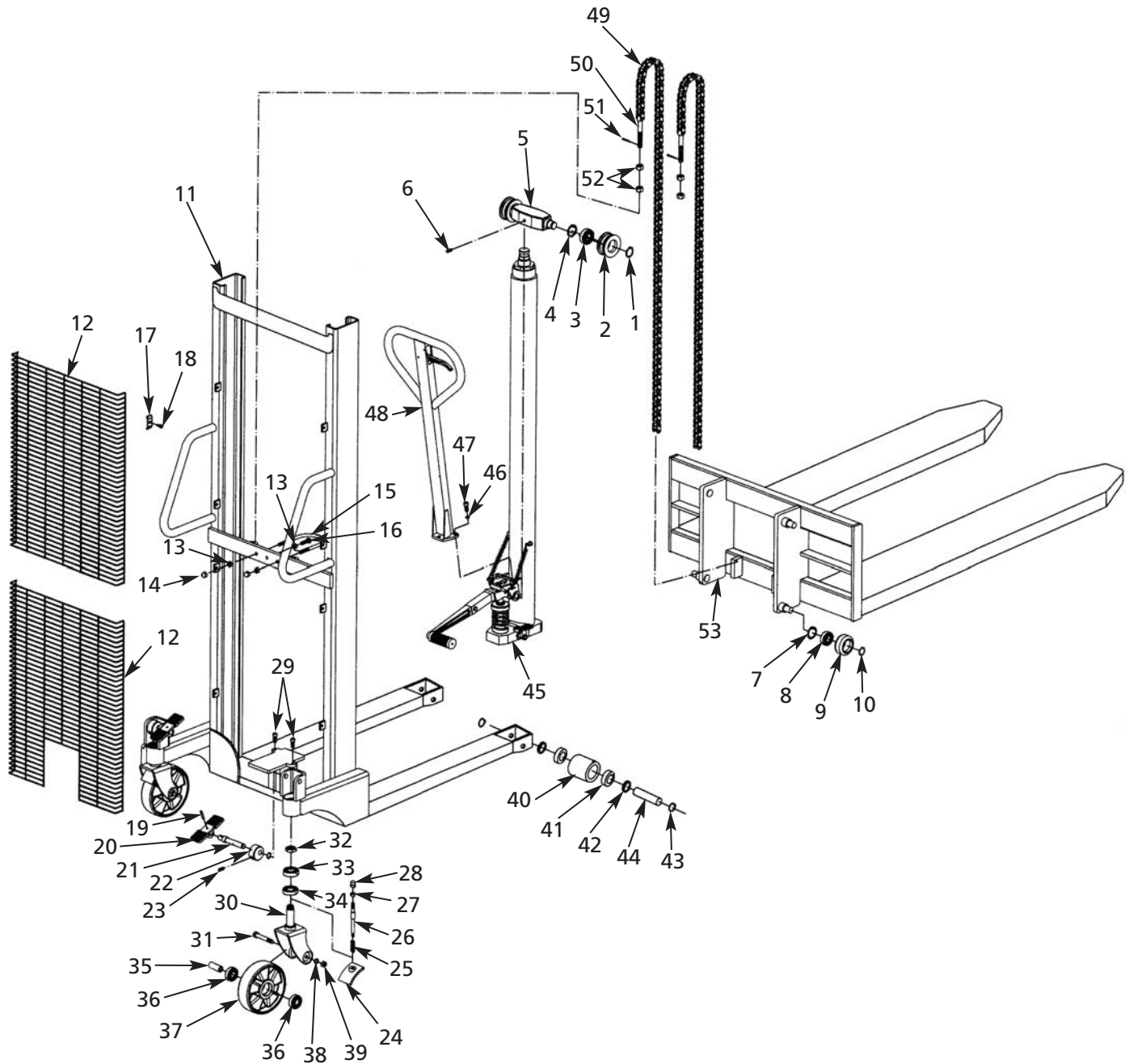


Figure 6 – Repair Parts Illustration for Fork Lift

# Model 4VMD9

## Repair Parts List for Fork Lift

Ref. No.	Description	Part No.	Qty.	Ref. No.	Description	Part No.	Qty.
1	Locking Ring	**	2	29	Bolt	**	2
	<b>Chain Roller Kit</b>	<b>MH4VME901G</b>			<b>Caster Kit</b>	<b>MH4VME908G</b>	
2	Chain Roller	▲	1	30	Wheel Frame with Brake	▲	1
3	Bearing	▲	1	31	Screw	▲	1
4	Locking Ring	▲	1	32	Nut	▲	1
5	Roller Block	*	1	33	Bearing	▲	1
6	Screw	**	1	34	Bearing	▲	1
	<b>Mast Roller Kit</b>	<b>MH4VME801G</b>		35	Wheel Axle	▲	1
7	Locking Ring	▲	1	36	Bearing	▲	2
8	Bearing	▲	1	37	Wheel	▲	1
9	Roller	▲	1	38	Lock Washer	▲	1
10	Locking Ring	**	8	39	Nut	▲	1
11	Mast	*	1		<b>Load Roller Kit</b>	<b>MH4VMD903G</b>	
12	Protective Grill (Upper)	MH4VMD901G	1	40	Load Roller	▲	1
	Protective Grill (Lower)	MH4VMD902G	1	41	Bearing	▲	2
13	Nut	**	3	42	Washer	▲	2
14	Nut	**	2	43	Locking Ring	▲	2
15	U-bolt	**	1	44	Roller Axle	▲	1
16	Bolt	**	1	45	Pump	See page 24	1
17	Press Washer	**	8	46	Lock Washer	**	3
18	Screw	**	8	47	Bolt	**	3
	<b>Brake Kit</b>	<b>MH4VME907G</b>		48	Handle	See page 22	1
19	Roll Pin	▲	1	49	Chain	MH4VMD904G	2
20	Foot Plate	▲	1		<b>Chain Bolt Kit</b>	<b>MH4VME912G</b>	
21	Shaft	▲	1	50	Chain Bolt	▲	1
22	Cam	▲	1	51	Spilt Pin	▲	1
23	Screw	▲	1	52	Nut	▲	2
24	Brake Plate	▲	1	53	Carriage	*	1
25	Spring	▲	1	Δ	<b>Replacement Label Kit</b>	<b>MH4VMD905G</b>	
26	Bolt	▲	1				
27	Nut	▲	1				
28	Nut	▲	1				

(▲) Available as part of kit only.

(\*) Not available as repair part.

(\*\*) Common hardware, not offered as a replacement part.

(Δ) Not Shown.

# For Repair Parts, call 1-800-323-0620

24 hours a day – 365 days a year

Please provide following information:

- Model number
- Serial number (if any)
- Part description and number as shown in parts list

ENGLISH

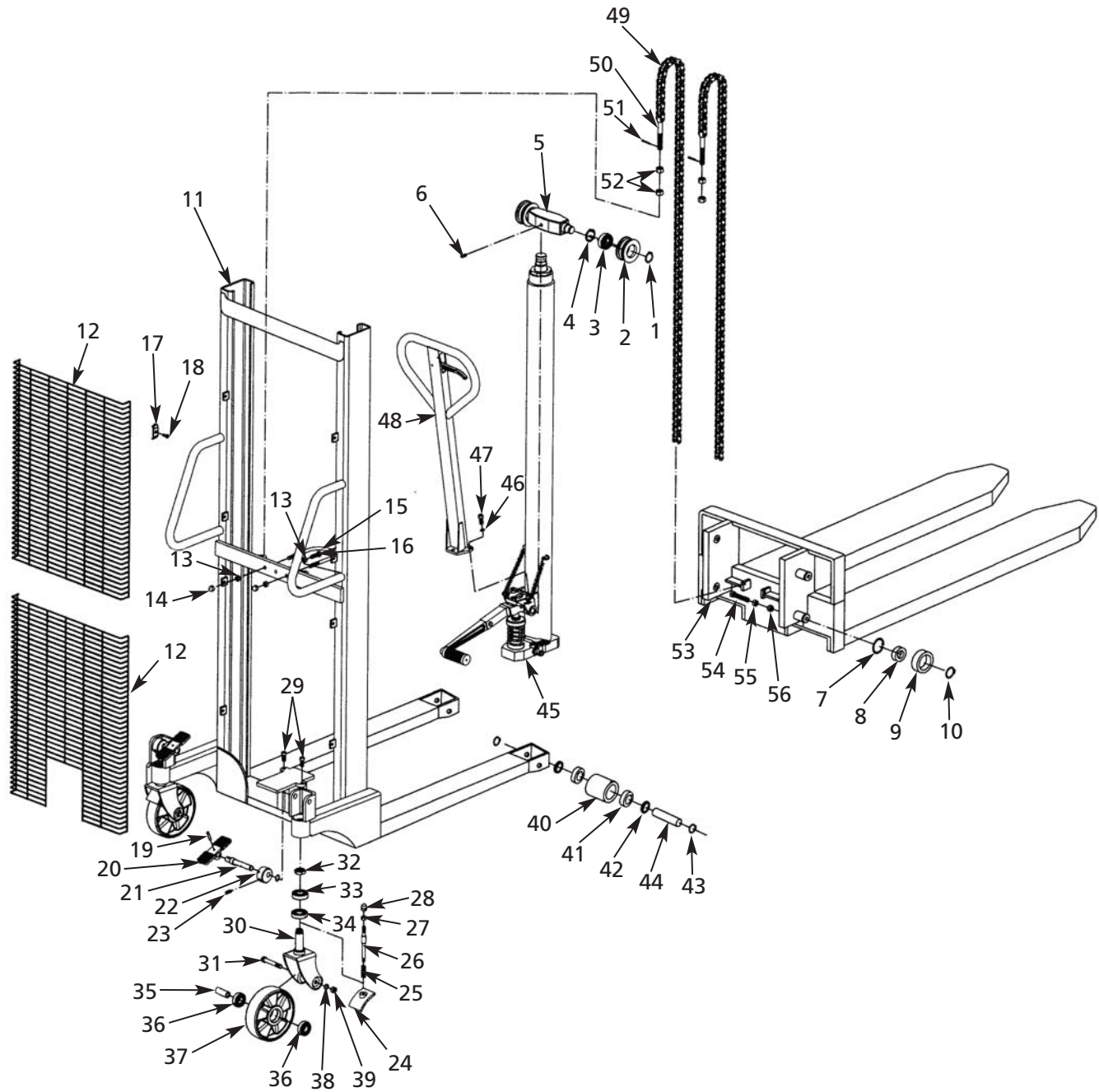


Figure 7 – Repair Parts Illustration for Fork Lift



# Model 4VME1

## Repair Parts List for Fork Lift

Ref. No.	Description	Part No.	Qty.	Ref. No.	Description	Part No.	Qty.
1	Locking Ring	**	2	29	Bolt	**	2
	<b>Chain Roller Kit</b>	<b>MH4VME901G</b>			<b>Caster Kit</b>	<b>MH4VME908G</b>	
2	Chain Roller	▲	1	30	Wheel Frame with Brake	▲	1
3	Bearing	▲	1	31	Screw	▲	1
4	Locking Ring	▲	1	32	Nut	▲	1
5	Roller Block	*	1	33	Bearing	▲	1
6	Screw	**	1	34	Bearing	▲	1
	<b>Mast Roller Kit</b>	<b>MH4VME101G</b>		35	Wheel Axle	▲	1
7	Locking Ring	▲	1	36	Bearing	▲	2
8	Bearing	▲	1	37	Wheel	▲	1
9	Roller	▲	1	38	Lock Washer	▲	1
10	Locking Ring	**	8	39	Nut	▲	1
11	Mast	*	1		<b>Load Roller Kit</b>	<b>MH4VMD903G</b>	
12	Protective Grill (Upper)	MH4VMD901G	1	40	Load Roller	▲	1
	Protective Grill (Lower)	MH4VMD902G	1	41	Bearing	▲	2
13	Nut	**	3	42	Washer	▲	2
14	Nut	**	2	43	Locking Ring	▲	2
15	U-Bolt	**	1	44	Roller Axle	▲	1
16	Bolt	**	1	45	Pump	See page 24	1
17	Press Washer	**	8	46	Lock Washer	**	3
18	Screw	**	8	47	Bolt	**	3
	<b>Brake Kit</b>	<b>MH4VME907G</b>		48	Handle	See page 22	1
19	Roll Pin	▲	1	49	Chain	MH4VMD904G	2
20	Foot Plate	▲	1		<b>Chain Bolt Kit</b>	<b>MH4VME912G</b>	
21	Shaft	▲	1	50	Chain Bolt	▲	1
22	Cam	▲	1	51	Spilt Pin	▲	1
23	Screw	▲	1	52	Nut	▲	2
24	Brake Plate	▲	1	53	Carriage	*	1
25	Spring	▲	1	54	Bolt	**	4
26	Bolt	▲	1	55	Nut	**	4
27	Nut	▲	1	56	Steel Ball	**	4
28	Nut	▲	1	Δ	<b>Replacement Label Kit</b>	<b>MH4VME102G</b>	

(▲) Available as part of kit only.

(\*) Not available as repair part.

(\*\*) Common hardware, not offered as a replacement part.

(Δ) Not Shown.

# For Repair Parts, call 1-800-323-0620

24 hours a day – 365 days a year

Please provide following information:

- Model number
- Serial number (if any)
- Part description and number as shown in parts list

ENGLISH

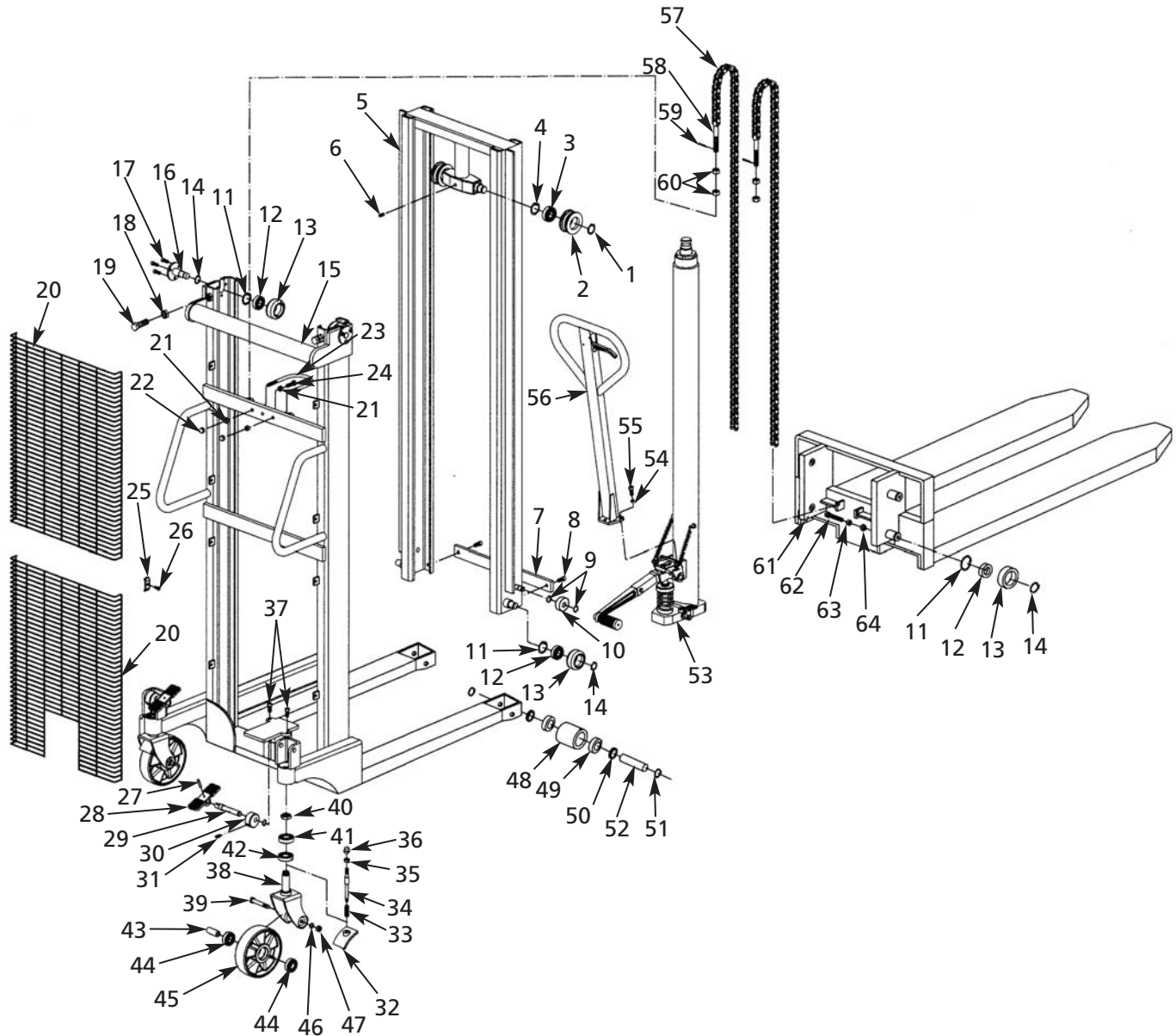


Figure 8 – Repair Parts Illustration for Fork Lift

# Models 4VME2 and 4VME3

## Repair Parts List for Fork Lift

Ref. No.	Description	Part No.	Qty.	Ref. No.	Description	Part No.	Qty.
1	Locking Ring	**	2	32	Brake Plate	▲	1
	<b>Chain Roller Kit</b>	<b>MH4VME901G</b>		33	Spring	▲	1
2	Chain Roller	▲	1	34	Bolt	▲	1
3	Bearing	▲	1	35	Nut	▲	1
4	Locking Ring	▲	1	36	Nut	▲	1
5	Inner Mast	*	1	37	Bolt	**	2
6	Screw	**	1		<b>Caster Kit</b>	<b>MH4VME908G</b>	
7	Connecting Plate	*	1	38	Wheel Frame with Brake	▲	1
8	Screw	**	2	39	Screw	▲	1
9	Locking Ring	**	4	40	Nut	▲	1
10	Roller	MH4VME902G	2	41	Bearing	▲	1
	<b>Mast Roller Kit</b>	<b>MH4VME903G</b>		42	Bearing	▲	1
11	Locking Ring	▲	1	43	Wheel Axle	▲	1
12	Bearing	▲	1	44	Bearing	▲	2
13	Roller	▲	1	45	Wheel	▲	1
14	Locking Ring	**	8	46	Lock Washer	▲	1
15	Outer Mast	*	1	47	Nut	▲	1
16	Shaft with Shoulder	MH4VME904G	2		<b>Load Roller Kit</b>	<b>MH4VMD903G</b>	
17	Bolt	**	6	48	Load Roller	▲	1
18	Nut	**	2	49	Bearing	▲	2
19	Bolt	**	2	50	Washer	▲	2
20	Protective Grill (Upper) (4VME2)	MH4VME905G	1	51	Locking Ring	▲	2
	Protective Grill (Upper) (4VME3)	MH4VMD901G	1	52	Roller Axle	▲	1
	Protective Grill (Lower) (4VME2)	MH4VME906G	1	53	Pump	See page 24	1
	Protective Grill (Lower) (4VME3)	MH4VMD902G	1	54	Lock Washer	**	3
21	Nut	**	3	55	Bolt	**	3
22	Nut	**	2	56	Handle	See page 22	1
23	U-Bolt	**	1	57	Chain (4VME2)	MH4VME201G	2
24	Bolt	**	1		Chain (4VME3)	MH4VME301G	2
25	Press Washer	**	8		<b>Chain Bolt Kit</b>	<b>MH4VME912G</b>	
26	Screw	**	8	58	Chain Bolt	▲	1
	<b>Brake Kit</b>	<b>MH4VME907G</b>		59	Spilt Pin	▲	1
27	Roll Pin	▲	1	60	Nut	▲	2
28	Foot Plate	▲	1	61	Carriage	*	1
29	Shaft	▲	1	62	Bolt	**	4
30	Cam	▲	1	63	Nut	**	4
31	Screw	▲	1	64	Steel Ball	**	4
				Δ	<b>Replacement Label Kit</b>	<b>MH4VMD905G</b>	

(▲) Available as part of kit only.

(\*) Not available as repair part.

(\*\*) Common hardware, not offered as a replacement part.

(Δ) Not Shown.

# For Repair Parts, call 1-800-323-0620

24 hours a day – 365 days a year

Please provide following information:

- Model number
- Serial number (if any)
- Part description and number as shown in parts list

E  
N  
G  
L  
I  
S  
H

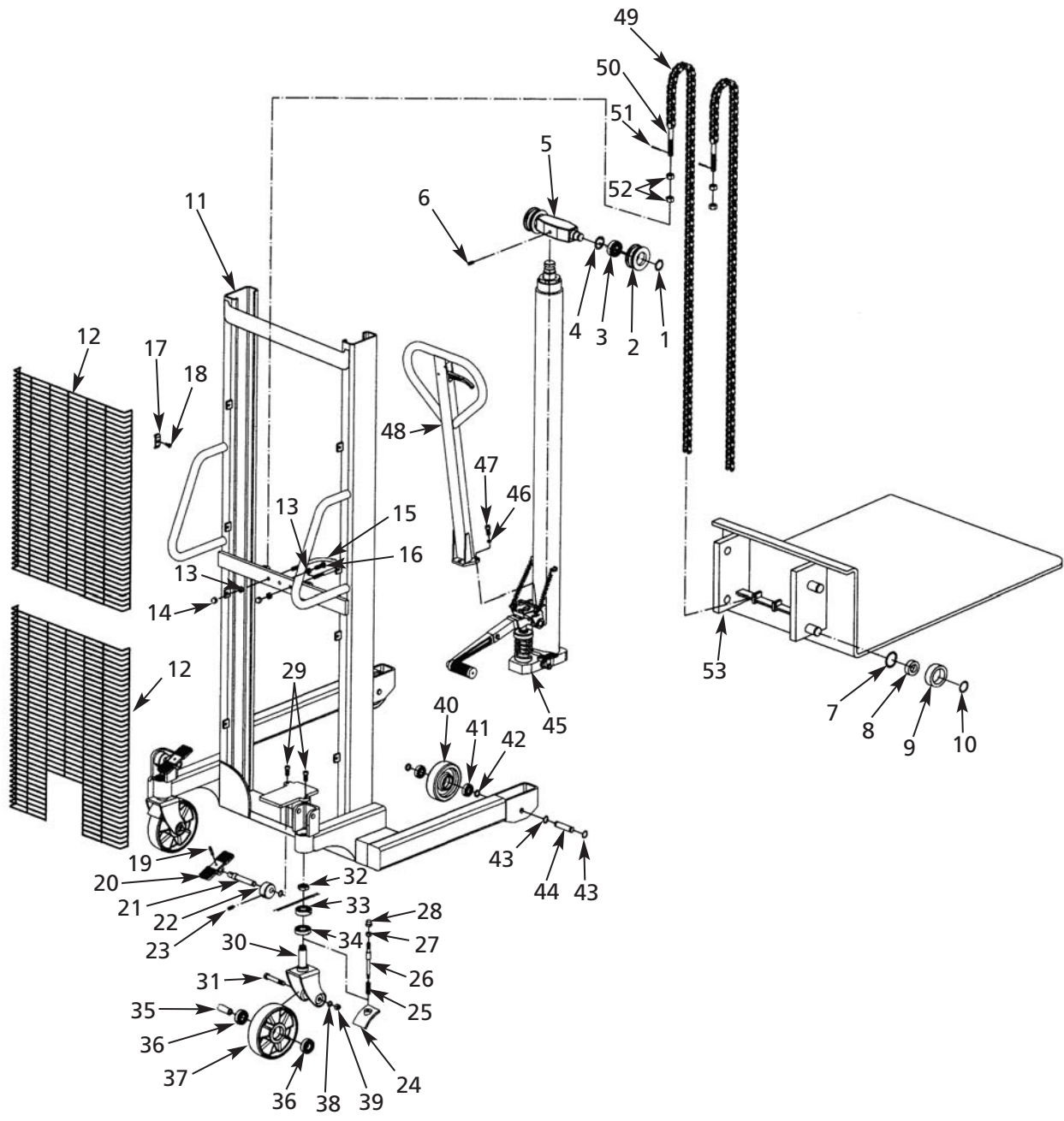


Figure 9 – Repair Parts Illustration for Platform Lift

# Model 4VME4

## Repair Parts List for Platform Lift

Ref. No.	Description	Part No.	Qty.	Ref. No.	Description	Part No.	Qty.
1	Locking Ring	**	2	29	Bolt	**	2
	<b>Chain Roller Kit</b>	<b>MH4VME901G</b>			<b>Caster Kit</b>	<b>MH4VME908G</b>	
2	Chain Roller	▲	1	30	Wheel Frame with Brake	▲	1
3	Bearing	▲	1	31	Screw	▲	1
4	Locking Ring	▲	1	32	Nut	▲	1
5	Roller Block	*	1	33	Bearing	▲	1
6	Screw	**	1	34	Bearing	▲	1
	<b>Mast Roller Kit</b>	<b>MH4VME801G</b>		35	Wheel Axle	▲	1
7	Locking Ring	▲	1	36	Bearing	▲	2
8	Bearing	▲	1	37	Wheel	▲	1
9	Roller	▲	1	38	Lock Washer	▲	1
10	Locking Ring	**	8	39	Nut	▲	1
11	Mast	*	1		<b>Load Roller Kit</b>	<b>MH4VME910G</b>	
12	Protective Grill (Upper)	MH4VMD901G	1	40	Load Roller	▲	1
	Protective Grill (Lower)	MH4VMD902G	1	41	Bearing	▲	2
13	Nut	**	3	42	Washer	▲	2
14	Nut	**	2	43	Locking Ring	▲	2
15	U-Bolt	**	1	44	Roller Axle	▲	1
16	Bolt	**	1	45	Pump	See page 24	1
17	Press Washer	**	8	46	Lock Washer	**	3
18	Screw	**	8	47	Bolt	**	3
	<b>Brake Kit</b>	<b>MH4VME907G</b>		48	Handle	See page 22	1
19	Roll Pin	▲	1	49	Chain	MH4VMD904G	2
20	Foot Plate	▲	1		<b>Chain Bolt Kit</b>	<b>MH4VME912G</b>	
21	Shaft	▲	1	50	Chain Bolt	▲	1
22	Cam	▲	1	51	Spilt Pin	▲	1
23	Screw	▲	1	52	Nut	▲	2
24	Brake Plate	▲	1	53	Carriage	MH4VME401G	1
25	Spring	▲	1	Δ	<b>Replacement Label Kit</b>	<b>MH4VME402G</b>	
26	Bolt	▲	1				
27	Nut	▲	1				
28	Nut	▲	1				

(▲) Available as part of kit only.

(\*) Not available as repair part.

(\*\*) Common hardware, not offered as a replacement part.

(Δ) Not Shown.

# For Repair Parts, call 1-800-323-0620

24 hours a day – 365 days a year

Please provide following information:

- Model number
- Serial number (if any)
- Part description and number as shown in parts list

E  
N  
G  
L  
I  
S  
H

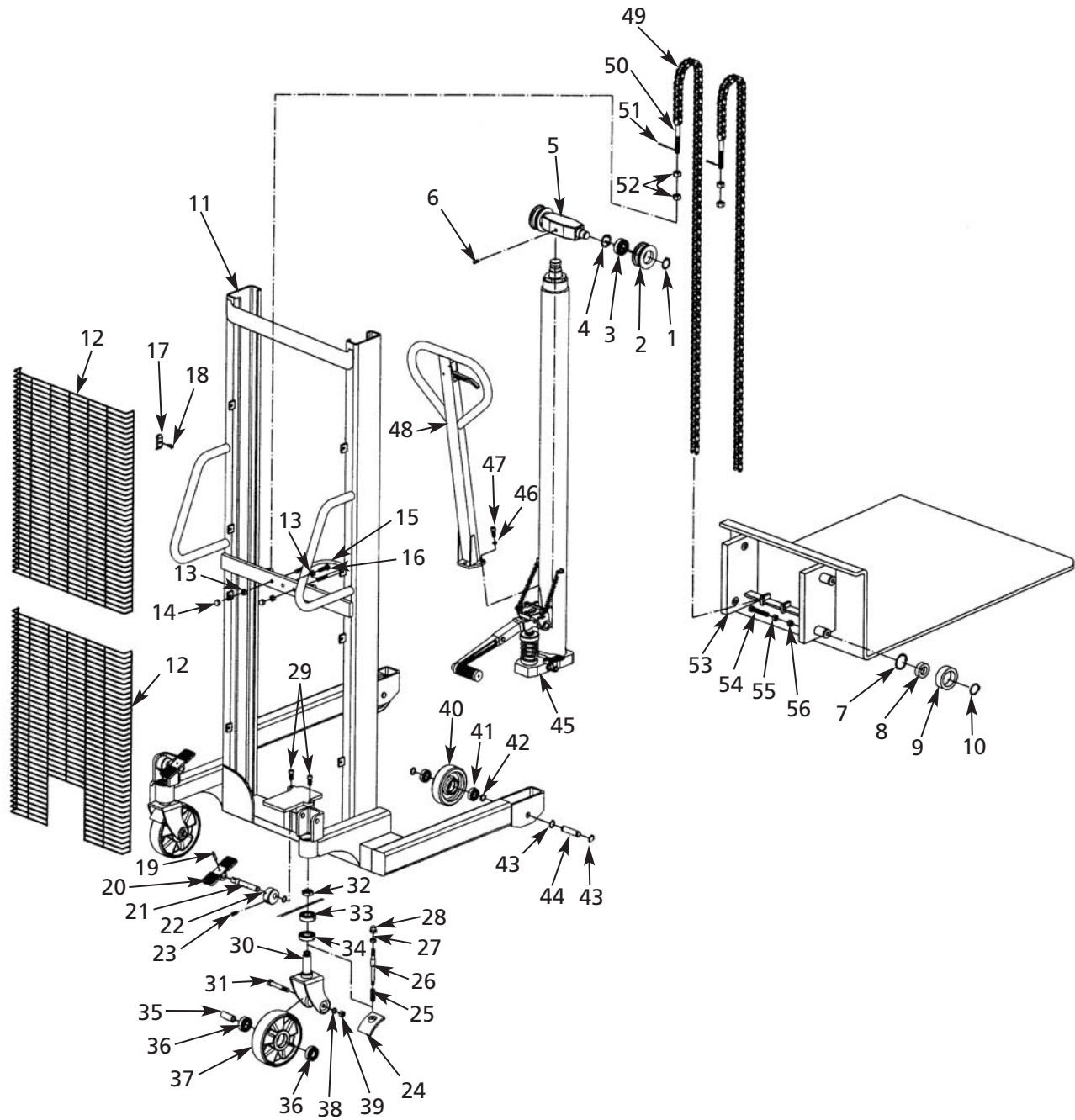


Figure 10 – Repair Parts Illustration for Platform Lift

# Model 4VME5

## Repair Parts List for Platform Lift

Ref. No.	Description	Part No.	Qty.	Ref. No.	Description	Part No.	Qty.
1	Locking Ring	**	2	29	Bolt	**	2
	<b>Chain Roller Kit</b>	<b>MH4VME901G</b>			<b>Caster Kit</b>	<b>MH4VME908G</b>	
2	Chain Roller	▲	1	30	Wheel Frame with Brake	▲	1
3	Bearing	▲	1	31	Screw	▲	1
4	Locking Ring	▲	1	32	Nut	▲	1
5	Roller Block	*	1	33	Bearing	▲	1
6	Screw	**	1	34	Bearing	▲	1
	<b>Mast Roller Kit</b>	<b>MH4VME101G</b>		35	Wheel Axle	▲	1
7	Locking Ring	▲	1	36	Bearing	▲	2
8	Bearing	▲	1	37	Wheel	▲	1
9	Roller	▲	1	38	Lock Washer	▲	1
10	Locking Ring	**	8	39	Nut	▲	1
11	Mast	*	1		<b>Load Roller Kit</b>	<b>MH4VME910G</b>	
12	Protective Grill (Upper)	MH4VMD901G	1	40	Load Roller	▲	1
	Protective Grill (Lower)	MH4VMD902G	1	41	Bearing	▲	2
13	Nut	**	3	42	Washer	▲	2
14	Nut	**	2	43	Locking Ring	▲	2
15	U-Bolt	**	1	44	Roller Axle	▲	1
16	Bolt	**	1	45	Pump	See page 24	1
17	Press Washer	**	8	46	Lock Washer	**	3
18	Screw	**	8	47	Bolt	**	3
	<b>Brake Kit</b>	<b>MH4VME907G</b>		48	Handle	See page 22	1
19	Roll Pin	▲	1	49	Chain	MH4VMD904G	2
20	Foot Plate	▲	1		<b>Chain Bolt Kit</b>	<b>MH4VME912G</b>	
21	Shaft	▲	1	50	Chain Bolt	▲	1
22	Cam	▲	1	51	Spilt Pin	▲	1
23	Screw	▲	1	52	Nut	▲	2
24	Brake Plate	▲	1	53	Carriage	MH4VME501G	1
25	Spring	▲	1	54	Bolt	**	4
26	Bolt	▲	1	55	Nut	**	4
27	Nut	▲	1	56	Steel Ball	**	4
28	Nut	▲	1	Δ	<b>Replacement Label Kit</b>	<b>MH4VME502G</b>	

(▲) Available as part of kit only.

(\*) Not available as repair part.

(\*\*) Common hardware, not offered as a replacement part.

(Δ) Not Shown.

# For Repair Parts, call 1-800-323-0620

24 hours a day – 365 days a year

Please provide following information:

- Model number
- Serial number (if any)
- Part description and number as shown in parts list

E  
N  
G  
L  
I  
S  
H

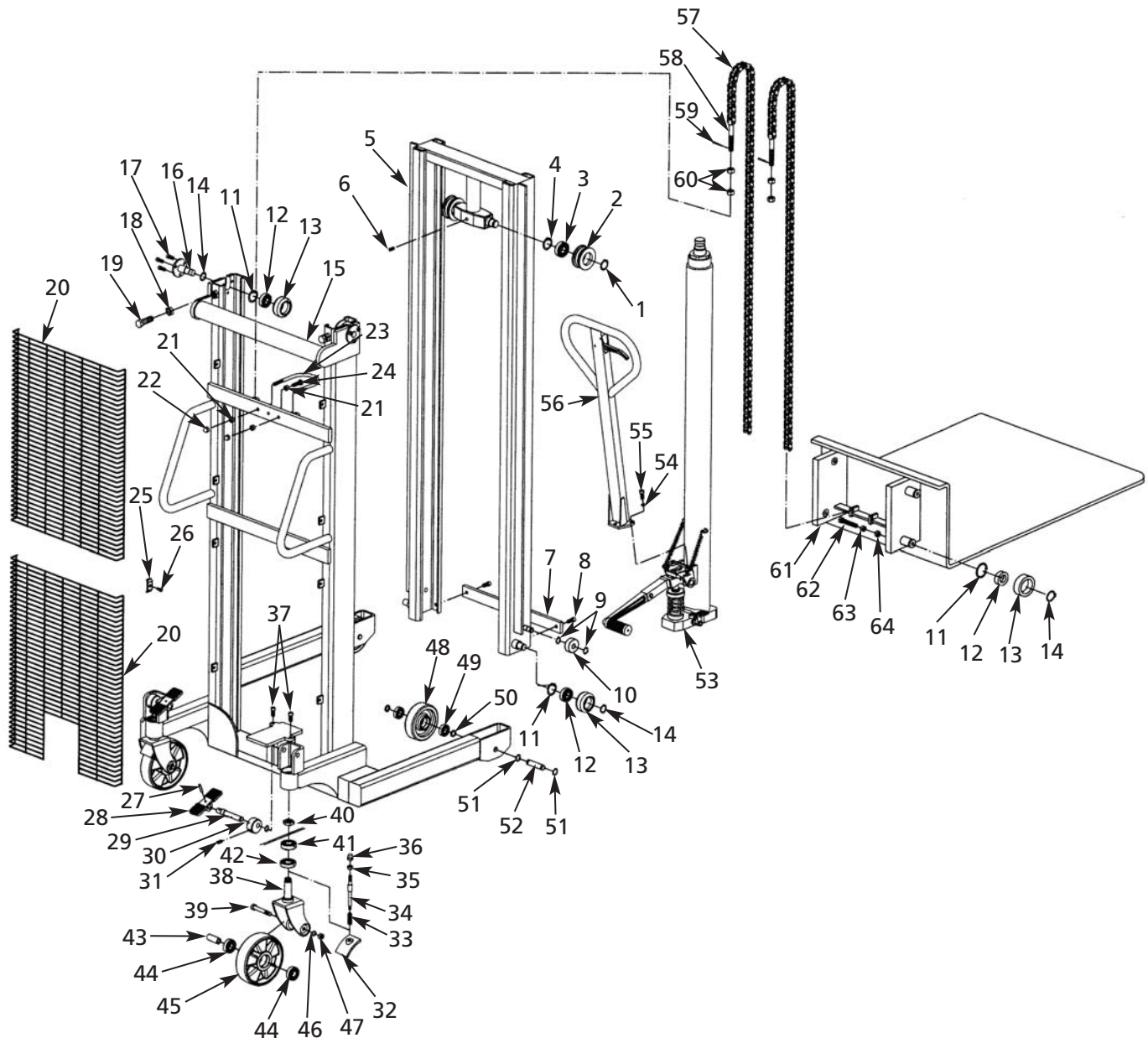


Figure 11 – Repair Parts Illustration for Platform Lift



# Models 4VME6 and 4VME7

## Repair Parts List for Platform Lift

Ref. No.	Description	Part No.	Qty.	Ref. No.	Description	Part No.	Qty.
1	Locking Ring	**	2	32	Brake Plate	▲	1
	<b>Chain Roller Kit</b>	<b>MH4VME901G</b>		33	Spring	▲	1
2	Chain Roller	▲	1	34	Bolt	▲	1
3	Bearing	▲	1	35	Nut	▲	1
4	Locking Ring	▲	1	36	Nut	▲	1
5	Inner Mast	*	1	37	Bolt	**	2
6	Screw	**	1		<b>Caster Kit</b>	<b>MH4VME908G</b>	
7	Connecting Plate	*	1	38	Wheel Frame with Brake	▲	1
8	Screw	**	2	39	Screw	▲	1
9	Locking Ring	**	4	40	Nut	▲	1
10	Roller	MH4VME902G	2	41	Bearing	▲	1
	<b>Mast Roller Kit</b>	<b>MH4VME903G</b>		42	Bearing	▲	1
11	Locking Ring	▲	1	43	Wheel Axle	▲	1
12	Bearing	▲	1	44	Bearing	▲	2
13	Roller	▲	1	45	Wheel	▲	1
14	Locking Ring	**	8	46	Lock Washer	▲	1
15	Outer Mast	*	1	47	Nut	▲	1
16	Shaft with Shoulder	MH4VME904G	2		<b>Load Roller Kit</b>	<b>MH4VME910G</b>	
17	Bolt	**	6	48	Load Roller	▲	1
18	Nut	**	2	49	Bearing	▲	2
19	Bolt	**	2	50	Washer	▲	2
20	Protective Grill (Upper) (4VME6)	MH4VME905G	1	51	Locking Ring	▲	2
	Protective Grill (Upper) (4VME7)	MH4VMD901G	1	52	Roller Axle	▲	1
	Protective Grill (Lower) (4VME6)	MH4VME906G	1	53	Pump	See page 24	1
	Protective Grill (Lower) (4VME7)	MH4VMD902G	1	54	Lock Washer	**	3
21	Nut	**	3	55	Bolt	**	3
22	Nut	**	2	56	Handle	See page 22	1
23	U-Bolt	**	1	57	Chain (4VME6)	MH4VME201G	2
24	Bolt	**	1		Chain (4VME7)	MH4VME301G	2
25	Press Washer	**	8		<b>Chain Bolt Kit</b>	<b>MH4VME912G</b>	
26	Screw	**	8	58	Chain Bolt	▲	1
	<b>Brake Kit</b>	<b>MH4VME907G</b>		59	Spilt Pin	▲	1
27	Roll Pin	▲	1	60	Nut	▲	2
28	Foot Plate	▲	1	61	Carriage	MH4VME601G	1
29	Shaft	▲	1	62	Bolt	**	4
30	Cam	▲	1	63	Nut	**	4
31	Screw	▲	1	64	Steel Ball	**	4
				Δ	<b>Replacement Label Kit</b>	<b>MH4VME402G</b>	

(▲) Available as part of kit only.

(\*) Not available as repair part.

(\*\*) Common hardware, not offered as a replacement part.

(Δ) Not Shown.

# For Repair Parts, call 1-800-323-0620

24 hours a day – 365 days a year

Please provide following information:

- Model number
- Serial number (if any)
- Part description and number as shown in parts list

E  
N  
G  
L  
I  
S  
H

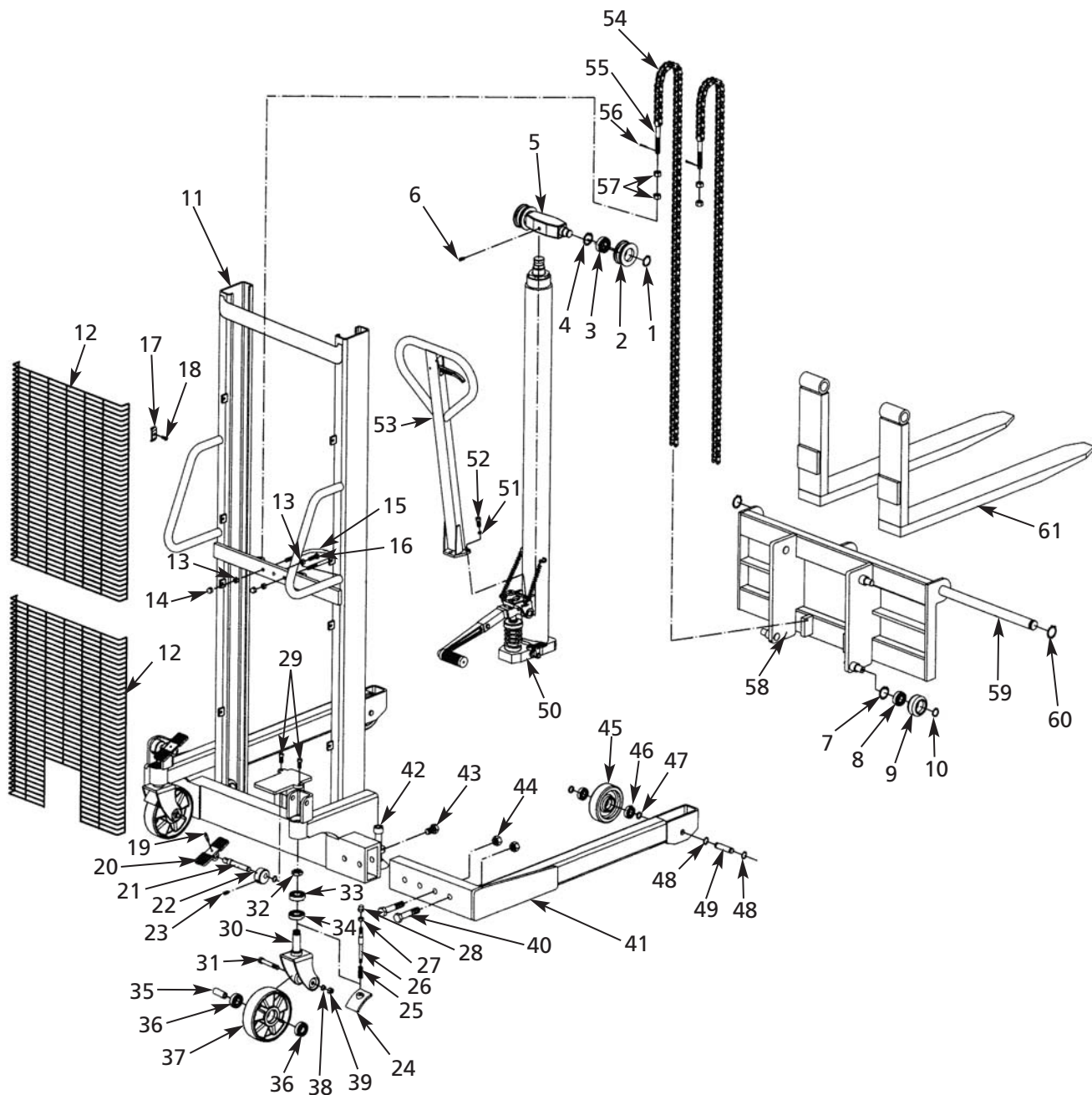


Figure 12 – Repair Parts Illustration for Fork Lift

# Model 4VME8

## Repair Parts List for Fork Lift

Ref. No.	Description	Part No.	Qty.	Ref. No.	Description	Part No.	Qty.
1	Locking Ring	**	2	31	Screw	▲	1
	<b>Chain Roller Kit</b>	<b>MH4VME901G</b>		32	Nut	▲	1
2	Chain Roller	▲	1	33	Bearing	▲	1
3	Bearing	▲	1	34	Bearing	▲	1
4	Locking Ring	▲	1	35	Wheel Axle	▲	1
5	Roller Block	*	1	36	Bearing	▲	2
6	Screw	**	1	37	Wheel	▲	1
	<b>Mast Roller Kit</b>	<b>MH4VME801G</b>		38	Lock Washer	▲	1
7	Locking Ring	▲	1	39	Nut	▲	1
8	Bearing	▲	1	40	Bolt	**	4
9	Roller	▲	1	41	Straddle Leg (Right)	*	1
10	Locking Ring	**	8		Straddle Leg (Left)	*	1
11	Mast	*	1	42	Holding Bolt	MH4VME909G	2
12	Protective Grill (Upper)	MH4VMD901G	1	43	Bolt	**	2
	Protective Grill (Lower)	MH4VMD902G	1	44	Nut	**	4
13	Nut	**	3		<b>Load Roller Kit</b>	<b>MH4VME910G</b>	
14	Nut	**	2	45	Load Roller	▲	1
15	U-Bolt	**	1	46	Bearing	▲	2
16	Bolt	**	1	47	Washer	▲	2
17	Press Washer	**	8	48	Locking Ring	▲	2
18	Screw	**	8	49	Roller Axle	▲	1
	<b>Brake Kit</b>	<b>MH4VME907G</b>		50	Pump	See page 24	1
19	Roll Pin	▲	1	51	Lock Washer	**	3
20	Foot Plate	▲	1	52	Bolt	**	3
21	Shaft	▲	1	53	Handle	See page 22	1
22	Cam	▲	1	54	Chain	MH4VME802G	2
23	Screw	▲	1		<b>Chain Bolt Kit</b>	<b>MH4VME912G</b>	
24	Brake Plate	▲	1	55	Chain Bolt	▲	1
25	Spring	▲	1	56	Spilt Pin	▲	1
26	Bolt	▲	1	57	Nut	▲	2
27	Nut	▲	1	58	Carriage	*	1
28	Nut	▲	1	59	Shaft	MH4VME913G	1
29	Bolt	**	2	60	Locking Ring	**	2
	<b>Caster Kit</b>	<b>MH4VME908G</b>		61	Fork	MH4VME914G	2
30	Wheel Frame with Brake	▲	1	Δ	<b>Replacement Label Kit</b>	<b>MH4VME915G</b>	

(▲) Available as part of kit only.

(\*) Not available as repair part.

(\*\*) Common hardware, not offered as a replacement part.

(Δ) Not Shown.

# For Repair Parts, call 1-800-323-0620

24 hours a day – 365 days a year

Please provide following information:

- Model number
- Serial number (if any)
- Part description and number as shown in parts list

E  
N  
G  
L  
I  
S  
H

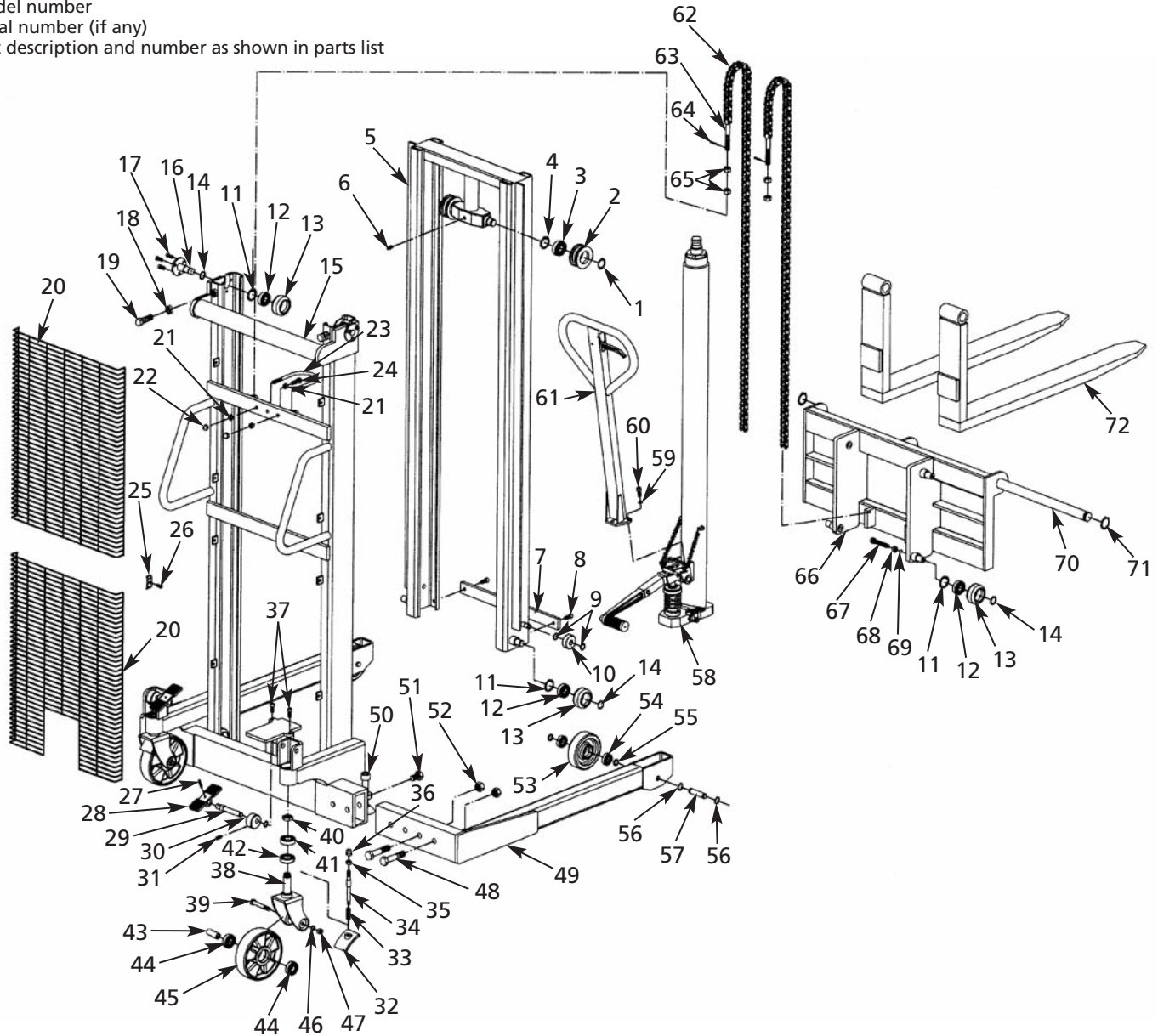


Figure 13 – Repair Parts Illustration for Fork Lift

## Repair Parts List for Fork Lift

Ref. No.	Description	Part No.	Qty.	Ref. No.	Description	Part No.	Qty.
1	Locking Ring	**	2	5	Inner Mast	*	1
	<b>Chain Roller Kit</b>	<b>MH4VME901G</b>		6	Screw	**	1
2	Chain Roller	▲	1	7	Connecting Plate	*	1
3	Bearing	▲	1	8	Screw	**	2
4	Locking Ring	▲	1	9	Locking Ring	**	4

(▲) Available as part of kit only.

(\*) Not available as repair part.

(\*\*) Common hardware, not offered as a replacement part.

# Models 4VME9 and 4VMF1

## Repair Parts List for Fork Lift (Continued)

Ref. No.	Description	Part No.	Qty.	Ref. No.	Description	Part No.	Qty.
10	Roller	MH4VME902G	2	41	Bearing	▲	1
	<b>Mast Roller Kit</b>	<b>MH4VME903G</b>		42	Bearing	▲	1
11	Locking Ring	▲	1	43	Wheel Axle	▲	1
12	Bearing	▲	1	44	Bearing	▲	2
13	Roller	▲	1	45	Wheel	▲	1
14	Locking Ring	**	8	46	Lock Washer	▲	1
15	Outer Mast	*	1	47	Nut	▲	1
16	Shaft with Shoulder	MH4VME904G	2	48	Bolt	**	4
17	Bolt	**	6	49	Straddle Leg (Right)	*	1
18	Nut	**	2		Straddle Leg (Left)	*	1
19	Bolt	**	2	50	Holding Bolt	MH4VME909G	2
20	Protective Grill (Upper) (4VME9)	MH4VME905G	1	51	Bolt	**	2
	Protective Grill (Upper) (4VMF1)	MH4VMD901G	1	52	Nut	**	4
	Protective Grill (Lower) (4VME9)	MH4VME906G	1		<b>Load Roller Kit</b>	<b>MH4VME910G</b>	
	Protective Grill (Lower) (4VMF1)	MH4VMD902G	1	53	Load Roller	▲	1
21	Nut	**	3	54	Bearing	▲	2
22	Nut	**	2	55	Washer	▲	2
23	U-Bolt	**	1	56	Locking Ring	▲	2
24	Bolt	**	1	57	Roller Axle	▲	1
25	Press Washer	**	8	58	Pump	See page 24	1
26	Screw	**	8	59	Lock Washer	**	3
	<b>Brake Kit</b>	<b>MH4VME907G</b>		60	Bolt	**	3
27	Roll Pin	▲	1	61	Handle	See page 22	1
28	Foot Plate	▲	1	62	Chain (4VME9)	MH4VME911G	2
29	Shaft	▲	1		Chain (4VMF1)	MH4VMF101G	2
30	Cam	▲	1		<b>Chain Bolt Kit</b>	<b>MH4VME912G</b>	
31	Screw	▲	1	63	Chain Bolt	▲	1
32	Brake Plate	▲	1	64	Spilt Pin	▲	1
33	Spring	▲	1	65	Nut	▲	2
34	Bolt	▲	1	66	Carriage	*	1
35	Nut	▲	1	67	Bolt	**	4
36	Nut	▲	1	68	Nut	**	4
37	Bolt	**	2	69	Steel Ball	**	4
	<b>Caster Kit</b>	<b>MH4VME908G</b>		70	Shaft	MH4VME913G	1
38	Wheel Frame with Brake	▲	1	71	Locking Ring	**	2
39	Screw	▲	1	72	Fork	MH4VME914G	2
40	Nut	▲	1	Δ	<b>Replacement Label Kit</b>	<b>MH4VME915G</b>	

(▲) Available as part of kit only.

(\*) Not available as repair part.

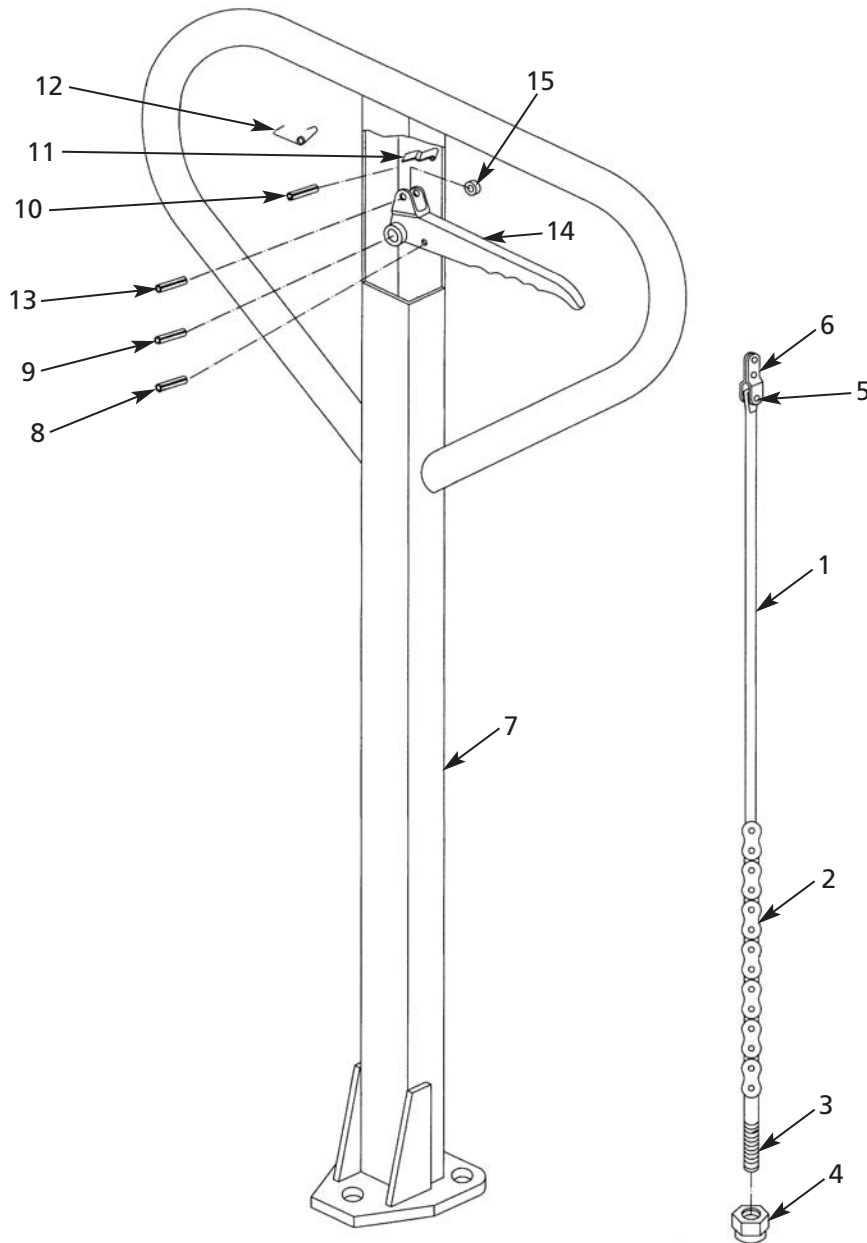
(\*\*) Common hardware, not offered as a replacement part.

(Δ) Not Shown.

**For Repair Parts, call 1-800-323-0620****24 hours a day – 365 days a year**

Please provide following information:

- Model number
- Serial number (if any)
- Part description and number as shown in parts list

**Figure 14 – Repair Parts Illustration for Handle Unit**

# Models 4VMD9, 4VME1 thru 4VME9 and 4VMF1

## Repair Parts List for Handle Unit

Ref. No.	Description	Part No.	Qty.	Ref. No.	Description	Part No.	Qty.
<b>Chain Kit</b>				<b>MH4VME916G</b>			
1	Release Rod	▲	1	9	Roll Pin	MHG112G	4
2	Chain	▲	1	10	Roll Pin	MHG115G	1
3	Adjusting Bolt	▲	1	11	Blade Spring	MHG113G	1
4	Adjusting Nut	▲	1	12	Spring	MHG114G	1
5	Pin	▲	1	<b>Control Lever Kit</b>			
6	Pull Board	▲	1	<b>MHAC06G</b>			
7	Handle	MH4VME917G	1	13	Roll Pin	▲	1
8	Roll Pin	MHG116G	1	14	Control Lever	▲	1
				15	Roller	▲	1

(▲) Available as part of kit only.

# For Repair Parts, call 1-800-323-0620

24 hours a day – 365 days a year

Please provide following information:

- Model number
- Serial number (if any)
- Part description and number as shown in parts list

E  
N  
G  
L  
I  
S  
H

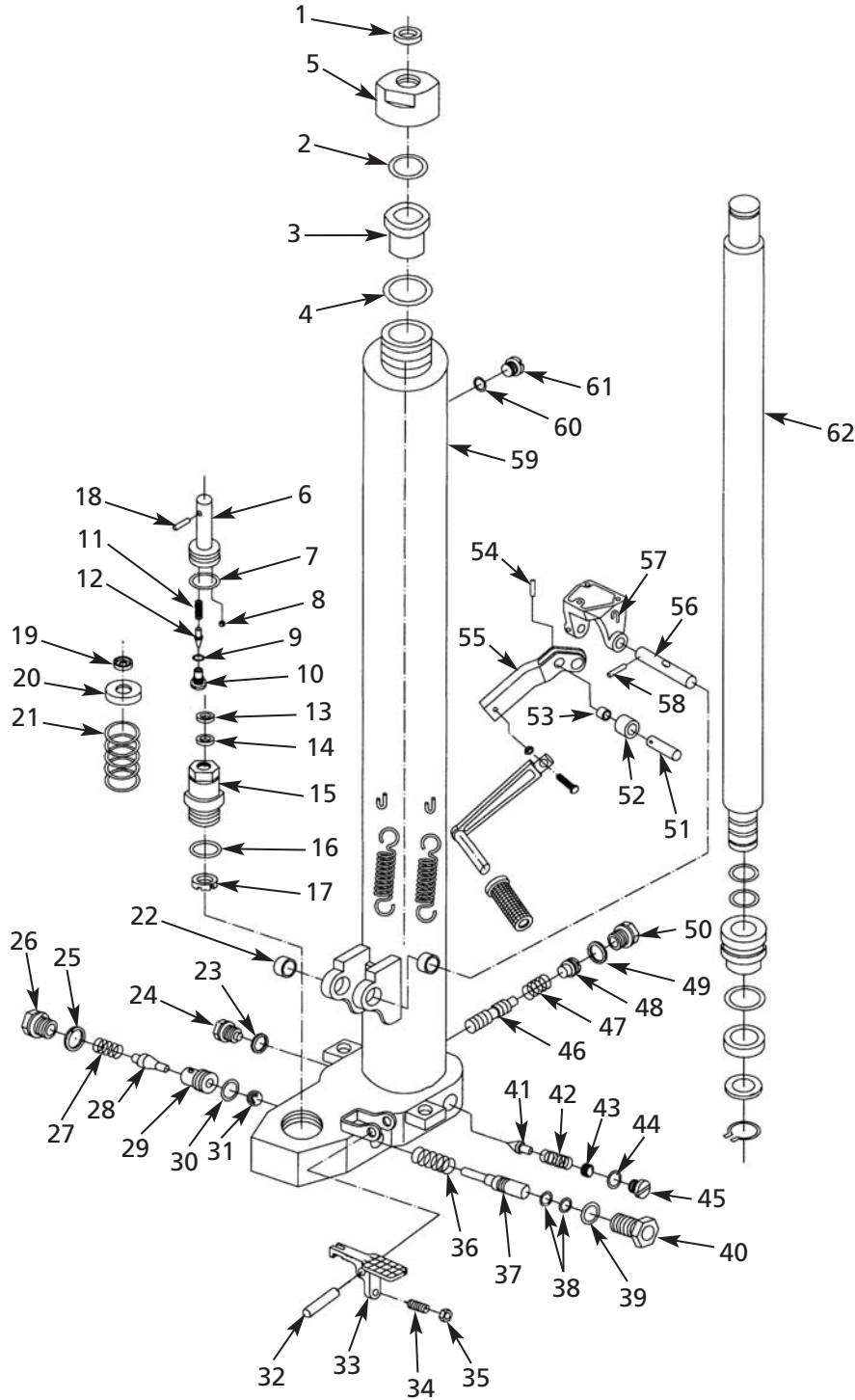


Figure 15A – Repair Parts Illustration for Pump Unit



# Models 4VMD9, 4VME1 thru 4VME9 and 4VMF1

## Repair Parts List for Pump Unit

Ref. No.	Description	Part No.	Qty.	Ref. No.	Description	Part No.	Qty.
<b>Upper Seal Kit</b>				<b>Lever Plate Kit</b>			
1	Dust Ring	▲	1	33	Lever Plate	▲	1
2	O-Ring	▲	1	34	Set Screw	▲	1
3	Sleeve	▲	1	35	Nut	▲	1
4	Seal Washer	▲	1	<b>Releasing Valve Kit</b>			
5	Cylinder Cap	*	1	36	Spring	▲	1
<b>Pump Piston Rod Kit</b>				37	Release Valve Pin	▲	1
6	Pump Piston Rod	▲	1	38	O-Ring	▲	1
7	O-Ring	▲	1	39	O-Ring	▲	1
8	Steel Ball	▲	1	40	Bolt	▲	1
9	O-Ring	▲	1	<b>Safety Valve Kit</b>			
10	Screw	▲	1	41	Safety Valve Spindle	▲	1
11	Valve Spindle	▲	1	42	Spring	▲	1
12	Pin Cap	▲	1	43	Adjusting Screw	▲	1
<b>Pump Cylinder Kit</b>				44	O-Ring	▲	1
13	Dust Ring	▲	1	45	Bolt	▲	1
14	Seal	▲	1	<b>Velocity Adjustment Valve Kit</b>			
15	Pumping Cylinder	▲	1	46	Adjustment Pin	▲	1
16	O-Ring	▲	1	47	Spring	▲	1
17	Washer	▲	1	48	Adjusting Screw	▲	1
<b>Pump Spring Kit</b>				49	Seal Washer	▲	1
18	Pin	▲	1	50	Bolt	▲	1
19	Pin Cap	▲	1	<b>Pedal Lever Kit</b>			
20	Spring Cap	▲	1	51	Shaft For Roller	▲	1
21	Spring	▲	1	52	Pressure Roller	▲	1
22	Bushing	MH4VME922G	1	53	Bushing	▲	1
<b>Drain Plug Kit</b>				54	Roll Pin	▲	1
23	Seal Washer	▲	1	55	Pedal Lever	▲	1
24	Plug	▲	1	56	Shaft Pin	MH4VME930G	1
<b>Hydraulic Valve Kit</b>				57	Bracket	MH4VME931G	1
25	Seal Washer	▲	1	58	Roll Pin	**	1
26	Bolt	▲	1	59	Pump Body	*	1
27	Spring	▲	1	<b>Fill Plug Kit</b>			
28	Pump Valve Spindle	▲	1	60	Seal Washer	▲	1
29	Pump Valve Seat	▲	1	61	Plug	▲	1
30	O-Ring	▲	1	62	Piston Rod	*	1
31	Steel Ball	▲	1				
32	Roll Pin	**	1				

(▲) Available as part of kit only.

(\*) Not available as repair part.

(\*\*) Common hardware, not offered as a replacement part.

# For Repair Parts, call 1-800-323-0620

24 hours a day – 365 days a year

Please provide following information:

- Model number
- Serial number (if any)
- Part description and number as shown in parts list

E  
N  
G  
L  
I  
S  
H

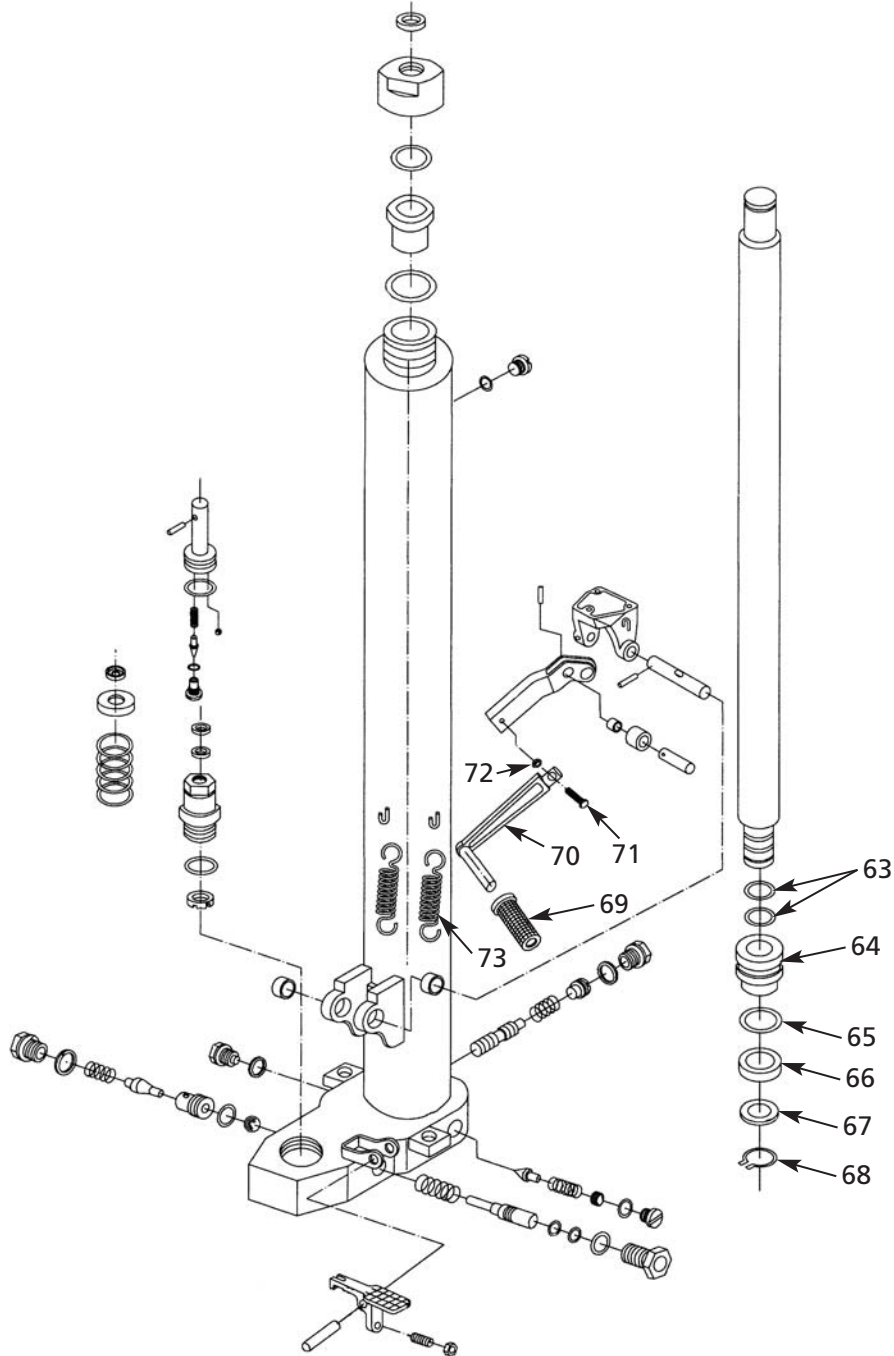


Figure 15B – Repair Parts Illustration for Pump Unit (Continued)

# Models 4VMD9, 4VME1 thru 4VME9 and 4VMF1

## Repair Parts List for Pump Unit (Continued)

Ref. No.	Description	Part No.	Qty.	Ref. No.	Description	Part No.	Qty.
<b>Piston Kit</b>				<b>Pedal Kit</b>			
<b>MH4VME933G</b>				<b>MH4VME934G</b>			
63	O-Ring	▲	2	69	Pedal Lever	▲	1
64	Piston	▲	1	70	Rubber Sleeve	▲	1
65	O-Ring	▲	1	71	Bolt	**	1
66	Seal	▲	1	72	Nut	**	1
67	Washer	▲	1	73	Spring	MH4VME935G	2
68	Locking Ring	▲	1				

(▲) Available as part of kit only.

(\*) Not available as repair part.

(\*\*) Common hardware, not offered as a replacement part.

# Dayton® Fork and Platform Lifts

## LIMITED WARRANTY

**DAYTON ONE-YEAR LIMITED WARRANTY.** DAYTON® FORK AND PLATFORM LIFTS, MODELS COVERED IN THIS MANUAL, ARE WARRANTED BY DAYTON ELECTRIC MFG. CO. (DAYTON) TO THE ORIGINAL USER AGAINST DEFECTS IN WORKMANSHIP OR MATERIALS UNDER NORMAL USE FOR ONE YEAR AFTER DATE OF PURCHASE. ANY PART WHICH IS DETERMINED TO BE DEFECTIVE IN MATERIAL OR WORKMANSHIP AND RETURNED TO AN AUTHORIZED SERVICE LOCATION, AS DAYTON DESIGNATES, SHIPPING COSTS PREPAID, WILL BE, AS THE EXCLUSIVE REMEDY, REPAIRED OR REPLACED AT DAYTON'S OPTION. FOR LIMITED WARRANTY CLAIM PROCEDURES, SEE "PROMPT DISPOSITION" BELOW. THIS LIMITED WARRANTY GIVES PURCHASERS SPECIFIC LEGAL RIGHTS WHICH VARY FROM JURISDICTION TO JURISDICTION.

**LIMITATION OF LIABILITY.** TO THE EXTENT ALLOWABLE UNDER APPLICABLE LAW, DAYTON'S LIABILITY FOR CONSEQUENTIAL AND INCIDENTAL DAMAGES IS EXPRESSLY DISCLAIMED. DAYTON'S LIABILITY IN ALL EVENTS IS LIMITED TO AND SHALL NOT EXCEED THE PURCHASE PRICE PAID.

**WARRANTY DISCLAIMER.** A DILIGENT EFFORT HAS BEEN MADE TO PROVIDE PRODUCT INFORMATION AND ILLUSTRATE THE PRODUCTS IN THIS LITERATURE ACCURATELY; HOWEVER, SUCH INFORMATION AND ILLUSTRATIONS ARE FOR THE SOLE PURPOSE OF IDENTIFICATION, AND DO NOT EXPRESS OR IMPLY A WARRANTY THAT THE PRODUCTS ARE MERCHANTABILITY, OR FIT FOR A PARTICULAR PURPOSE, OR THAT THE PRODUCTS WILL NECESSARILY CONFORM TO THE ILLUSTRATIONS OR DESCRIPTIONS. EXCEPT AS PROVIDED BELOW, NO WARRANTY OR AFFIRMATION OF FACT, EXPRESSED OR IMPLIED, OTHER THAN AS STATED IN THE "LIMITED WARRANTY" ABOVE IS MADE OR AUTHORIZED BY DAYTON.

**Technical Advice and Recommendations, Disclaimer.** Notwithstanding any past practice or dealings or trade custom, sales shall not include the furnishing of technical advice or assistance or system design. Dayton assumes no obligations or liability on account of any unauthorized recommendations, opinions or advice as to the choice, installation or use of products.

**Product Suitability.** Many jurisdictions have codes and regulations governing sales, construction, installation, and/or use of products for certain purposes, which may vary from those in neighboring areas. While attempts are made to assure that Dayton products comply with such codes, Dayton cannot guarantee compliance, and cannot be responsible for how the product is installed or used. Before purchase and use of a product, review the product applications, and all applicable national and local codes and regulations, and be sure that the product, installation, and use will comply with them.

Certain aspects of disclaimers are not applicable to consumer products; e.g., (a) some jurisdictions do not allow the exclusion or limitation of incidental or consequential damages, so the above limitation or exclusion may not apply to you; (b) also, some jurisdictions do not allow a limitation on how long an implied warranty lasts, consequently the above limitation may not apply to you; and (c) by law, during the period of this Limited Warranty, any implied warranties of implied merchantability or fitness for a particular purpose applicable to consumer products purchased by consumers, may not be excluded or otherwise disclaimed.

**Prompt Disposition.** A good faith effort will be made for prompt correction or other adjustment with respect to any product which proves to be defective within limited warranty. For any product believed to be defective within limited warranty, first write or call dealer from whom the product was purchased. Dealer will give additional directions. If unable to resolve satisfactorily, write to Dayton at address below, giving dealer's name, address, date, and number of dealer's invoice, and describing the nature of the defect. Title and risk of loss pass to buyer on delivery to common carrier. If product was damaged in transit to you, file claim with carrier.

**Manufactured for Dayton Electric Mfg. Co., 5959 W. Howard St., Niles, Illinois 60714-4014 U.S.A.**

Por favor lea y guarde estas instrucciones. Léelas cuidadosamente antes de tratar de montar, instalar, operar o dar mantenimiento al producto aquí descrito. Protéjase usted mismo y a los demás observando toda la información de seguridad. ¡El no cumplir con las instrucciones puede ocasionar daños, tanto personales como a la propiedad! Guarde estas instrucciones para referencia en el futuro.

# Montacargas y Elevadores de Plataformas Dayton®

## Descripción

Los Montacargas y Elevadores de Plataformas Dayton están diseñados para elevar, bajar y transportar manualmente cargas sobre superficies firmes y niveladas, incluyendo talleres, cuartos de almacenaje, depósitos de almacenamiento y locales de envío y recibo, a través de las instalaciones y donde los pasillos y áreas congestionadas dificulten el uso de equipo de mayor tamaño.

Es posible que en estas Instrucciones de operación se describan las especificaciones para múltiples tipos de elevadores. Durante la operación y el mantenimiento, aplique los aspectos pertinentes para el Montacargas o el Elevador de Plataforma Dayton que usted haya adquirido.

## Información de Seguridad General

Este producto sólo debe ser utilizado por operadores autorizados y capacitados.

**⚠ ATENCIÓN** Nunca exceda la capacidad máxima del elevador. La carga debe estar uniformemente distribuida y no deberán excederse los límites del centro de la carga.



Figura 1

## Especificaciones

Modelo	Elemento	Cap. de carga* (kg)	Altura de elevación máx.	Altura de elevación mín.	Longitud de la plataforma/horquillas	Ancho de la plataforma	Long. total	Ancho total	Altura total	Centro de la carga**	Ruedas
4VMD9	Montacargas	907.2	160.0 cm	8.4 cm	109.2 cm	N/A	160.0 cm	72.4 cm	203.2 cm	61 cm	2 rígidas, 2 giratorias
4VME1	Montacargas	1360.8	160.0	8.4	109.2	N/A	160.0	72.4	203.2	61	2 rígidas, 2 giratorias
4VME2	Montacargas	907.2	248.9	8.4	109.2	N/A	160.0	72.4	182.9	61	2 rígidas, 2 giratorias
4VME3	Montacargas	907.2	299.7	8.4	109.2	N/A	160.0	72.4	208.3	61	2 rígidas, 2 giratorias
4VME4	Elevador de Plataformas	907.2	160.0	15.2	76.2	81.3 cm	137.2	86.4	208.3	46	2 rígidas, 2 giratorias
4VME5	Elevador de Plataformas	1360.8	160.0	15.2	76.2	81.3	137.2	86.4	208.3	46	2 rígidas, 2 giratorias
4VME6	Elevador de Plataformas	907.2	248.9	15.2	76.2	81.3	137.2	86.4	188.0	46	2 rígidas, 2 giratorias
4VME7	Elevador de Plataformas	907.2	299.7	15.2	76.2	81.3	137.2	86.4	213.4	46	2 rígidas, 2 giratorias
4VME8	Montacargas	907.2	160.0	5.1	91.4	N/A	142.2	109-137	208.3	51	2 rígidas, 2 giratorias
4VME9	Montacargas	907.2	248.9	5.1	91.4	N/A	142.2	109-137	188.0	51	2 rígidas, 2 giratorias
4VMF1	Montacargas	907.2	299.7	5.1	91.4	N/A	142.2	109-137	213.4	51	2 rígidas, 2 giratorias

(\*) El valor de capacidad de carga máxima es para carga distribuida de manera uniforme.

(\*\*) Lea y entienda las restricciones del centro de la carga.

# Montacargas y Elevadores de Plataformas Dayton®

## Información de Seguridad General (Continuación)

**⚠ ATENCIÓN** *Sea precavido y tenga cuidado con los puntos de apriete y de aplastamiento. Nunca ponga las manos, los pies u objetos debajo de las horquillas o la plataforma. Por ningún motivo intente alcanzar partes en movimiento.*

**⚠ ATENCIÓN** *No utilice en declives o superficies irregulares.*

**⚠ ATENCIÓN** *Nunca deje desatendida la carga mientras esté en posición elevada.*

**⚠ ATENCIÓN** *No se permite transportar ni levantar personas.*

## Montaje

### INSTRUCCIONES DE MONTAJE PARA EL CONJUNTO DE PATA ELEVADORA Y HORQUILLA (MODELOS 4VME8, 4VME9 Y 4VMF1 SOLAMENTE)

Es posible que esta apiladora necesite ensamblarse. De ser así, observe cuidadosamente las instrucciones de montaje y acate todas las precauciones de seguridad. Se necesitan algunas herramientas, por ejemplo llaves, un martillo de goma u otro tipo de martillo que no deteriore la superficie, un alicate anular de presión, y un dispositivo de elevación tal como una grúa.

**⚠ ATENCIÓN** *No retire la apiladora de la paleta. La apiladora deberá permanecer asegurada a la paleta hasta que haya finalizado el montaje. El no observar estas instrucciones podría ocasionar lesiones graves. Se recomienda estabilizar la apiladora durante el montaje utilizando una grúa o elevador adecuado.*

### MONTAJE DE LA PATA ELEVADORA

Véase la Figura 2.

1. Desenrosque y extraiga los pernos y tuercas en las partes frontal y posterior de la apiladora.
2. Deslice la pata en la ranura del cuerpo en la posición deseada.

3. Inserte y apriete bien los pernos y tuercas en las partes frontal y posterior.
4. Monte la otra pata siguiendo los pasos anteriores.
5. Remueva la apiladora de la paleta con una grúa u otro dispositivo de elevación adecuado.

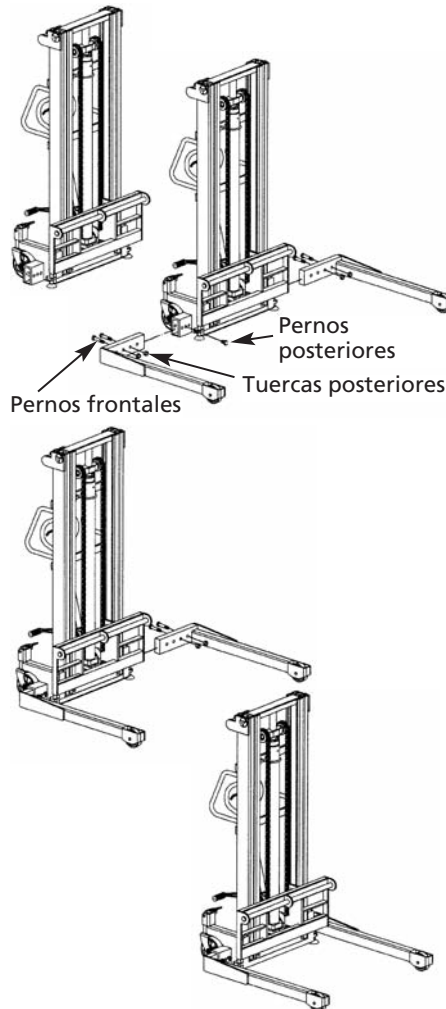


Figura 2 – Conjunto de la Pata Elevadora

### MONTAJE DE LA HORQUILLA

Véase la Figura 3.

1. Utilice un alicate anular de presión para extraer el anillo de retención y el eje de la deslizadora de las horquillas de la deslizadora.

2. Coloque las horquillas de manera que sus orificios queden alineados con el orificio en el eje de la deslizadora. Podría requerir la ayuda de otra persona para sostener las horquillas en posición.
3. Inserte el eje en el orificio en la deslizadora de las horquillas, pasando a través de los orificios en las horquillas. Ajuste la colocación de las horquillas según sea necesario.
4. Utilice un alicate anular de presión para insertar el anillo de retención y fijar el eje en posición.

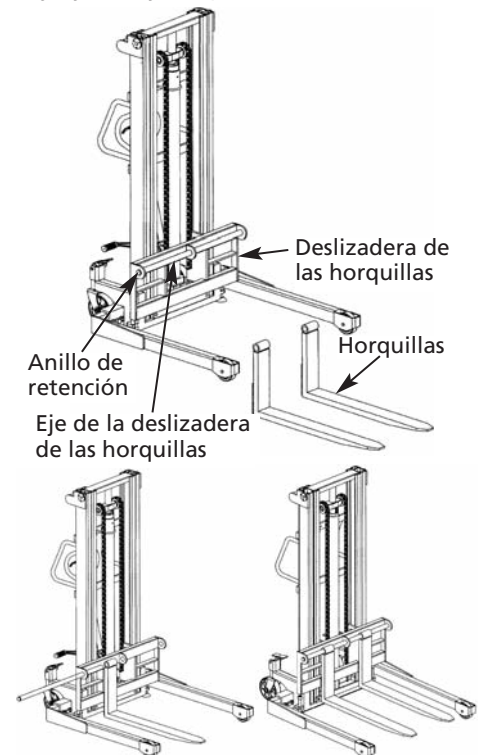


Figura 3 – Conjunto del Montacargas

### MONTAJE DEL PEDAL

Véase la Figura 4 en la página 3.

1. Desenrosque y extraiga los pernos y tuercas en la palanca del pedal.
2. Inserte el pedal en la palanca del pedal.
3. Enrosque y apriete los pernos y tuercas en la palanca del pedal.

# Modelos 4VMD9, 4VME1 a 4VME9 y 4VMF1

## Montaje (Continuación)

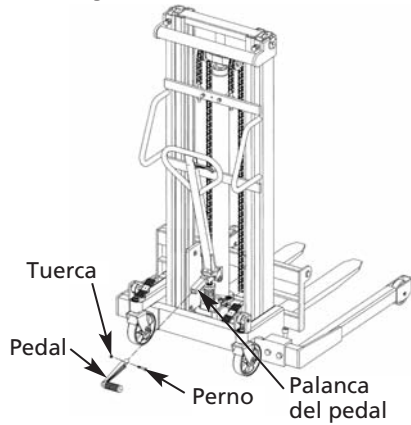


Figura 4 – Conjunto del Pedal

## Operación

Lea cuidadosamente todos los manuales incluidos con este producto **antes** de poner el carrito en servicio. Nunca exceda la capacidad máxima del elevador.

Lea y observe completamente las instrucciones para liberar aire de la bomba en la sección Mantenimiento de este manual **antes** de poner en servicio el elevador Dayton.

Inspeccione el elevador antes de cada uso. Descontinúe inmediatamente el uso si descubre cualesquiera problemas, defectos o necesidades de reparación.

Lista de revisión antes de la operación:

- Revise la función de todas las partes móviles, incluyendo patines, ruedas, ejes, etc.
- Si su elevador incluye un freno de estacionamiento, verifique su función.
- Revise el ajuste, la tensión y el desgaste de la cadena de carga.

## PARA ELEVADORES CON FRENO DE ESTACIONAMIENTO

Utilice el freno de estacionamiento cuando coloque y eleve cargas, y cuando no se esté empleando el elevador. Accione el freno oprimiendo el pedal del centro. Libere el freno moviendo la palanca del pedal del centro hacia la izquierda o la derecha.

## PARA LEVANTAR UNA CARGA

Asegúrese que la carga no exceda la capacidad del elevador, y que la carga no exceda el tamaño de las horquillas ni de la plataforma.

Mueva el elevador lentamente hacia la carga y coloque las horquillas debajo de la paleta/carga hasta que la parte posterior de las horquillas descansa contra la carga, o manualmente, coloque la carga en la plataforma o las horquillas.

**⚠ ADVERTENCIA** *No coloque cargas en el elevador mientras éste se encuentre en posición elevada. La carga debe quedar uniformemente distribuida a través de ambas horquillas o a través de la plataforma. No debe excederse el centro de gravedad de la carga.*

Eleve la carga bombeando el pedal de pie o el mango hasta alcanzar la altura deseada.

## PARA MOVER UNA CARGA

Al transportarla, la carga deberá siempre encontrarse en la posición más baja posible (a la vez que se mantiene un espacio libre debajo de la carga).

Desplácese a una velocidad uniforme, teniendo presente en todo momento la carga y las condiciones del suelo.

**⚠ ADVERTENCIA** *No haga funcionar el elevador sobre pendientes o superficies irregulares.*

## PARA BAJAR UNA CARGA

Transporte la carga a la ubicación deseada y accione el freno de estacionamiento. Asegúrese que no haya nada debajo de la carga, y luego tire del mango de control a la posición Bajar (LOWER) para bajar la carga a la altura deseada.

Baje completamente la mesa cuando no utilice el carrito.

## PARA LEVANTAR

Inserte las horquillas en la paleta. Mueva la palanca de control a la posición Levantar (RAISE). Con un movimiento ascendente y descendente del mango, bombee la carga hasta la altura deseada.

## NEUTRO

Después de elevar el elevador, mueva la palanca de control a la posición Neutro (NEUTRAL). Mueva el elevador al lugar deseado.

## PARA BAJAR

Mueva la palanca de control a la posición Bajar (LOWER) hasta que se haya alcanzado la altura deseada.

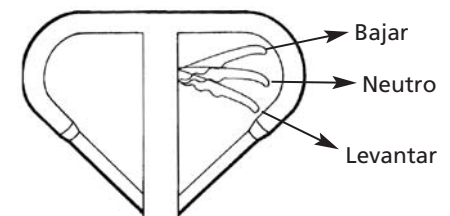


Figura 5

**AVISO:** La palanca debe moverse automáticamente a la posición Neutro (NEUTRAL) cuando se suelta. Si no sucede esto, ajuste según sea necesario.

## AJUSTE

Pruebe cada una de las funciones, bombeando el asidero con la palanca de control en cada una de las tres posiciones. Si las funciones no operan en la forma indicada, haga los ajustes necesarios tal como se indican a continuación. Con el tiempo, el uso normal y las vibraciones podrían causar que su elevador requiera más ajustes periódicos.

1. Si las horquillas no se elevan mientras se bombea en la posición Levantar (RAISE), gire la tuerca de ajuste (Ref. No. 4, Fig. 14) y/o el tornillo de fijación (Ref. No. 34, Fig. 15A) hacia la izquierda hasta que las horquillas se eleven mientras se bombea en la posición Levantar (RAISE).
2. Si las horquillas no descienden cuando la palanca de control está en la posición Bajar (LOWER), gire la tuerca de ajuste y/o el tornillo de fijación hacia la derecha hasta que la palanca de control baje correctamente las horquillas.

# Montacargas y Elevadores de Plataformas Dayton®

## Operación (Continuación)

3. Si las horquillas se elevan mientras se bombea en la posición Neutro (NEUTRAL), gire la tuerca de ajuste y/o el tornillo de fijación hacia la derecha hasta que la acción de bombeo no eleve las horquillas y la posición Neutro (NEUTRAL) funcione correctamente.

4. Si las horquillas descienden mientras la palanca está en la posición Neutro (NEUTRAL), gire la tuerca de ajuste y/o el tornillo de fijación hacia la izquierda hasta que las horquillas no desciendan.

Después de hacer un ajuste, cerciórese de verificar todas las funciones para asegurarse que no hayan sido afectadas **antes de operar la unidad.**

## Mantenimiento

**⚠ ADVERTENCIA** *Retire las cargas antes de realizar inspecciones o trabajos de mantenimiento. Utilice únicamente partes de repuesto originales.*

### COMO AÑADIR ACEITE

Si las horquillas/plataforma no se elevan hasta su altura nominal, es posible que necesite añadir fluido hidráulico. El fluido hidráulico debe ser ISO VG32 o equivalente con una viscosidad de 32cSt a 40°C (104°F). ¡Se prohíbe mezclar fluidos diferentes! El volumen total de aceite es aproximadamente 2 cuartos de galón. Revise el nivel del aceite cada seis meses.

**AVISO:** El aceite de desecho debe desecharse de un modo ecoamistoso y de acuerdo con las autoridades reguladoras.

## LUBRICACION

Lubrique periódicamente todas las graseras de acuerdo con el programa de mantenimiento necesario, o luego de una limpieza íntegra que pudiera remover grasa en exceso de puntos de lubricación críticos, usando grasa lubricante universal ZG2# o 3#.

### COMO SE LIBERA EL AIRE DE LA BOMBA

El aire puede ingresar en el aceite hidráulico durante el transporte o si se inclina o se vuelca la unidad, y esto puede hacer que las horquillas no se eleven inmediatamente mientras se bombea en la posición "levantar" (raise). Para liberar el aire de la bomba, mueva el mango de control a la posición Bajar (LOWER), y luego mueva la barra de tiro varias veces hacia arriba y hacia abajo.

## INSPECCION DIARIA Y MANTENIMIENTO

La inspección diaria del elevador puede reducir en gran medida el desgaste y el mantenimiento. Debe prestarse atención especial a las ruedas, ruedecillas y patines de la deslizadera, y revisar si existe algún tipo de obstrucción.

### INTERVALOS DE MANTENIMIENTO RECOMENDADOS

La vida útil del elevador es limitada. Las partes desgastadas deberán reemplazarse cuanto antes.

#### DIARIAMENTE:

- Revise las partes móviles y los controles de operación para verificar que funcionen correctamente
- Revise las ruedas y patines de la deslizadera para ver si están desgastados o tienen juego

- Revise el ajuste, la tensión y el desgaste de la cadena de carga
- Aplique grasa a la rueda de ser necesario

#### 1 MES:

- Aplique grasa a las uniones y los rodamientos
- Revise la función y la capacidad de giro de las ruedas y patines
- Revise el sistema hidráulico para ver si hay fugas y comprobar el rango total de movimiento

#### 3 MESES:

- Revise el nivel del aceite hidráulico con la plataforma/horquillas completamente abajo y el elevador en posición horizontal
- Revise el ajuste de la válvula de liberación
- Verifique que todas las conexiones de perno y tornillo estén bien apretadas

#### 1 AÑO:

- Revise todas las partes para ver si están desgastadas y reemplace las partes defectuosas según sea necesario
- Drene y reemplace el fluido hidráulico
- Verifique la legibilidad de las etiquetas y advertencias de seguridad; reemplácelas si es necesario.

**⚠ ADVERTENCIA** *No intente reparar los elevadores a menos que usted esté capacitado y autorizado para hacerlo. Podría sufrir lesiones graves.*

**⚠ ADVERTENCIA** *Estos productos no deben alterarse de ninguna manera sin el permiso escrito de parte del fabricante.*



# Modelos 4VMD9, 4VME1 a 4VME9 y 4VMF1

## Tabla de Identificación de Problemas

Síntoma	Causa(s) Posible(s)	Medida Correctiva
Las horquillas/plataforma no se elevan, no se elevan completamente o se elevan lentamente	<ol style="list-style-type: none"> <li>1. Bajo nivel de fluido hidráulico</li> <li>2. Hay aire en el sistema hidráulico</li> <li>3. El mango de control está en la posición incorrecta</li> <li>4. La carga es demasiado pesada. Se está activando la válvula de liberación de sobrecarga</li> <li>5. La temperatura es demasiado baja y el aceite hidráulico se ha vuelto demasiado viscoso</li> </ol>	<ol style="list-style-type: none"> <li>1. Agregue un fluido hidráulico aprobado como se indica en la página 4 (en la sección Mantenimiento)</li> <li>2. Siga el procedimiento para "Liberar el aire de la bomba, en la página 4 (en la sección Mantenimiento)</li> <li>3. Coloque el mango de control en la posición correcta (en la sección Operación, página 3)</li> <li>4. Reduzca la carga</li> <li>5. Mueva el carrito a un lugar más caliente</li> </ol>
Las horquillas/plataforma no bajan o no bajan completamente	<ol style="list-style-type: none"> <li>1. Hay un obstáculo situado debajo de las horquillas/plataforma, en el mecanismo de la horquilla, etc.</li> <li>2. La biela del pistón (Ref. No. 62) o el cuerpo de la bomba (Ref. No. 59) se ha deformado debido a una carga excesiva o a una distribución no uniforme de la carga (véase la Figura 15A)</li> <li>3. Las horquillas/plataforma se dejaron en posición elevada durante un período prolongado, provocando que se oxidara o trabara la biela del pistón</li> <li>4. La tuerca de ajuste (Ref. No. 4, Fig. 14) y el tornillo de fijación (Ref. No. 34, Fig. 15A) están en la posición incorrecta</li> </ol>	<ol style="list-style-type: none"> <li>1. Tenga cuidado cuando retire el obstáculo</li> <li>2. Reemplace la biela del pistón (Ref. No. 62) o el cuerpo de la bomba (Ref. No. 59) (Véase la Figura 15A)</li> <li>3. Lubrique el pistón. Reemplace según sea necesario. Mantenga las horquillas/plataforma en posición baja cuando no se estén utilizando</li> <li>4. Ajústelos (véase "Ajuste", en la página 3)</li> </ol>
Las horquillas/plataforma bajan sin que la palanca de control se encuentre en la posición "bajar" (lower)	<ol style="list-style-type: none"> <li>1. Impurezas en el aceite impiden cerrar completamente la válvula de liberación</li> <li>2. Algunos componentes hidráulicos o sellos están rotos o desgastados</li> <li>3. Hay aire en el sistema hidráulico</li> <li>4. La tuerca de ajuste (Ref. No. 4, Fig. 14) y el tornillo de fijación (Ref. No. 34, Fig. 15A) están en la posición incorrecta</li> </ol>	<ol style="list-style-type: none"> <li>1. Drene y reemplace el fluido hidráulico con un fluido aprobado, según como se indica en la página 4 (en la sección Mantenimiento)</li> <li>2. Inspeccione y reemplace los componentes según sea necesario</li> <li>3. Siga el procedimiento para "Liberar el aire de la bomba, en la página 4 (en la sección Mantenimiento)</li> <li>4. Ajústelos (véase "Ajuste", en la página 3)</li> </ol>

**Para Obtener Partes de Reparación en México Llame al 001-800-527-2331  
en EE.UU. Llame al 1-800-323-0620**

**Servicio permanente – 24 horas al día al año**

Por favor proporciónenos la siguiente información:

- Número de modelo
- Número de serie (si lo tiene)
- Descripción de la parte y número que le corresponde en la lista de partes

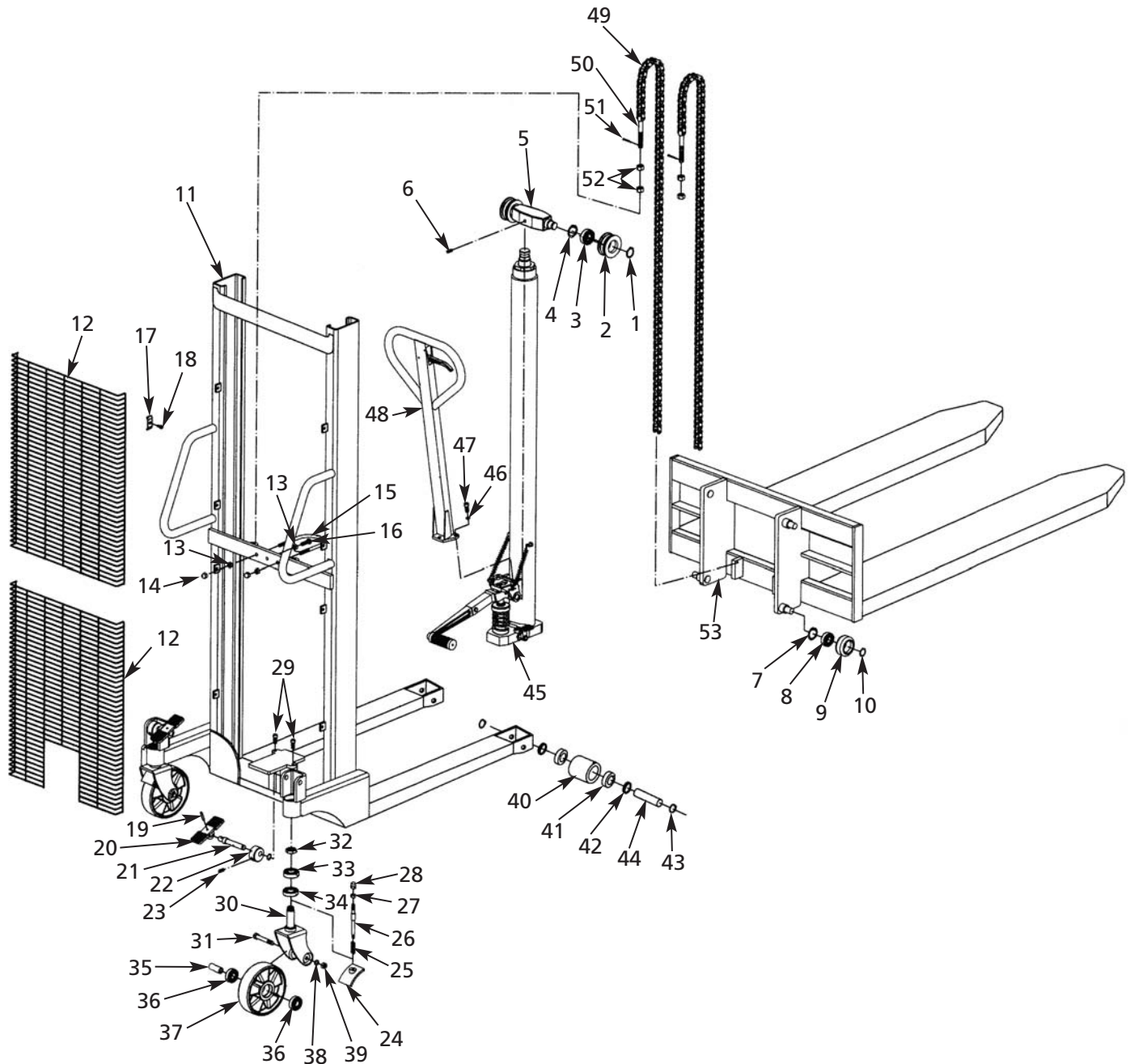


Figura 6 – Ilustración de las Partes de Reparación para el Montacargas

# Modelo 4VMD9

## Lista de Partes de Reparación para el Montacargas

No. de Ref.	Descripción	No. de Parte	Cant.	No. de Ref.	Descripción	No. de Parte	Cant.
1	Anillo de fijación	**	2	29	Perno	**	2
	<b>Juego del patín de cadena</b>	<b>MH4VME901G</b>			<b>Juego de ruedecillas</b>	<b>MH4VME908G</b>	
2	Patín de cadena	▲	1	30	Bastidor de rueda con freno	▲	1
3	Cojinete	▲	1	31	Tornillo	▲	1
4	Anillo de fijación	▲	1	32	Tuerca	▲	1
5	Bloque del patín	*	1	33	Cojinete	▲	1
6	Tornillo	**	1	34	Cojinete	▲	1
	<b>Juego del patín del mástil</b>	<b>MH4VME801G</b>		35	Eje de las ruedas	▲	1
7	Anillo de fijación	▲	1	36	Cojinete	▲	2
8	Cojinete	▲	1	37	Rueda	▲	1
9	Patín	▲	1	38	Arandela de seguridad	▲	1
10	Anillo de fijación	**	8	39	Tuerca	▲	1
11	Mástil	*	1		<b>Juego de patín de carga</b>	<b>MH4VMD903G</b>	
12	Rejilla de protección (Superior)	MH4VMD901G	1	40	Patín de carga	▲	1
	Rejilla de protección (Inferior)	MH4VMD902G	1	41	Cojinete	▲	2
13	Tuerca	**	3	42	Arandela	▲	2
14	Tuerca	**	2	43	Anillo de fijación	▲	2
15	Perno en U	**	1	44	Eje de patín	▲	1
16	Perno	**	1	45	Bomba	Véase la pág. 24	1
17	Arandela de presión	**	8	46	Arandela de seguridad	**	3
18	Tornillo	**	8	47	Perno	**	3
	<b>Juego del freno</b>	<b>MH4VME907G</b>		48	Mango	Véase la pág. 22	1
19	Pasador del patín	▲	1	49	Cadena	MH4VMD904G	2
20	Placa de pie	▲	1		<b>Juego de perno de cadena</b>	<b>MH4VME912G</b>	
21	Eje	▲	1	50	Perno de cadena	▲	1
22	Leva	▲	1	51	Pasador hendido	▲	1
23	Tornillo	▲	1	52	Tuerca	▲	2
24	Placa de freno	▲	1	53	Deslizadera	*	1
25	Resorte	▲	1	Δ	<b>Juego de etiquetas de repuesto</b>	<b>MH4VMD905G</b>	
26	Perno	▲	1				
27	Tuerca	▲	1				
28	Tuerca	▲	1				

(▲) Disponible sólo como parte del juego.

(\*) No se encuentra disponible como parte de reparación.

(\*\*) Herrajes comunes que no se ofrecen como parte de repuesto.

(Δ) No se muestra.

**Para Obtener Partes de Reparación en México Llame al 001-800-527-2331  
en EE.UU. Llame al 1-800-323-0620**

**Servicio permanente – 24 horas al día al año**

Por favor proporciónenos la siguiente información:

- Número de modelo
- Número de serie (si lo tiene)
- Descripción de la parte y número que le corresponde en la lista de partes

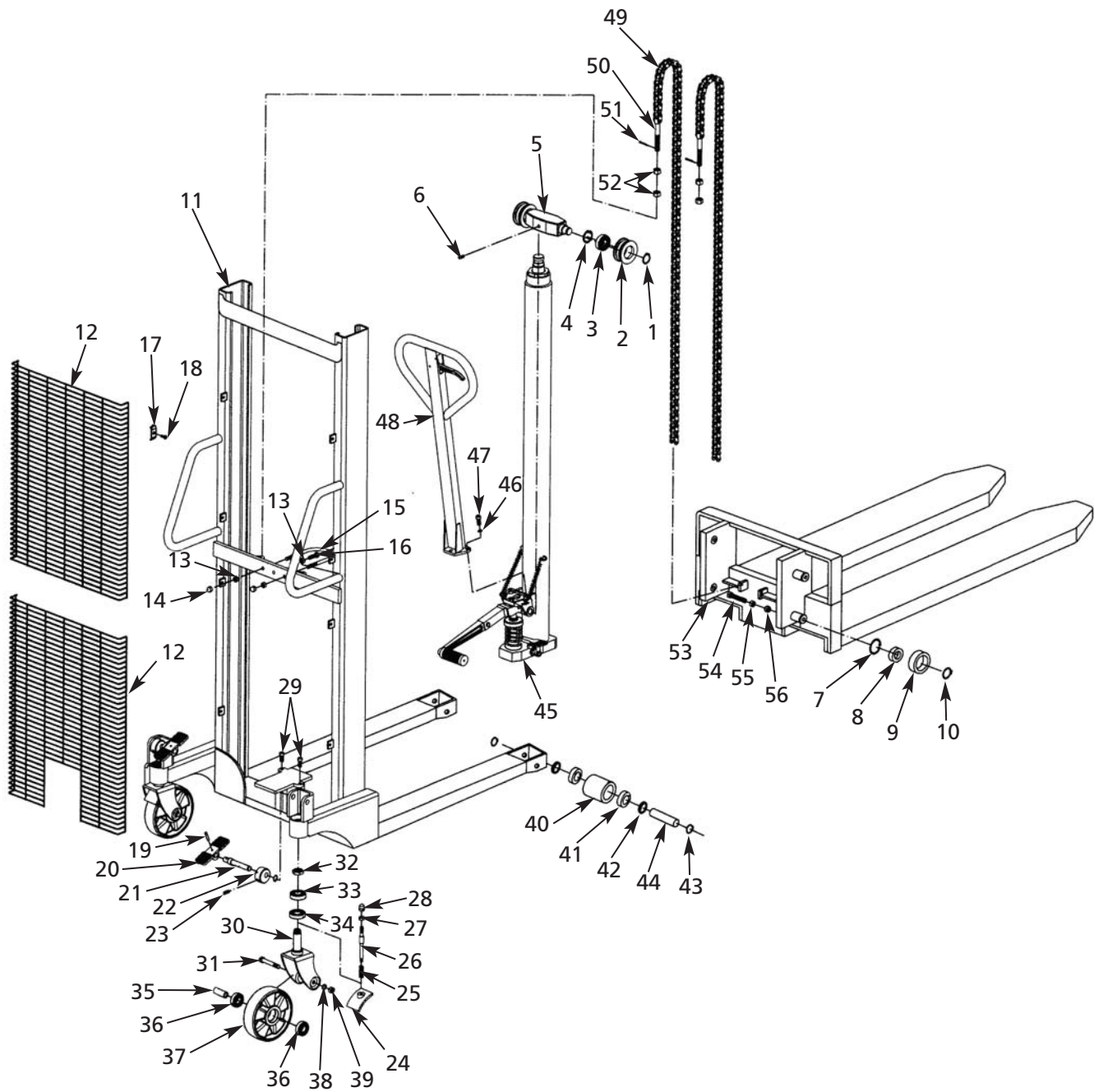


Figura 7 – Ilustración de las Partes de Reparación para el Montacargas

# Modelo 4VME1

## Lista de Partes de Reparación para el Montacargas

No. de Ref.	Descripción	No. de Parte	Cant.	No. de Ref.	Descripción	No. de Parte	Cant.
1	Anillo de fijación	**	2	29	Perno	**	2
	<b>Juego del patín de cadena</b>	<b>MH4VME901G</b>			<b>Juego de ruedecillas</b>	<b>MH4VME908G</b>	
2	Patín de cadena	▲	1	30	Bastidor de rueda con freno	▲	1
3	Cojinete	▲	1	31	Tornillo	▲	1
4	Anillo de fijación	▲	1	32	Tuerca	▲	1
5	Bloque del patín	*	1	33	Cojinete	▲	1
6	Tornillo	**	1	34	Cojinete	▲	1
	<b>Juego del patín del mástil</b>	<b>MH4VME101G</b>		35	Eje de las ruedas	▲	1
7	Anillo de fijación	▲	1	36	Cojinete	▲	2
8	Cojinete	▲	1	37	Rueda	▲	1
9	Patín	▲	1	38	Arandela de seguridad	▲	1
10	Anillo de fijación	**	8	39	Tuerca	▲	1
11	Mástil	*	1		<b>Juego de patín de carga</b>	<b>MH4VMD903G</b>	
12	Rejilla de protección (Superior)	MH4VMD901G	1	40	Patín de carga	▲	1
	Rejilla de protección (Inferior)	MH4VMD902G	1	41	Cojinete	▲	2
13	Tuerca	**	3	42	Arandela	▲	2
14	Tuerca	**	2	43	Anillo de fijación	▲	2
15	Perno en U	**	1	44	Eje de patín	▲	1
16	Perno	**	1	45	Bomba	Véase la pág. 24	1
17	Arandela de presión	**	8	46	Arandela de seguridad	**	3
18	Tornillo	**	8	47	Perno	**	3
	<b>Juego del freno</b>	<b>MH4VME907G</b>		48	Mango	Véase la pág. 22	1
19	Pasador del patín	▲	1	49	Cadena	MH4VMD904G	2
20	Placa de pie	▲	1		<b>Juego de perno de cadena</b>	<b>MH4VME912G</b>	
21	Eje	▲	1	50	Perno de cadena	▲	1
22	Leva	▲	1	51	Pasador hendido	▲	1
23	Tornillo	▲	1	52	Tuerca	▲	2
24	Placa de freno	▲	1	53	Deslizadera	*	1
25	Resorte	▲	1	54	Perno	**	4
26	Perno	▲	1	55	Tuerca	**	4
27	Tuerca	▲	1	56	Bola de acero	**	4
28	Tuerca	▲	1	Δ	<b>Juego de etiquetas de repuesto</b>	<b>MH4VME102G</b>	

(▲) Disponible sólo como parte del juego.

(\*) No se encuentra disponible como parte de reparación.

(\*\*) Herrajes comunes que no se ofrecen como parte de repuesto.

(Δ) No se muestra.

**Para Obtener Partes de Reparación en México Llame al 001-800-527-2331  
en EE.UU. Llame al 1-800-323-0620**

**Servicio permanente – 24 horas al día al año**

Por favor proporciónenos la siguiente información:

- Número de modelo
- Número de serie (si lo tiene)
- Descripción de la parte y número que le corresponde en la lista de partes

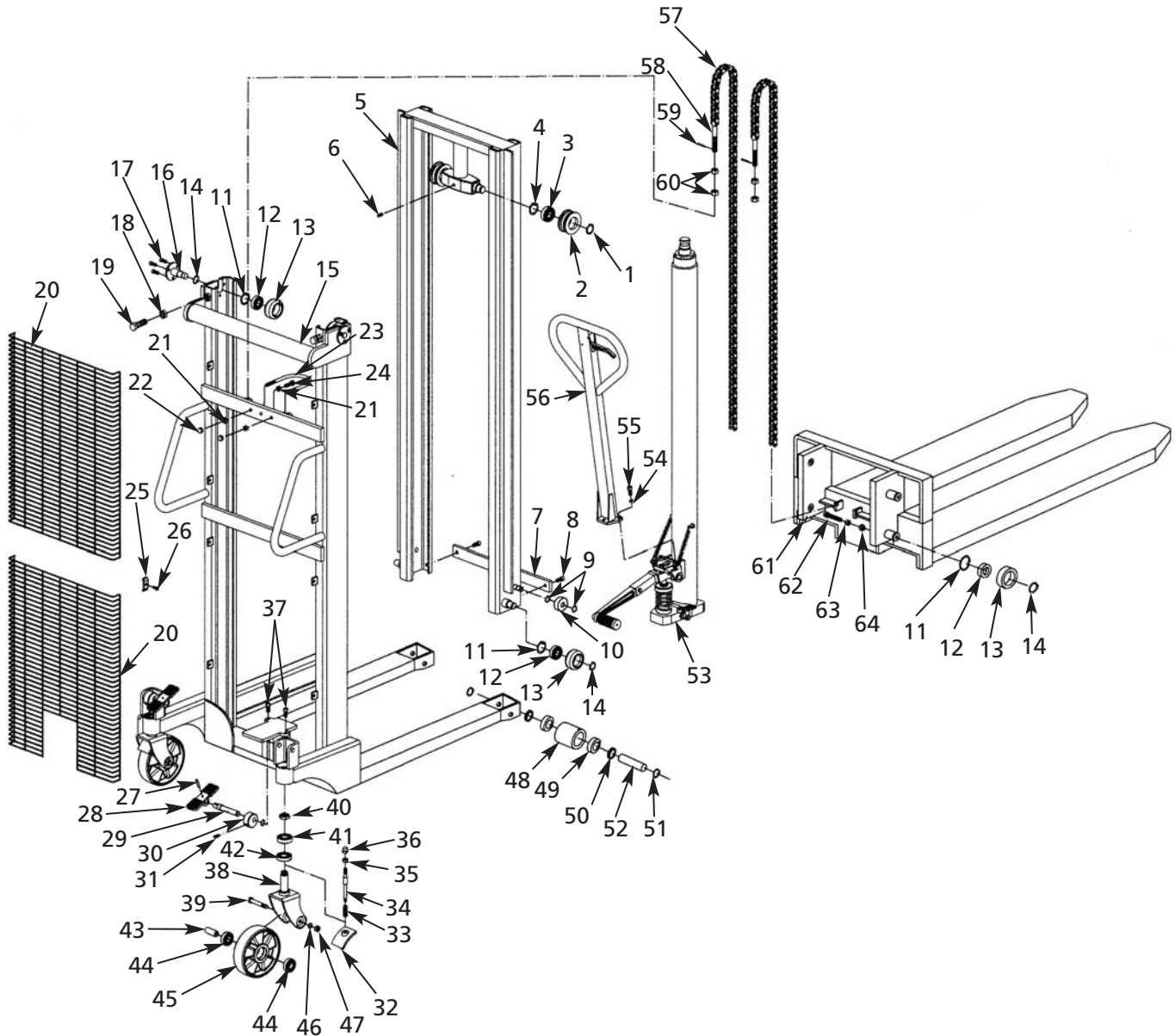


Figura 8 – Ilustración de las Partes de Reparación para el Montacargas

# Modelos 4VME2 y 4VME3

## Lista de Partes de Reparación para el Montacargas

No. de Ref.	Descripción	No. de Parte	Cant.	No. de Ref.	Descripción	No. de Parte	Cant.
1	Anillo de fijación	**	2	31	Tornillo	▲	1
	<b>Juego del patín de cadena</b>	<b>MH4VME901G</b>		32	Placa de freno	▲	1
2	Patín de cadena	▲	1	33	Resorte	▲	1
3	Cojinete	▲	1	34	Perno	▲	1
4	Anillo de fijación	▲	1	35	Tuerca	▲	1
5	Mástil interno	*	1	36	Tuerca	▲	1
6	Tornillo	**	1	37	Perno	**	2
7	Placa de conexión	*	1		<b>Juego de ruedecillas</b>	<b>MH4VME908G</b>	
8	Tornillo	**	2	38	Bastidor de rueda con freno	▲	1
9	Anillo de fijación	**	4	39	Tornillo	▲	1
10	Patín	MH4VME902G	2	40	Tuerca	▲	1
	<b>Juego del patín del mástil</b>	<b>MH4VME903G</b>		41	Cojinete	▲	1
11	Anillo de fijación	▲	1	42	Cojinete	▲	1
12	Cojinete	▲	1	43	Eje de las ruedas	▲	1
13	Patín	▲	1	44	Cojinete	▲	2
14	Anillo de fijación	**	8	45	Rueda	▲	1
15	Mástil exterior	*	1	46	Arandela de seguridad	▲	1
16	Eje con reborde	MH4VME904G	2	47	Tuerca	▲	1
17	Perno	**	6		<b>Juego de patín de carga</b>	<b>MH4VMD903G</b>	
18	Tuerca	**	2	48	Patín de carga	▲	1
19	Perno	**	2	49	Cojinete	▲	2
20	Rejilla de protección (Superior) (4VME2)	MH4VME905G	1	50	Arandela	▲	2
	Rejilla de protección (Superior) (4VME3)	MH4VMD901G	1	51	Anillo de fijación	▲	2
	Rejilla de protección (Inferior) (4VME2)	MH4VME906G	1	52	Eje de patín	▲	1
	Rejilla de protección (Inferior) (4VME3)	MH4VMD902G	1	53	Bomba	Véase la pág. 24	1
21	Tuerca	**	3	54	Arandela de seguridad	**	3
22	Tuerca	**	2	55	Perno	**	3
23	Perno en U	**	1	56	Mango	Véase la pág. 22	1
24	Perno	**	1	57	Cadena (4VME2)	MH4VME201G	2
25	Arandela de presión	**	8		Cadena (4VME3)	MH4VME301G	2
26	Tornillo	**	8		<b>Juego de perno de cadena</b>	<b>MH4VME912G</b>	
	<b>Juego del freno</b>	<b>MH4VME907G</b>		58	Perno de cadena	▲	1
27	Pasador del patín	▲	1	59	Pasador hendido	▲	1
28	Placa de pie	▲	1	60	Tuerca	▲	2
29	Eje	▲	1	61	Deslizadera	*	1
30	Leva	▲	1	62	Perno	**	4
				63	Tuerca	**	4
				64	Bola de acero	**	4
				Δ	<b>Juego de etiquetas de repuesto</b>	<b>MH4VMD905G</b>	

(▲) Disponible sólo como parte del juego.

(\*) No se encuentra disponible como parte de reparación.

(\*\*) Herrajes comunes que no se ofrecen como parte de repuesto.

(Δ) No se muestra.

**Para Obtener Partes de Reparación en México Llame al 001-800-527-2331  
en EE.UU. Llame al 1-800-323-0620**

**Servicio permanente – 24 horas al día al año**

Por favor proporcionémos la siguiente información:

- Número de modelo
- Número de serie (si lo tiene)
- Descripción de la parte y número que le corresponde en la lista de partes

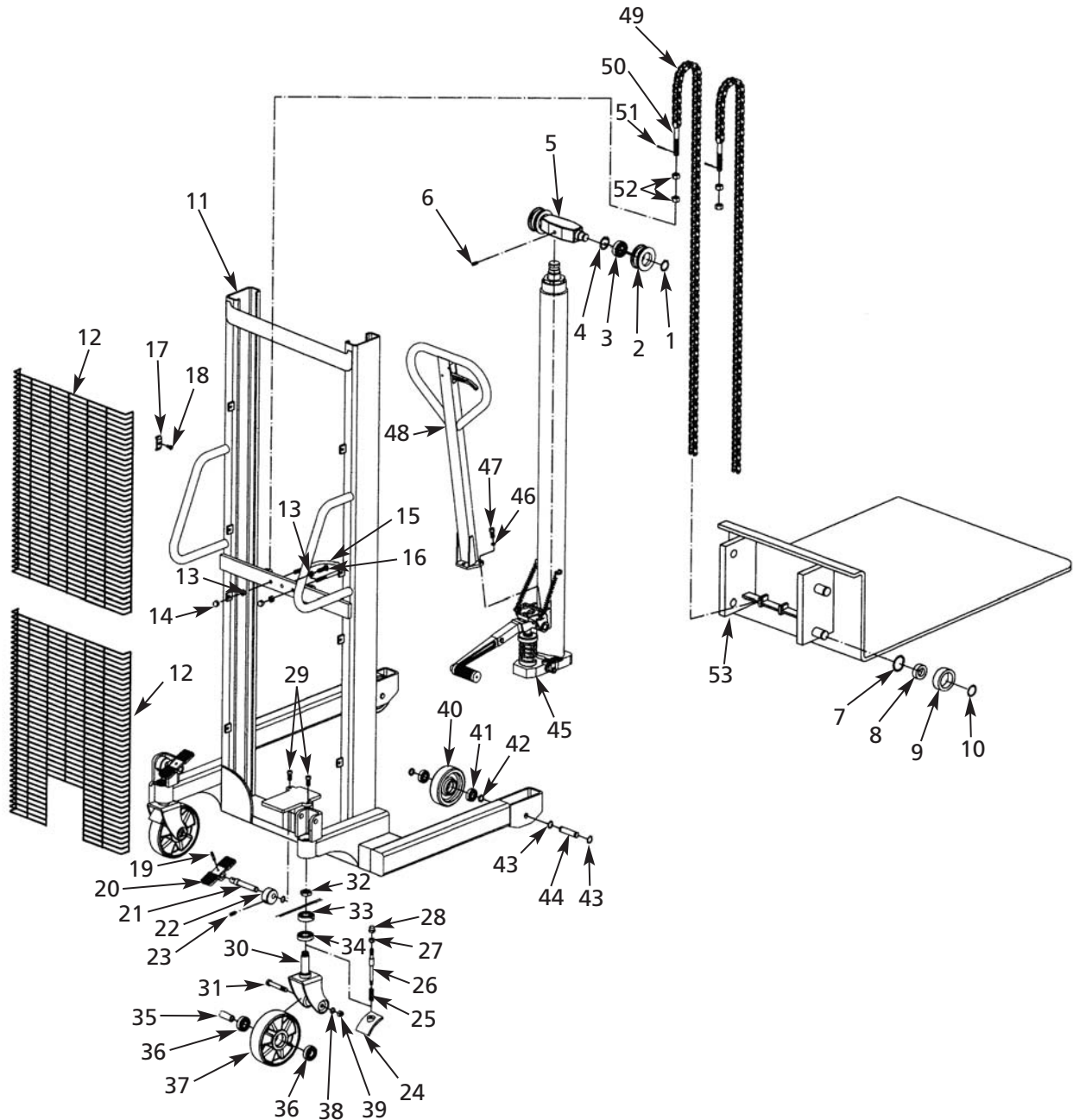


Figura 9 – Ilustración de las Partes de Reparación para el Elevador de Plataforma



# Modelo 4VME4

## Lista de Partes de Reparación para el Elevador de Plataforma

No. de Ref.	Descripción	No. de Parte	Cant.	No. de Ref.	Descripción	No. de Parte	Cant.
1	Anillo de fijación	**	2	29	Perno	**	2
	<b>Juego del patín de cadena</b>	<b>MH4VME901G</b>			<b>Juego de ruedecillas</b>	<b>MH4VME908G</b>	
2	Patín de cadena	▲	1	30	Bastidor de rueda con freno	▲	1
3	Cojinete	▲	1	31	Tornillo	▲	1
4	Anillo de fijación	▲	1	32	Tuerca	▲	1
5	Bloque del patín	*	1	33	Cojinete	▲	1
6	Tornillo	**	1	34	Cojinete	▲	1
	<b>Juego del patín del mástil</b>	<b>MH4VME801G</b>		35	Eje de las ruedas	▲	1
7	Anillo de fijación	▲	1	36	Cojinete	▲	2
8	Cojinete	▲	1	37	Rueda	▲	1
9	Patín	▲	1	38	Arandela de seguridad	▲	1
10	Anillo de fijación	**	8	39	Tuerca	▲	1
11	Mástil	*	1		<b>Juego de patín de carga</b>	<b>MH4VME910G</b>	
12	Rejilla de protección (Superior)	MH4VMD901G	1	40	Patín de carga	▲	1
	Rejilla de protección (Inferior)	MH4VMD902G	1	41	Cojinete	▲	2
13	Tuerca	**	3	42	Arandela	▲	2
14	Tuerca	**	2	43	Anillo de fijación	▲	2
15	Perno en U	**	1	44	Eje de patín	▲	1
16	Perno	**	1	45	Bomba	Véase la pág. 24	1
17	Arandela de presión	**	8	46	Arandela de seguridad	**	3
18	Tornillo	**	8	47	Perno	**	3
	<b>Juego del freno</b>	<b>MH4VME907G</b>		48	Mango	Véase la pág. 22	1
19	Pasador del patín	▲	1	49	Cadena	MH4VMD904G	2
20	Placa de pie	▲	1		<b>Juego de perno de cadena</b>	<b>MH4VME912G</b>	
21	Eje	▲	1	50	Perno de cadena	▲	1
22	Leva	▲	1	51	Pasador hendido	▲	1
23	Tornillo	▲	1	52	Tuerca	▲	2
24	Placa de freno	▲	1	53	Deslizadera	MH4VME401G	1
25	Resorte	▲	1	Δ	<b>Juego de etiquetas de repuesto</b>	<b>MH4VME402G</b>	
26	Perno	▲	1				
27	Tuerca	▲	1				
28	Tuerca	▲	1				

(▲) Disponible sólo como parte del juego.

(\*) No se encuentra disponible como parte de reparación.

(\*\*) Herrajes comunes que no se ofrecen como parte de repuesto.

(Δ) No se muestra.

**Para Obtener Partes de Reparación en México Llame al 001-800-527-2331  
en EE.UU. Llame al 1-800-323-0620**

**Servicio permanente – 24 horas al día al año**

Por favor proporciónenos la siguiente información:

- Número de modelo
- Número de serie (si lo tiene)
- Descripción de la parte y número que le corresponde en la lista de partes

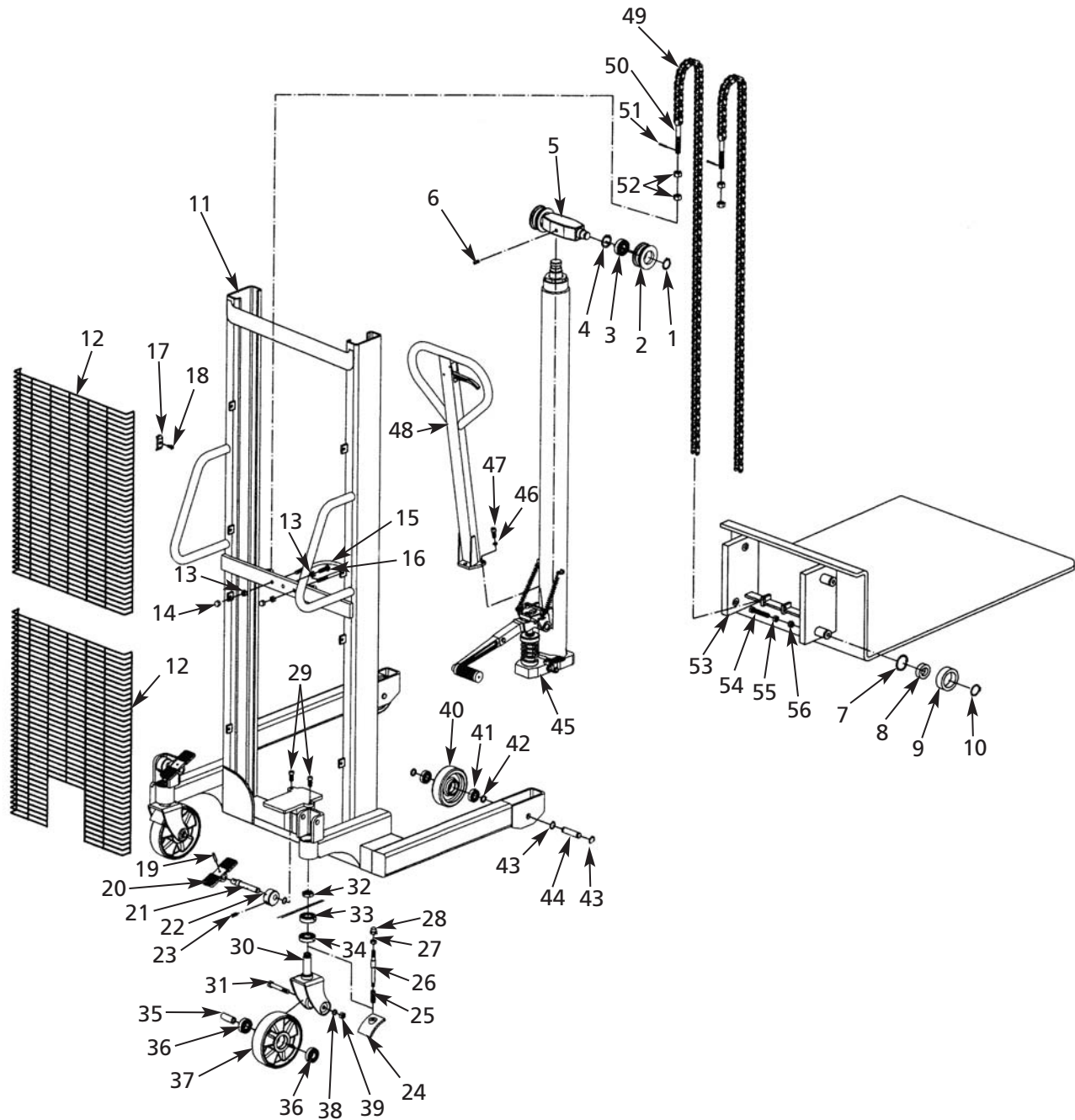


Figura 10 – Ilustración de las Partes de Reparación para el Elevador de Plataforma

# Modelo 4VME5

## Lista de Partes de Reparación para el Elevador de Plataforma

No. de Ref.	Descripción	No. de Parte	Cant.	No. de Ref.	Descripción	No. de Parte	Cant.
1	Anillo de fijación	**	2	29	Perno	**	2
	<b>Juego del patín de cadena</b>	<b>MH4VME901G</b>			<b>Juego de ruedecillas</b>	<b>MH4VME908G</b>	
2	Patín de cadena	▲	1	30	Bastidor de rueda con freno	▲	1
3	Cojinete	▲	1	31	Tornillo	▲	1
4	Anillo de fijación	▲	1	32	Tuerca	▲	1
5	Bloque del patín	*	1	33	Cojinete	▲	1
6	Tornillo	**	1	34	Cojinete	▲	1
	<b>Juego del patín del mástil</b>	<b>MH4VME101G</b>		35	Eje de las ruedas	▲	1
7	Anillo de fijación	▲	1	36	Cojinete	▲	2
8	Cojinete	▲	1	37	Rueda	▲	1
9	Patín	▲	1	38	Arandela de seguridad	▲	1
10	Anillo de fijación	**	8	39	Tuerca	▲	1
11	Mástil	*	1		<b>Juego de patín de carga</b>	<b>MH4VME910G</b>	
12	Rejilla de protección (Superior)	MH4VMD901G	1	40	Patín de carga	▲	1
	Rejilla de protección (Inferior)	MH4VMD902G	1	41	Cojinete	▲	2
13	Tuerca	**	3	42	Arandela	▲	2
14	Tuerca	**	2	43	Anillo de fijación	▲	2
15	Perno en U	**	1	44	Eje de patín	▲	1
16	Perno	**	1	45	Bomba	Véase la pág. 24	1
17	Arandela de presión	**	8	46	Arandela de seguridad	**	3
18	Tornillo	**	8	47	Perno	**	3
	<b>Juego del freno</b>	<b>MH4VME907G</b>		48	Mango	Véase la pág. 22	1
19	Pasador del patín	▲	1	49	Cadena	MH4VMD904G	2
20	Placa de pie	▲	1		<b>Juego de perno de cadena</b>	<b>MH4VME912G</b>	
21	Eje	▲	1	50	Perno de cadena	▲	1
22	Leva	▲	1	51	Pasador hendido	▲	1
23	Tornillo	▲	1	52	Tuerca	▲	2
24	Placa de freno	▲	1	53	Deslizadera	MH4VME501G	1
25	Resorte	▲	1	54	Perno	**	4
26	Perno	▲	1	55	Tuerca	**	4
27	Tuerca	▲	1	56	Bola de acero	**	4
28	Tuerca	▲	1	Δ	<b>Juego de etiquetas de repuesto</b>	<b>MH4VME502G</b>	

(▲) Disponible sólo como parte del juego.

(\*) No se encuentra disponible como parte de reparación.

(\*\*) Herrajes comunes que no se ofrecen como parte de repuesto.

(Δ) No se muestra.

**Para Obtener Partes de Reparación en México Llame al 001-800-527-2331  
en EE.UU. Llame al 1-800-323-0620**

**Servicio permanente – 24 horas al día al año**

Por favor proporciónenos la siguiente información:

- Número de modelo
- Número de serie (si lo tiene)
- Descripción de la parte y número que le corresponde en la lista de partes

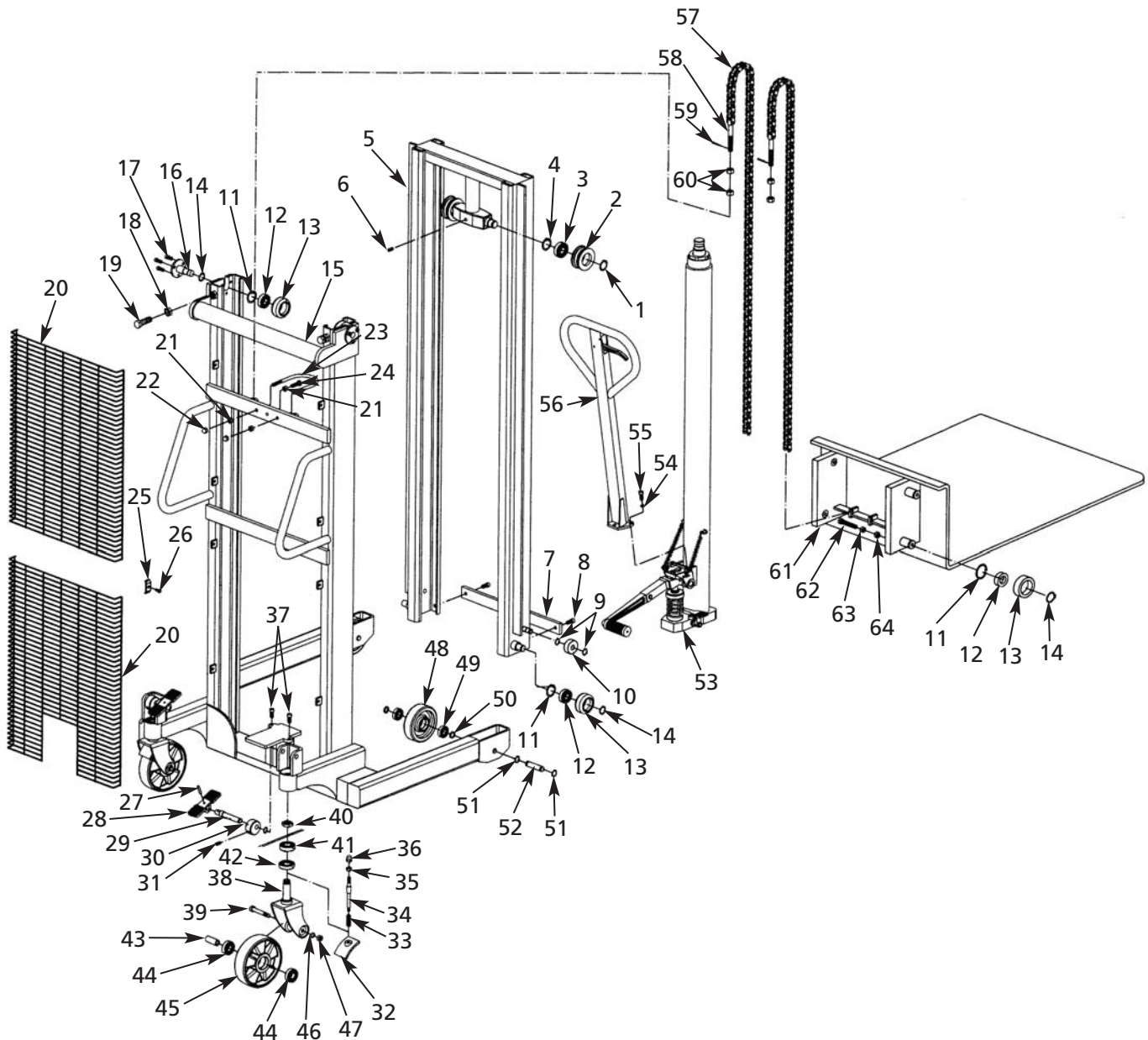


Figura 11 – Ilustración de las Partes de Reparación para el Elevador de Plataforma

# Modelos 4VME6 y 4VME7

## Lista de Partes de Reparación para el Elevador de Plataforma

No. de Ref.	Descripción	No. de Parte	Cant.	No. de Ref.	Descripción	No. de Parte	Cant.
1	Anillo de fijación	**	2	31	Tornillo	▲	1
	<b>Juego del patín de cadena</b>	<b>MH4VME901G</b>		32	Placa de freno	▲	1
2	Patín de cadena	▲	1	33	Resorte	▲	1
3	Cojinete	▲	1	34	Perno	▲	1
4	Anillo de fijación	▲	1	35	Tuerca	▲	1
5	Mástil interno	*	1	36	Tuerca	▲	1
6	Tornillo	**	1	37	Perno	**	2
7	Placa de conexión	*	1		<b>Juego de ruedecillas</b>	<b>MH4VME908G</b>	
8	Tornillo	**	2	38	Bastidor de rueda con freno	▲	1
9	Anillo de fijación	**	4	39	Tornillo	▲	1
10	Patín	MH4VME902G	2	40	Tuerca	▲	1
	<b>Juego del patín del mástil</b>	<b>MH4VME903G</b>		41	Cojinete	▲	1
11	Anillo de fijación	▲	1	42	Cojinete	▲	1
12	Cojinete	▲	1	43	Eje de las ruedas	▲	1
13	Patín	▲	1	44	Cojinete	▲	2
14	Anillo de fijación	**	8	45	Rueda	▲	1
15	Mástil exterior	*	1	46	Arandela de seguridad	▲	1
16	Eje con reborde	MH4VME904G	2	47	Tuerca	▲	1
17	Perno	**	6		<b>Juego de patín de carga</b>	<b>MH4VME910G</b>	
18	Tuerca	**	2	48	Patín de carga	▲	1
19	Perno	**	2	49	Cojinete	▲	2
20	Rejilla de protección (Superior) (4VME6)	MH4VME905G	1	50	Arandela	▲	2
	Rejilla de protección (Superior) (4VME7)	MH4VMD901G	1	51	Anillo de fijación	▲	2
	Rejilla de protección (Inferior) (4VME6)	MH4VME906G	1	52	Eje de patín	▲	1
	Rejilla de protección (Inferior) (4VME7)	MH4VMD902G	1	53	Bomba	Véase la pág. 24	1
21	Tuerca	**	3	54	Arandela de seguridad	**	3
22	Tuerca	**	2	55	Perno	**	3
23	Perno en U	**	1	56	Mango	Véase la pág. 22	1
24	Perno	**	1	57	Cadena (4VME6)	MH4VME201G	2
25	Arandela de presión	**	8		Cadena (4VME7)	MH4VME301G	2
26	Tornillo	**	8		<b>Juego de perno de cadena</b>	<b>MH4VME912G</b>	
	<b>Juego del freno</b>	<b>MH4VME907G</b>		58	Perno de cadena	▲	1
27	Pasador del patín	▲	1	59	Pasador hendido	▲	1
28	Placa de pie	▲	1	60	Tuerca	▲	2
29	Eje	▲	1	61	Deslizadera	MH4VME601G	1
30	Leva	▲	1	62	Perno	**	4
				63	Tuerca	**	4
				64	Bola de acero	**	4
				Δ	<b>Juego de etiquetas de repuesto</b>	<b>MH4VME402G</b>	

(▲) Disponible sólo como parte del juego.

(\*) No se encuentra disponible como parte de reparación.

(\*\*) Herrajes comunes que no se ofrecen como parte de repuesto.

(Δ) No se muestra.

**Para Obtener Partes de Reparación en México Llame al 001-800-527-2331  
en EE.UU. Llame al 1-800-323-0620**

**Servicio permanente – 24 horas al día al año**

Por favor proporciónenos la siguiente información:

- Número de modelo
- Número de serie (si lo tiene)
- Descripción de la parte y número que le corresponde en la lista de partes

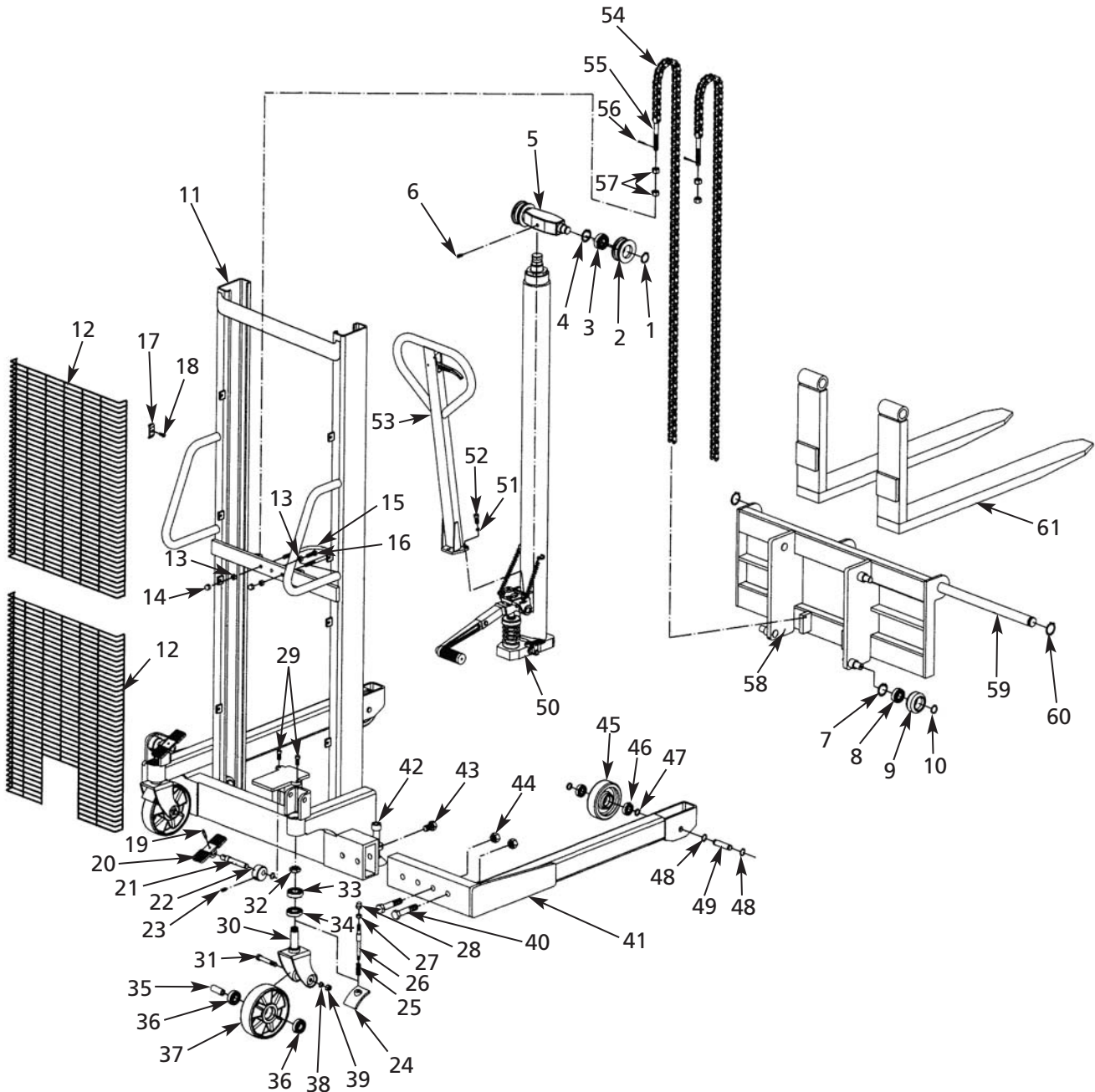


Figura 12 – Ilustración de las Partes de Reparación para el Montacargas

ESPAÑOL

# Modelo 4VME8

## Lista de Partes de Reparación para el Montacargas

No. de Ref.	Descripción	No. de Parte	Cant.	No. de Ref.	Descripción	No. de Parte	Cant.
1	Anillo de fijación	**	2	31	Tornillo	▲	1
	<b>Juego del patín de cadena</b>	<b>MH4VME901G</b>		32	Tuerca	▲	1
2	Patín de cadena	▲	1	33	Cojinete	▲	1
3	Cojinete	▲	1	34	Cojinete	▲	1
4	Anillo de fijación	▲	1	35	Eje de las ruedas	▲	1
5	Bloque del patín	*	1	36	Cojinete	▲	2
6	Tornillo	**	1	37	Rueda	▲	1
	<b>Juego del patín del mástil</b>	<b>MH4VME801G</b>		38	Arandela de seguridad	▲	1
7	Anillo de fijación	▲	1	39	Tuerca	▲	1
8	Cojinete	▲	1	40	Perno	**	4
9	Patín	▲	1	41	Pata elevadora (Derecha)	*	1
10	Anillo de fijación	**	8		Pata elevadora (Izquierda)	*	1
11	Mástil	*	1	42	Perno de sujeción	MH4VME909G	2
12	Rejilla de protección (Superior)	MH4VMD901G	1	43	Perno	**	2
	Rejilla de protección (Inferior)	MH4VMD902G	1	44	Tuerca	**	4
13	Tuerca	**	3		<b>Juego de patín de carga</b>	<b>MH4VME910G</b>	
14	Tuerca	**	2	45	Patín de carga	▲	1
15	Perno en U	**	1	46	Cojinete	▲	2
16	Perno	**	1	47	Arandela	▲	2
17	Arandela de presión	**	8	48	Anillo de fijación	▲	2
18	Tornillo	**	8	49	Eje de patín	▲	1
	<b>Juego del freno</b>	<b>MH4VME907G</b>		50	Bomba	Véase la pág. 24	1
19	Pasador del patín	▲	1	51	Arandela de seguridad	**	3
20	Placa de pie	▲	1	52	Perno	**	3
21	Eje	▲	1	53	Mango	Véase la pág. 22	1
22	Leva	▲	1	54	Cadena	MH4VME802G	2
23	Tornillo	▲	1		<b>Juego de perno de cadena</b>	<b>MH4VME912G</b>	
24	Placa de freno	▲	1	55	Perno de cadena	▲	1
25	Resorte	▲	1	56	Pasador hendido	▲	1
26	Perno	▲	1	57	Tuerca	▲	2
27	Tuerca	▲	1	58	Deslizadera	*	1
28	Tuerca	▲	1	59	Eje	MH4VME913G	1
29	Perno	**	2	60	Anillo de fijación	**	2
	<b>Juego de ruedecillas</b>	<b>MH4VME908G</b>		61	Horquilla	MH4VME914G	2
30	Bastidor de rueda con freno	▲	1	Δ	<b>Juego de etiquetas de repuesto</b>	<b>MH4VME915G</b>	

(▲) Disponible sólo como parte del juego.

(\*) No se encuentra disponible como parte de reparación.

(\*\*) Herrajes comunes que no se ofrecen como parte de repuesto.

(Δ) No se muestra.

**Para Obtener Partes de Reparación en México Llame al 001-800-527-2331  
en EE.UU. Llame al 1-800-323-0620**

**Servicio permanente – 24 horas al día al año**

Por favor proporcionenos la siguiente información:

- Número de modelo
- Número de serie (si lo tiene)
- Descripción de la parte y número que le corresponde en la lista de partes

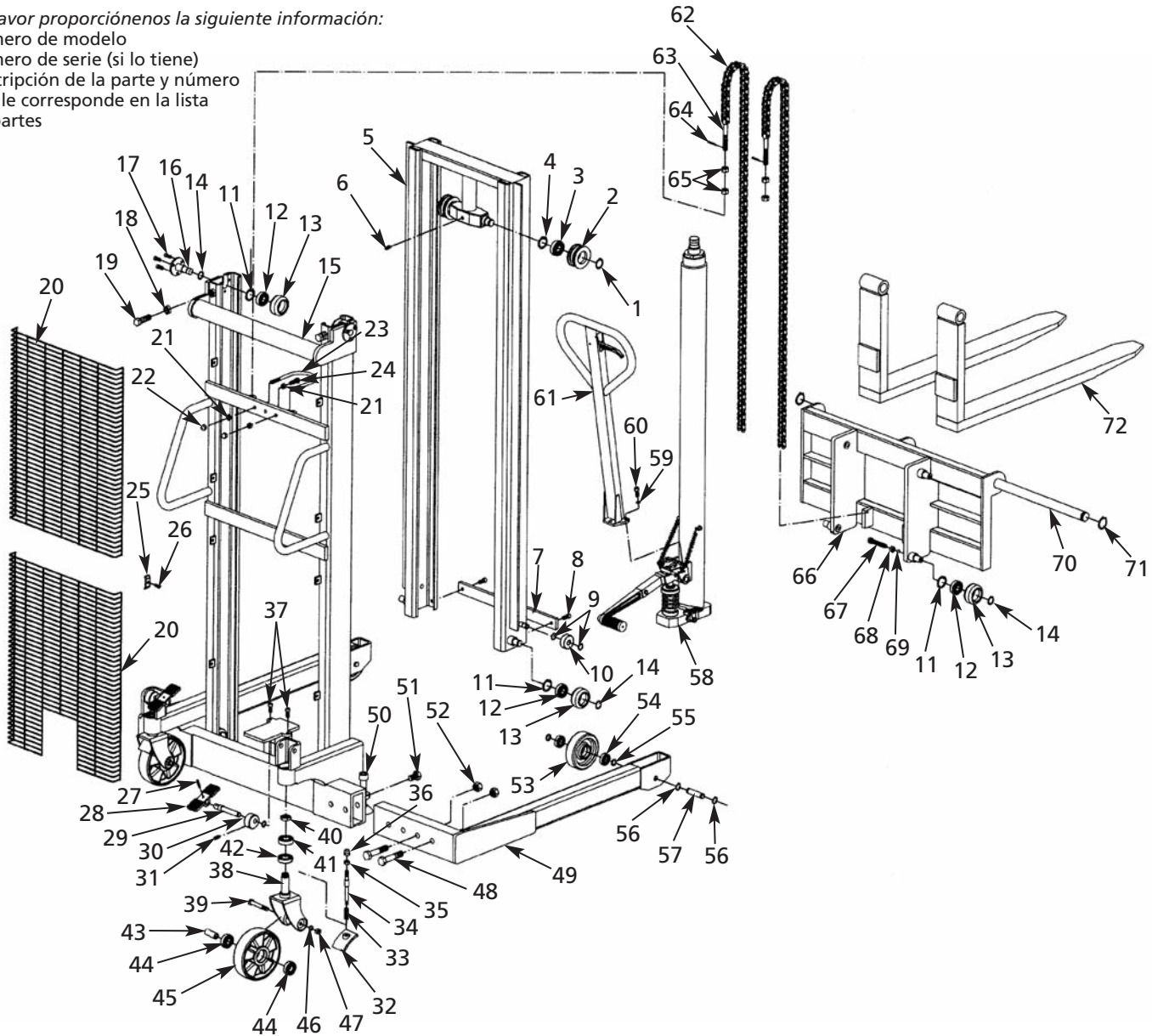


Figura 13 – Ilustración de las Partes de Reparación para el Montacargas

**Lista de Partes de Reparación para el Montacargas**

No. de Ref.	Descripción	No. de Parte	Cant.	No. de Ref.	Descripción	No. de Parte	Cant.
1	Anillo de fijación	**	2	5	Mástil interno	*	1
	<b>Juego del patín de cadena</b>	<b>MH4VME901G</b>		6	Tornillo	**	1
2	Patín de cadena	▲	1	7	Placa de conexión	*	1
3	Cojinete	▲	1	8	Tornillo	**	2
4	Anillo de fijación	▲	1	9	Anillo de fijación	**	4

(▲) Disponible sólo como parte del juego.

(\*) No se encuentra disponible como parte de reparación.

(\*\*) Herrajes comunes que no se ofrecen como parte de repuesto.

E S P A Ñ O L



# Modelos 4VME9 y 4VMF1

## Lista de Partes de Reparación para el Montacargas (Continuación)

No. de Ref.	Descripción	No. de Parte	Cant.	No. de Ref.	Descripción	No. de Parte	Cant.
10	Patín	MH4VME902G	2	40	Tuerca	▲	1
	<b>Juego del patín del mástil</b>	<b>MH4VME903G</b>		41	Cojinete	▲	1
11	Anillo de fijación	▲	1	42	Cojinete	▲	1
12	Cojinete	▲	1	43	Eje de las ruedas	▲	1
13	Patín	▲	1	44	Cojinete	▲	2
14	Anillo de fijación	**	8	45	Rueda	▲	1
15	Mástil exterior	*	1	46	Arandela de seguridad	▲	1
16	Eje con reborde	MH4VME904G	2	47	Tuerca	▲	1
17	Perno	**	6	48	Perno	**	4
18	Tuerca	**	2	49	Pata elevadora (Derecha)	*	1
19	Perno	**	2		Pata elevadora (Izquierda)	*	1
20	Rejilla de protección (Superior) (4VME9)	MH4VME905G	1	50	Perno de sujeción	MH4VME909G	2
	Rejilla de protección (Superior) (4VMF1)	MH4VMD901G	1	51	Perno	**	2
	Rejilla de protección (Inferior) (4VME9)	MH4VME906G	1	52	Tuerca	**	4
	Rejilla de protección (Inferior) (4VMF1)	MH4VMD902G	1		<b>Juego de patín de carga</b>	<b>MH4VME910G</b>	
21	Tuerca	**	3	53	Patín de carga	▲	1
22	Tuerca	**	2	54	Cojinete	▲	2
23	Perno en U	**	1	55	Arandela	▲	2
24	Perno	**	1	56	Anillo de fijación	▲	2
25	Arandela de presión	**	8	57	Eje de patín	▲	1
26	Tornillo	**	8	58	Bomba	Véase la pág. 24	1
	<b>Juego del freno</b>	<b>MH4VME907G</b>		59	Arandela de seguridad	**	3
27	Pasador del patín	▲	1	60	Perno	**	3
28	Placa de pie	▲	1	61	Mango	Véase la pág. 22	1
29	Eje	▲	1	62	Cadena (4VME9)	MH4VME911G	2
30	Leva	▲	1		Cadena (4VMF1)	MH4VMF101G	2
31	Tornillo	▲	1		<b>Juego de perno de cadena</b>	<b>MH4VME912G</b>	
32	Placa de freno	▲	1	63	Perno de cadena	▲	1
33	Resorte	▲	1	64	Pasador hendido	▲	1
34	Perno	▲	1	65	Tuerca	▲	2
35	Tuerca	▲	1	66	Deslizadera	*	1
36	Tuerca	▲	1	67	Perno	**	4
37	Perno	**	2	68	Tuerca	**	4
	<b>Juego de ruedecillas</b>	<b>MH4VME908G</b>		69	Bola de acero	**	4
38	Bastidor de rueda con freno	▲	1	70	Eje	MH4VME913G	1
39	Tornillo	▲	1	71	Anillo de fijación	**	2
				72	Horquilla	MH4VME914G	2
				Δ	<b>Juego de etiquetas de repuesto</b>	<b>MH4VME915G</b>	

(▲) Disponible sólo como parte del juego.

(\*) No se encuentra disponible como parte de reparación.

(\*\*) Herrajes comunes que no se ofrecen como parte de repuesto.

(Δ) No se muestra.

**Para Obtener Partes de Reparación en México Llame al 001-800-527-2331  
en EE.UU. Llame al 1-800-323-0620**

**Servicio permanente – 24 horas al día al año**

Por favor proporciónenos la siguiente información:

- Número de modelo
- Número de serie (si lo tiene)
- Descripción de la parte y número que le corresponde en la lista de partes

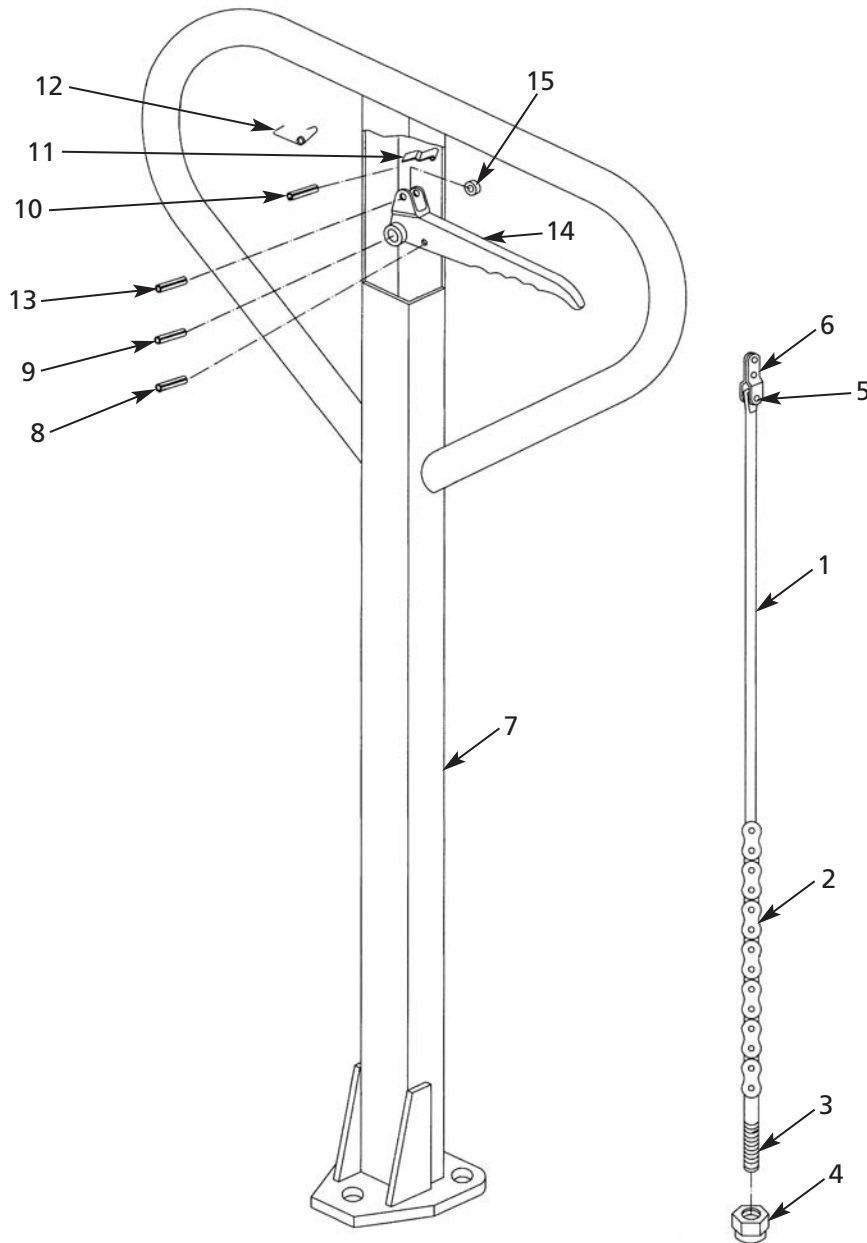


Figura 14 – Ilustración de las Partes de Reparación para la Unidad del Mango

# Modelos 4VMD9, 4VME1 a 4VME9 y 4VMF1

## Lista de Partes de Reparación para la Unidad del Mango

No. de Ref.	Descripción	No. de Parte	Cant.	No. de Ref.	Descripción	No. de Parte	Cant.
	<b>Juego de cadena</b>	<b>MH4VME916G</b>		9	Pasador del patín	MHG112G	4
1	Varilla de liberación	▲	1	10	Pasador del patín	MHG115G	1
2	Cadena	▲	1	11	Resorte de hoja	MHG113G	1
3	Perno de ajuste	▲	1	12	Resorte	MHG114G	1
4	Tuerca de ajuste	▲	1		<b>Juego de palanca de control</b>	<b>MHAC06G</b>	
5	Pasador	▲	1	13	Pasador del patín	▲	1
6	Pieza de tiro	▲	1	14	Palanca de control	▲	1
7	Mango	MH4VME917G	1	15	Patín	▲	1
8	Pasador del patín	MHG116G	1				

(▲) Disponible sólo como parte del juego.

**Para Obtener Partes de Reparación en México Llame al 001-800-527-2331 en EE.UU. Llame al 1-800-323-0620**

**Servicio permanente – 24 horas al día al año**

Por favor proporciónenos la siguiente información:

- Número de modelo
- Número de serie (si lo tiene)
- Descripción de la parte y número que le corresponde en la lista de partes

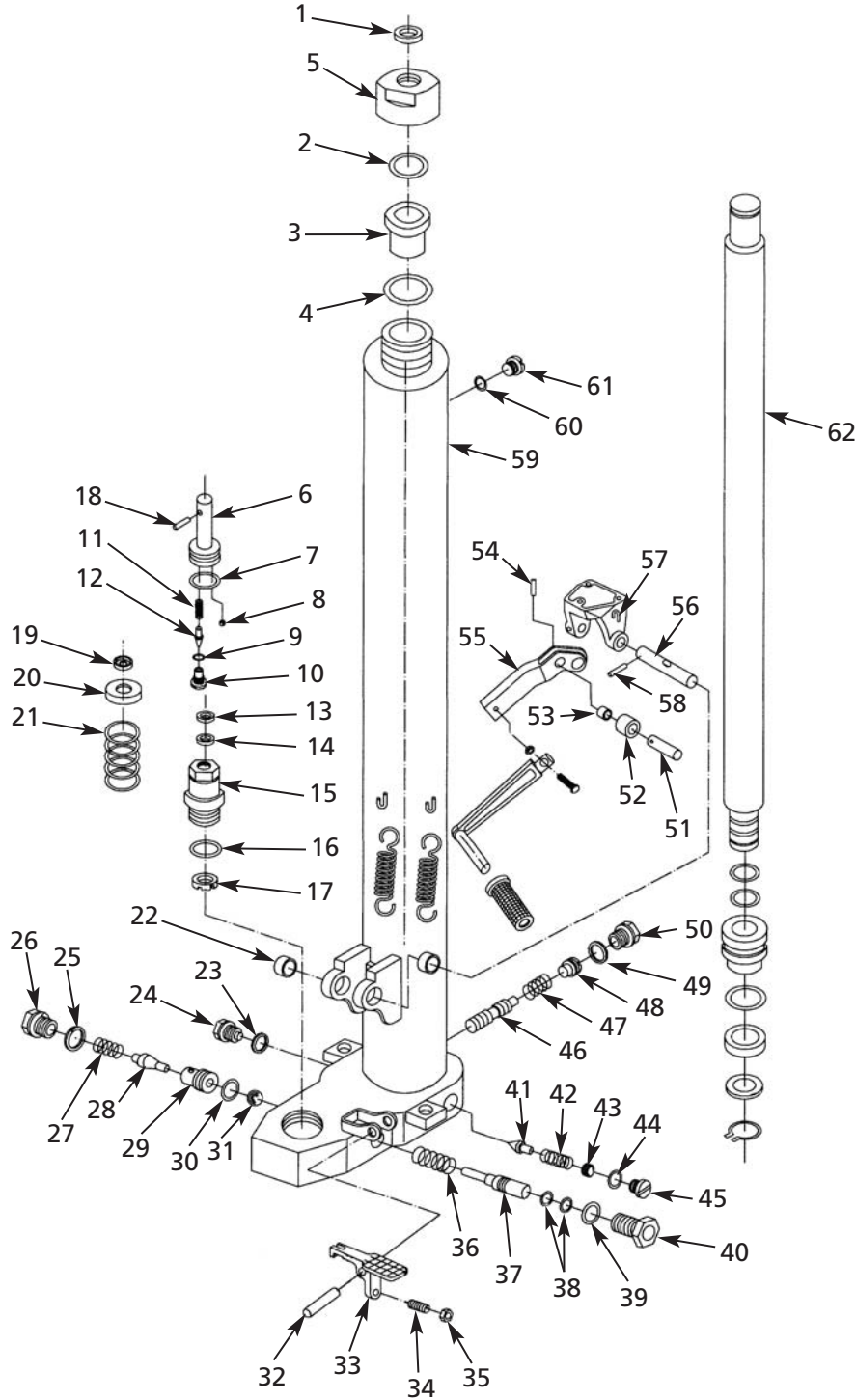


Figura 15A – Ilustración de las Partes de Reparación para la Unidad de la Bomba

E  
S  
P  
A  
Ñ  
O  
L

# Modelos 4VMD9, 4VME1 a 4VME9 y 4VMF1

## Lista de Partes de Reparación para la Unidad de la Bomba

No. de Ref.	Descripción	No. de Parte	Cant.	No. de Ref.	Descripción	No. de Parte	Cant.
	<b>Juego de sello superior</b>	<b>MH4VME918G</b>		32	Pasador del patín	**	1
1	Anillo de polvo	▲	1		<b>Juego de la placa de palanca</b>	<b>MH4VME925G</b>	
2	Anillo O	▲	1	33	Placa de palanca	▲	1
3	Manguito	▲	1	34	Tornillo de fijación	▲	1
4	Arandela de sellado	▲	1	35	Tuerca	▲	1
5	Tapa del cilindro	*	1		<b>Juego de la válvula de liberación</b>	<b>MH4VME926G</b>	
	<b>Juego de la biela del pistón de la bomba</b>	<b>MH4VME919G</b>		36	Resorte	▲	1
6	Biela del pistón de la bomba	▲	1	37	Pasador de válvula de liberación	▲	1
7	Anillo O	▲	1				
8	Bola de acero	▲	1	38	Anillo O	▲	1
9	Anillo O	▲	1	39	Anillo O	▲	1
10	Tornillo	▲	1	40	Perno	▲	1
11	Barra de válvula corredera	▲	1		<b>Juego de válvula de seguridad</b>	<b>MH4VME927G</b>	
12	Tapa del pasador	▲	1	41	Husillo de la válvula de seguridad	▲	1
	<b>Juego del cilindro de la bomba</b>	<b>MH4VME920G</b>		42	Resorte	▲	1
13	Anillo de polvo	▲	1	43	Tornillo de ajuste	▲	1
14	Sello	▲	1	44	Anillo O	▲	1
15	Cilindro de la bomba	▲	1	45	Perno	▲	1
16	Anillo O	▲	1		<b>Juego de la válvula de ajuste de velocidad</b>	<b>MH4VME928G</b>	
17	Arandela	▲	1	46	Pasador de ajuste	▲	1
	<b>Juego de resorte de la bomba</b>	<b>MH4VME921G</b>		47	Resorte	▲	1
18	Pasador	▲	1	48	Tornillo de ajuste	▲	1
19	Tapa del pasador	▲	1	49	Arandela de sellado	▲	1
20	Tapa del resorte	▲	1	50	Perno	▲	1
21	Resorte	▲	1		<b>Juego de la palanca del pedal</b>	<b>MH4VME929G</b>	
22	Buje	MH4VME922G	1	51	Eje para patín	▲	1
	<b>Juego de tapón de drenaje</b>	<b>MH4VME923G</b>		52	Rodillo de presión	▲	1
23	Arandela de sellado	▲	1	53	Buje	▲	1
24	Conector	▲	1	54	Pasador del patín	▲	1
	<b>Juego de la válvula hidráulica</b>	<b>MH4VME924G</b>		55	Palanca del pedal	▲	1
25	Arandela de sellado	▲	1	56	Eje pasador	MH4VME930G	1
26	Perno	▲	1	57	Soporte	MH4VME931G	1
27	Resorte	▲	1	58	Pasador del patín	**	1
28	Husillo de la válvula de la bomba	▲	1	59	Cuerpo de la bomba	*	1
29	Asiento de la válvula de la bomba	▲	1		<b>Juego del tapón de llenado</b>	<b>MH4VME932G</b>	
30	Anillo O	▲	1	60	Arandela de sellado	▲	1
31	Bola de acero	▲	1	61	Conector	▲	1
				62	Biela del pistón	*	1

(▲) Disponible sólo como parte del juego.

(\*) No se encuentra disponible como parte de reparación.

(\*\*) Herrajes comunes que no se ofrecen como parte de repuesto.

**Para Obtener Partes de Reparación en México Llame al 001-800-527-2331  
en EE.UU. Llame al 1-800-323-0620**

**Servicio permanente – 24 horas al día al año**

Por favor proporciónenos la siguiente información:

- Número de modelo
- Número de serie (si lo tiene)
- Descripción de la parte y número que le corresponde en la lista de partes

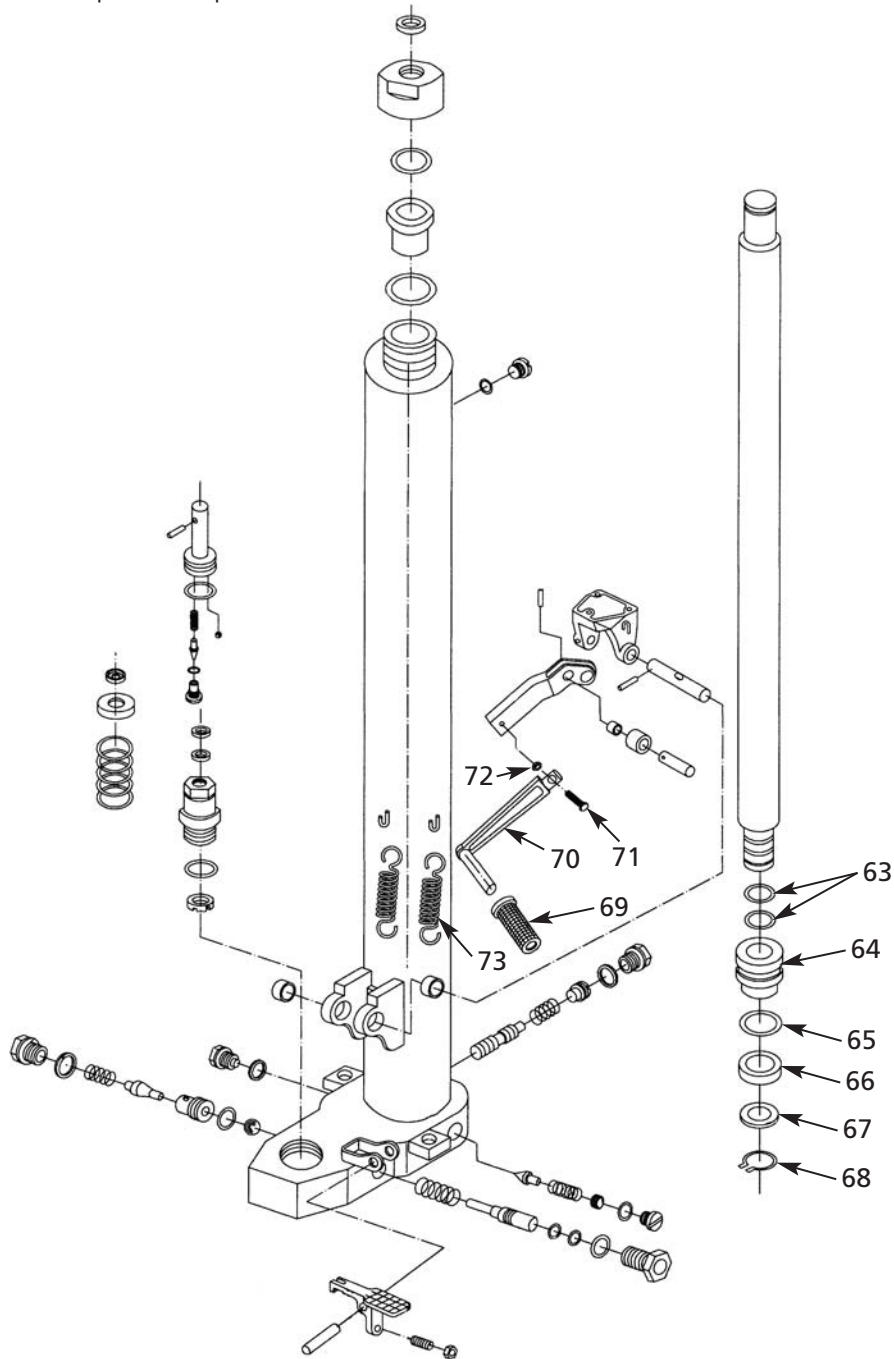


Figura 15B – Ilustración de las Partes de Reparación para la Unidad de la Bomba (Continuación)

# Modelos 4VMD9, 4VME1 a 4VME9 y 4VMF1

## Lista de Partes de Reparación para la Unidad de la Bomba (Continuación)

No. de Ref.	Descripción	No. de Parte	Cant.	No. de Ref.	Descripción	No. de Parte	Cant.
<b>Juego del pistón</b>				<b>MH4VME933G</b>			
63	Anillo O	▲	2	69	Palanca del pedal	▲	1
64	Pistón	▲	1	70	Manguito de caucho	▲	1
65	Anillo O	▲	1	71	Perno	**	1
66	Sello	▲	1	72	Tuerca	**	1
67	Arandela	▲	1	73	Resorte	MH4VME935G	2
68	Anillo de fijación	▲	1				
<b>Juego de pedal</b>				<b>MH4VME934G</b>			

(▲) Disponible sólo como parte del juego.

(\*) No se encuentra disponible como parte de reparación.

(\*\*) Herrajes comunes que no se ofrecen como parte de repuesto.

# Montacargas y Elevadores de Plataformas Dayton®

## GARANTIA LIMITADA

**GARANTIA LIMITADA DE DAYTON POR UN AÑO.** DAYTON ELECTRIC MFG. CO. (DAYTON) LE GARANTIZA AL USUARIO ORIGINAL QUE LOS MODELOS TRATADOS EN ESTE MANUAL DE LOS MONTACARGAS Y ELEVADORES DE PLATAFORMAS DAYTON® ESTAN LIBRES DE DEFECTOS EN LA MANO DE OBRA O EL MATERIAL, CUANDO SE LES SOMETE A USO NORMAL, POR UN AÑO A PARTIR DE LA FECHA DE COMPRA. CUALQUIER PARTE QUE SE HALLE DEFECTUOSA, YA SEA EN EL MATERIAL O EN LA MANO DE OBRA, Y SEA DEVUELTA (CON LOS COSTOS DE ENVIO PAGADOS POR ADELANTADO) A UN CENTRO DE SERVICIO AUTORIZADO DESIGNADO POR DAYTON, SERA REPARADA O REEMPLAZADA (NO EXISTE OTRA POSIBILIDAD) SEGUN LO DETERMINE DAYTON. PARA OBTENER INFORMACION SOBRE LOS PROCEDIMIENTOS DE RECLAMO CUBIERTOS EN LA GARANTIA LIMITADA, VEA LA SECCION "ATENCION OPORTUNA" QUE APARECE MAS ADELANTE. ESTA GARANTIA LIMITADA CONFIERE AL COMPRADOR DERECHOS LEGALES ESPECIFICOS QUE VARIAN DE JURISDICCION A JURISDICCION.

**LIMITES DE RESPONSABILIDAD.** EN LA MEDIDA EN QUE LAS LEYES APLICABLES LO PERMITAN, LA RESPONSABILIDAD DE DAYTON POR LOS DAÑOS EMERGENTES O INCIDENTALES ESTA EXPRESAMENTE EXCLUIDA. LA RESPONSABILIDAD DE DAYTON EXPRESAMENTE ESTA LIMITADA Y NO PUEDE EXCEDER EL PRECIO DE COMPRA PAGADO POR EL ARTICULO.

**EXCLUSION DE RESPONSABILIDAD DE LA GARANTIA.** SE HAN HECHO ESFUERZOS DILIGENTES PARA PROPORCIONAR INFORMACION E ILUSTRACIONES APROPIADAS SOBRE EL PRODUCTO EN ESTE MANUAL; SIN EMBARGO, ESTA INFORMACION Y LAS ILUSTRACIONES TIENEN COMO UNICO PROPOSITO LA IDENTIFICACION DEL PRODUCTO Y NO EXPRESAN NI IMPLICAN GARANTIA DE QUE LOS PRODUCTOS SEAN VENDIBLES O ADECUADOS PARA UN PROPOSITO EN PARTICULAR NI QUE SE AJUSTAN NECESARIAMENTE A LAS ILUSTRACIONES O DESCRIPCIONES. CON EXCEPCION DE LO QUE SE ESTABLECE A CONTINUACION, DAYTON NO HACE NI AUTORIZA NINGUNA GARANTIA O AFIRMACION DE HECHO, EXPRESA O IMPLICITA, QUE NO SEA ESTIPULADA EN LA "GARANTIA LIMITADA" ANTERIOR.

**Consejo Técnico y Recomendaciones, Exclusiones de Responsabilidad.** A pesar de las prácticas, negociaciones o usos comerciales realizados previamente, las ventas no deberán incluir el suministro de consejo técnico o asistencia o diseño del sistema. Dayton no asume ninguna obligación o responsabilidad por recomendaciones, opiniones o consejos no autorizados sobre la elección, instalación o uso de los productos.

**Adaptación del Producto.** Muchas jurisdicciones tienen códigos o regulaciones que rigen la venta, la construcción, la instalación y/o el uso de productos para ciertos propósitos que pueden variar con respecto a los aplicables a las zonas vecinas. Si bien se trata de que los productos Dayton cumplan con dichos códigos, no se puede garantizar su conformidad y no se puede hacer responsable por la forma en que se instale o use su producto. Antes de comprar y usar el producto, revise su aplicación y todos los códigos y regulaciones nacionales y locales aplicables y asegúrese de que el producto, la instalación y el uso los cumplan.

Ciertos aspectos de limitación de responsabilidad no se aplican a productos al consumidor; es decir (a) algunas jurisdicciones no permiten la exclusión ni limitación de daños incidentales o consecuentes, de modo que las limitaciones o exclusiones anteriores quizás no apliquen en su caso; (b) asimismo, algunas jurisdicciones no permiten limitar el plazo de una garantía implícita, por lo tanto, la limitación anterior quizás no aplique en su caso; y (c) por ley, mientras la Garantía Limitada esté vigente no podrán excluirse ni limitarse en modo alguno ninguna garantía implícita de comercialización o de idoneidad para un propósito en particular aplicables a los productos al consumidor adquiridos por éste.

**Atención Oportuna.** Se hará un esfuerzo de buena fe para corregir puntualmente, o hacer otros ajustes, con respecto a cualquier producto que resulte defectuoso dentro de los términos de esta garantía limitada. En el caso de que encuentre un producto defectuoso y que esté cubierto dentro de los límites de esta garantía haga el favor de escribir primero, o llame, al distribuidor a quien le compró el producto. El distribuidor le dará las instrucciones adicionales. Si no puede resolver el problema en forma satisfactoria, escriba a Dayton a la dirección a continuación, dando el nombre del distribuidor, su dirección, la fecha y el número de la factura del distribuidor y describa la naturaleza del defecto. La propiedad del artículo y el riesgo de pérdida pasan al comprador en el momento de la entrega del artículo a la compañía de transporte. Si el producto se daña durante el transporte, debe presentar su reclamo a la compañía transportista.

**Fabricado para Dayton Electric Mfg. Co., 5959 W. Howard St., Niles, Illinois 60714-4014 EE.UU.**



Lire et conserver ces instructions. Il faut les lire attentivement avant de commencer à assembler, installer, faire fonctionner ou entretenir l'appareil décrit. Pour se protéger et protéger autrui, observer toutes les informations sur la sécurité. Négliger d'appliquer ces instructions peut causer des blessures corporelles et/ou des dommages matériels! Conserver ces instructions pour références ultérieures.

# Élévateurs à fourche et plate-forme Dayton®

## Description

Les élévateurs à fourche et à plate-forme sont conçus pour le levage, l'abaissement et le transport manuel, à l'échelon de l'établissement, de charges sur des surfaces fermes et de niveau, comme dans des ateliers, des entrepôts, des magasins, des services de réception et partout où des allées ou aires de stockage congestionnées ne permettent pas l'utilisation d'équipements plus gros.

Les caractéristiques techniques de plusieurs types d'élévateurs peuvent être décrites dans ces instructions d'utilisation. Pendant l'utilisation et l'entretien, utiliser les aspects pertinents de l'élévateur à fourche ou à plate-forme Dayton que vous avez acheté.

## Consignes générales de sécurité

Seuls des opérateurs formés et qualifiés doivent utiliser ce produit.

**ATTENTION** Ne jamais dépasser la capacité maximale de cet élévateur. La charge doit être distribuée uniformément et les limites relatives à son centre de gravité ne doivent pas être dépassées.



Figure 1

## Spécifications

Modèle	Article	Cap. de charge* (kg)	Haut. de levage maxi.	Haut. de levage mini.	Longueur de plate-forme/ fourche	Largueur de plate-forme	Long. hors tout	Larg. hors tout	Haut. hors tout	Centre de la charge**	Roulettes
4VMD9	Élévateur à fourche	907,2	160,0 cm	8,4 cm	109,2 cm	S/O	160,0 cm	72,4 cm	203,2 cm	61 cm	2 fixes, 2 pivotantes
4VME1	Élévateur à fourche	1360,8	160,0	8,4	109,2	S/O	160,0	72,4	203,2	61	2 fixes, 2 pivotantes
4VME2	Élévateur à fourche	907,2	248,9	8,4	109,2	S/O	160,0	72,4	182,9	61	2 fixes, 2 pivotantes
4VME3	Élévateur à fourche	907,2	299,7	8,4	109,2	S/O	160,0	72,4	208,3	61	2 fixes, 2 pivotantes
4VME4	Élévateur à plate-forme	907,2	160,0	15,2	76,2	81,3 cm	137,2	86,4	208,3	46	2 fixes, 2 pivotantes
4VME5	Élévateur à plate-forme	1360,8	160,0	15,2	76,2	81,3	137,2	86,4	208,3	46	2 fixes, 2 pivotantes
4VME6	Élévateur à plate-forme	907,2	248,9	15,2	76,2	81,3	137,2	86,4	188,0	46	2 fixes, 2 pivotantes
4VME7	Élévateur à plate-forme	907,2	299,7	15,2	76,2	81,3	137,2	86,4	213,4	46	2 fixes, 2 pivotantes
4VME8	Élévateur à fourche	907,2	160,0	5,1	91,4	S/O	142,2	109-137	208,3	51	2 fixes, 2 pivotantes
4VME9	Élévateur à fourche	907,2	248,9	5,1	91,4	S/O	142,2	109-137	188,0	51	2 fixes, 2 pivotantes
4VMF1	Élévateur à fourche	907,2	299,7	5,1	91,4	S/O	142,2	109-137	213,4	51	2 fixes, 2 pivotantes

(\*) Caractéristique de capacité de charge maximale lorsque cette charge est distribuée uniformément.

(\*\*) Lire et comprendre les restrictions concernant le centre de gravité de la charge.

# Élévateurs à fourche et plate-forme Dayton®

## Consignes générales de sécurité (suite)

**ATTENTION** *Faire preuve de prudence et surveiller les points de pincement et d'écrasement. Ne jamais placer les mains, les pieds ou des objets sous la fourche ou sous la plate-forme. Ne jamais s'approcher des pièces mobiles.*

**ATTENTION** *Ne pas utiliser sur des surfaces inclinées ou inégales.*

**ATTENTION** *Ne jamais laisser sans surveillance une charge en position élevée.*

**ATTENTION** *Il est interdit de transporter ou de soulever des personnes.*

## Montage

### INSTRUCTIONS DE MONTAGE DES LONGERONS ET DE LA FOURCHE (MODÈLES 4VME8, 4VME9 ET 4VMF1 SEULEMENT)

Ce chargeur de mise en stock peut nécessiter un montage. Si c'est le cas, respecter scrupuleusement les instructions d'installation en veillant à respecter toutes les précautions de sécurité. Certains outils sont nécessaires, notamment des clés, un maillet sans rebond ou autre marteau ne laissant pas de traces, des pinces pour anneaux élastiques et un dispositif de levage, tel une grue.

**ATTENTION** *Ne pas enlever le chargeur de la palette. Le chargeur doit rester fixé sur la palette jusqu'à la fin de l'opération d'assemblage. L'inobservation de cette consigne pourrait provoquer un accident grave. Il est recommandé de stabiliser le chargeur à l'aide d'une grue ou d'un palan approprié.*

### MONTAGE DES LONGERONS

Voir Figure 2.

1. Dévisser et enlever les boulons et les écrous à l'avant et à l'arrière du chargeur.
2. Faire coulisser le longeron dans l'ouverture du châssis jusqu'à la position désirée.

3. Introduire les boulons et bien serrer les écrous à l'avant et à l'arrière.
4. Monter l'autre longeron en suivant les étapes ci-dessus.
5. Enlever le chargeur de la palette à l'aide d'une grue ou autre dispositif de levage adapté.

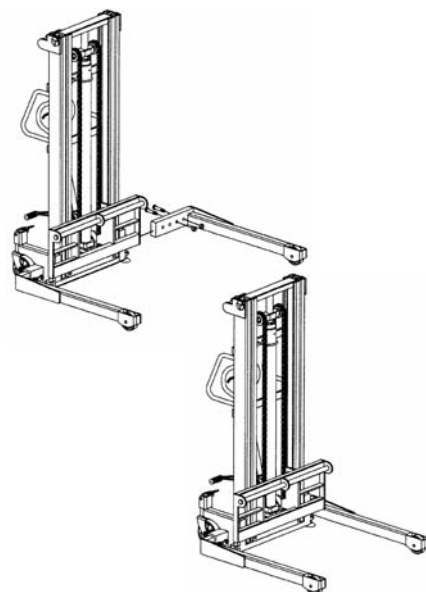
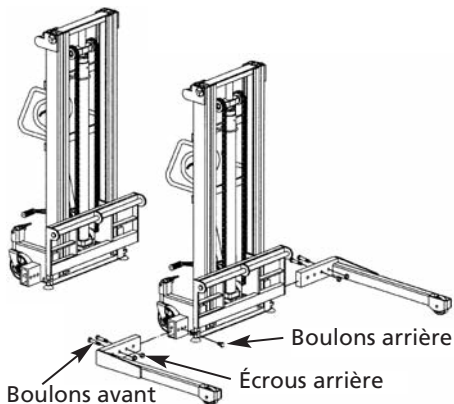


Figure 2 – Montage des longerons

### MONTAGE DES BRAS DE LA FOURCHE

Voir Figure 3.

1. Utiliser les pinces pour anneaux élastiques pour enlever du tablier de la fourche les bagues de retenue et l'arbre du tablier.

2. Placer les bras de la fourche de sorte que leurs trous soient dans l'alignement du trou de passage de l'arbre du tablier. Prévoir une personne pour maintenir en place les bras de la fourche.
3. Insérer l'arbre de sorte qu'il traverse les trous des bras de la fourche et le trou de passage dans le tablier. Ajuster la position des bras de la fourche au besoin.
4. Utiliser les pinces pour anneaux élastiques pour insérer l'anneau de retenue verrouillant la position de l'arbre.

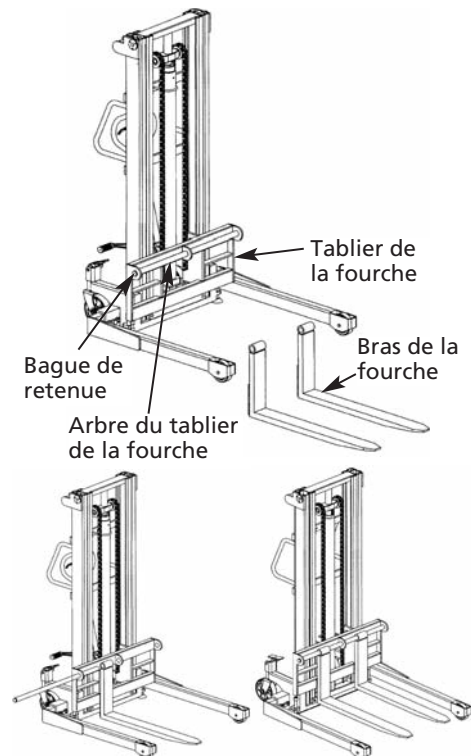


Figure 3 – Montage de la fourche

### MONTAGE DE LA PÉDALE

Voir Figure 4, page 3.

1. Dévisser et enlever les boulons et écrous sur le levier de la pédale.
2. Introduire la pédale dans le levier de pédale.
3. Insérer les boulons et visser les écrous sur le levier de la pédale.

# Modèles 4VMD9, 4VME1 à 4VME9 et 4VMF1

## Montage (suite)

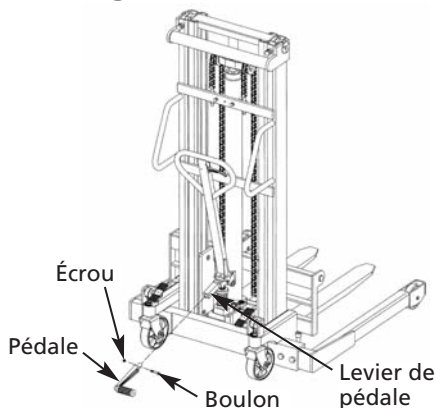


Figure 4 – Montage de la pédale

## Fonctionnement

Lire attentivement tous les manuels inclus avec ce produit **avant** de le mettre en service. Ne jamais dépasser la capacité maximale de cet élévateur.

Lire complètement et suivre les instructions de la rubrique « Purge de l'air se trouvant dans la pompe » dans la section Entretien de ce manuel **avant** de mettre en service cet élévateur Dayton.

Inspecter l'élévateur avant chaque utilisation. Le mettre immédiatement hors service en cas de détection d'un quelconque problème ou défaut, ou encore d'un besoin de réparation.

Liste de contrôle avant utilisation :

- Vérifier le fonctionnement de toutes les pièces mobiles, y compris les roulettes, les roues, les essieux, etc.
- Si l'élévateur est doté d'un frein de parcage, vérifier son fonctionnement.
- Vérifier le réglage, la tension et l'usure de la chaîne de levage.

## ÉLÉVATEURS ÉQUIPÉS D'UN FREIN DE PARCAGE

Utiliser le frein de parcage pendant le placement et le soulèvement des charges et lorsque l'élévateur n'est pas utilisé. Activer le frein en appuyant sur la pédale du centre. Dégager le frein en appuyant sur le levier situé à gauche ou à droite de la pédale du centre.

## LEVAGE D'UNE CHARGE

S'assurer que la charge ne dépasse pas la capacité de l'élévateur et les dimensions de la fourche ou de la plate-forme.

Faire rouler lentement l'élévateur sous la charge, et positionner la fourche sous la palette ou sous la charge, jusqu'à ce que l'arrière de la fourche repose contre la charge, ou placer manuellement la charge sur la plate-forme ou sur la fourche.

**⚠ AVERTISSEMENT** *Ne pas charger l'élévateur*

**lorsqu'il est en position élevée. La charge doit être distribuée uniformément sur les deux bras de la fourche ou sur la plate-forme. Les limites pour la position du centre de gravité de la charge ne doivent pas être dépassées.**

Soulever la charge en pompant plusieurs fois la pédale ou la manette pour atteindre la hauteur désirée.

## DÉPLACEMENT D'UNE CHARGE

La charge doit être dans la position la plus basse possible (tout en maintenant un dégagement sous la charge) lorsqu'elle est déplacée.

Déplacer la charge à une vitesse constante en restant attentif à la charge et à l'état du plancher.

**⚠ AVERTISSEMENT** *Ne pas utiliser l'élévateur sur*

**des surfaces inclinées ou inégales.**

## ABAISSEMENT D'UNE CHARGE

Manœuvrer la charge vers l'endroit prévu et actionner le frein de parcage. S'assurer que rien ne se trouve sous la charge, puis tirer le levier de commande à la position LOWER pour abaisser la charge à la hauteur désirée.

Abaisser complètement la charge lorsque l'équipement n'est pas utilisé.

## POUR SOULEVER LA CHARGE

Insérer les fourches dans la palette. Placer le levier de commande à la position RAISE (lever). Actionner la poignée en l'abaissant et la soulevant pour pomper le vérin afin d'amener la charge à la hauteur désirée.

## POINT MORT

Lorsque la hauteur désirée est atteinte, placer le levier de commande à la position NEUTRAL (point mort). Déplacer l'élévateur jusqu'à l'endroit désiré.

## POUR ABAISSER LA CHARGE

Placer le levier de commande à la position LOWER (abaissier) jusqu'à ce que la charge soit à hauteur désirée.

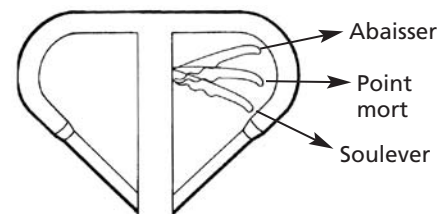


Figure 5

**REMARQUE :** Le levier doit se déplacer automatiquement vers la position NEUTRAL (point mort) lorsqu'il est relâché. Si ce n'est pas le cas, le régler en conséquence.

## RÉGLAGE

Vérifier chaque fonction en pompant sur la poignée, le levier de commande se trouvant dans chacune des trois positions. Si les fonctions ne réagissent pas comme prévu, effectuer les réglages nécessaires comme indiqué ci-dessous. Avec le temps, l'usure normale et les vibrations peuvent nécessiter des réglages supplémentaires réguliers.

1. Si la fourche ne s'élève pas lorsqu'on pompe en position RAISE (soulever), tourner l'écrou de réglage (réf. n° 4, Fig. 14) et/ou la vis de calage (réf. n° 34, Fig. 15A) dans le sens antihoraire jusqu'à ce que les fourches s'élèvent pendant le pompage à la position RAISE (soulever).
2. Si la fourche ne s'abaisse pas lorsque le levier est en position LOWER (abaissier), tourner l'écrou et/ou la vis de calage dans le sens horaire jusqu'à ce que le levier de commande abaisse correctement la fourche.

FRANÇAIS

# Élévateurs à fourche et plate-forme Dayton®

## Fonctionnement (suite)

- Si la fourche s'élève lorsqu'on pompe en position NEUTRAL (point mort), tourner l'écrou de réglage et/ou la vis de calage dans le sens horaire jusqu'à ce que le pompage ne soulève plus la fourche, c'est-à-dire que la position NEUTRAL (point mort) fonctionne correctement.
- Si la fourche descend lorsque le levier est en position NEUTRAL (point mort), tourner l'écrou de réglage et/ou la vis de calage dans le sens antihoraire jusqu'à ce que la fourche ne s'abaisse plus.

Après avoir effectué le réglage d'une fonction, vérifier toutes les autres fonctions pour s'assurer qu'elles n'ont pas été affectées, **avant d'utiliser l'appareil.**

## Entretien

**⚠ AVERTISSEMENT** *Enlever les charges avant d'effectuer une inspection ou une opération d'entretien. N'utiliser que des pièces de rechange authentiques.*

### AJOUT D'HUILE

Si la fourche ou la plate-forme ne se lève pas à la hauteur nominale, il est peut-être nécessaire d'ajouter de l'huile hydraulique. Utiliser de l'huile hydraulique ISO VG32 ou son équivalent, avec une viscosité de 32cSt à 40 °C (104 °F). Il est interdit de mélanger des huiles différentes! Le volume total d'huile est d'environ 2 litres. Vérifier le niveau d'huile tous les six mois.

**REMARQUE :** L'huile usée doit être mise au rebut en conformité avec les normes environnementales et avec les directives des autorités réglementaires.

## LUBRIFICATION

Lubrifier régulièrement tous les raccords de graissage conformément au programme d'entretien ou après un nettoyage intensif susceptible d'enlever la graisse des points de graissage critiques en utilisant une graisse lubrifiante tout usage ZG2# ou 3#.

### PURGE DE L'AIR PRÉSENT DANS LA POMPE

De l'air peut pénétrer dans l'huile hydraulique pendant le transport ou encore si l'appareil est incliné, de sorte que la fourche pourrait ne pas se lever immédiatement lors d'un pompage en position de levage RAISE (soulever). Pour purger l'air de la pompe, déplacer le levier de commande vers la position **LOWER** (abaissier) puis actionner la tirette plusieurs fois vers le haut et le bas.

### INSPECTION QUOTIDIENNE ET ENTRETIEN

Une inspection quotidienne de l'élévateur peut réduire significativement son usure et son besoin d'entretien. Une attention particulière doit être portée aux roues, aux roulettes et aux rouleaux du tablier pour y détecter des obstructions éventuelles.

### INTERVALLES D'ENTRETIEN RECOMMANDÉS

La vie utile de l'élévateur est limitée. Les pièces usées doivent être remplacées rapidement.

#### QUOTIDIENNEMENT :

- Vérifier que les pièces mobiles et les commandes d'utilisation fonctionnent correctement
- Vérifier l'absence d'usure excessive ou de détérioration au niveau des roues et des rouleaux de tablier

– Vérifier le réglage, la tension et l'usure de la chaîne de levage

– Graisser la chaîne si nécessaire

#### TOUS LES MOIS :

- Graisser les joints et les roulements
- Vérifier les fonctions et la capacité de rotation des roues et des rouleaux
- Vérifier le circuit hydraulique pour y détecter des fuites éventuelles et vérifier toute la plage des mouvements

#### TOUS LES TROIS MOIS :

- Vérifier le niveau de l'huile hydraulique alors que la plate-forme ou la fourche est abaissée et que l'élévateur est en position horizontale
- Vérifier le réglage de la soupape de sûreté.
- Vérifier tous les raccordements de vis et de boulons et s'assurer qu'ils sont bien serrés

#### TOUS LES ANS :

- Vérifier toutes les pièces pour y détecter une usure éventuelle et remplacer les pièces défectueuses si nécessaire
- Purger et remplacer l'huile hydraulique
- Vérifier que toutes les étiquettes et avis de sécurité sont bien visibles; les remplacer si nécessaire

**⚠ AVERTISSEMENT** *Ne pas tenter de réparer des élévateurs à moins d'avoir été formé et autorisé à le faire. Cela pourrait entraîner des accidents graves.*

**⚠ AVERTISSEMENT** *Ces produits ne peuvent être modifiés en aucune manière sans l'autorisation écrite du fabricant.*

# Modèles 4VMD9, 4VME1 à 4VME9 et 4VMF1

## Tableau de dépannage

Symptôme	Cause(s) possible(s)	Action corrective
La fourche ou la plate-forme ne se soulève pas, ne se soulève pas complètement ou se soulève lentement	<ol style="list-style-type: none"> <li>1. Niveau insuffisant d'huile hydraulique</li> <li>2. Présence d'air dans le circuit hydraulique</li> <li>3. Levier de commande placé dans la mauvaise position</li> <li>4. La charge est trop lourde. La valve de vidange de surcharge est activée</li> <li>5. La température est trop basse, ce qui a rendu l'huile hydraulique trop épaisse</li> </ol>	<ol style="list-style-type: none"> <li>1. Ajouter de l'huile hydraulique agréée, comme indiqué à la page 4 (dans la section Entretien)</li> <li>2. Suivre la procédure de purge de l'air présent dans la pompe, à la page 4 (dans la section Entretien)</li> <li>3. Placer le levier de commande dans la bonne position (voir section Fonctionnement, à la page 3)</li> <li>4. Réduire la charge</li> <li>5. Déplacer l'élévateur vers un endroit plus chaud</li> </ol>
La fourche ou la plate-forme ne s'abaisse pas ou ne s'abaisse pas complètement	<ol style="list-style-type: none"> <li>1. Un obstacle crée une obstruction sous la fourche ou la plate-forme, dans le mécanisme de la fourche, etc.</li> <li>2. La tige de piston (réf. n° 62) ou le corps de pompe (réf. n° 59) est déformé(e) suite à une charge excessive ou inégalement répartie (voir Figure 15A)</li> <li>3. La fourche ou la plate-forme a été maintenue en position élevée pendant une longue période de temps, ce qui a entraîné la rouille ou le coincement de la tige de piston</li> <li>4. L'écrou de réglage (réf. n° 4, Figure 14) et la vis de calage (réf. n° 34, Figure 15A) sont dans la mauvaise position</li> </ol>	<ol style="list-style-type: none"> <li>1. Enlever l'obstruction avec prudence</li> <li>2. Remplacer la tige de piston (réf. n° 62) ou le corps de pompe (réf. n° 59) (voir Figure 15A)</li> <li>3. Lubrifier le piston. Le remplacer au besoin. Garder la fourche ou la plate-forme à la position abaissée lorsque l'appareil n'est pas utilisé</li> <li>4. Les régler (voir section Réglage, à la page 3)</li> </ol>
La fourche ou la plate-forme s'abaisse sans que le levier de commande soit à la position d'abaissement (LOWER)	<ol style="list-style-type: none"> <li>1. Des impuretés dans l'huile empêchent la fermeture complète de la soupape de sûreté</li> <li>2. Certains composants ou joints du circuit hydraulique sont fissurés ou usés</li> <li>3. Présence d'air dans le circuit hydraulique</li> <li>4. L'écrou de réglage (réf. n° 4, Figure 14) et la vis de calage (réf. n° 34, Figure 15A) sont dans la mauvaise position</li> </ol>	<ol style="list-style-type: none"> <li>1. Vidanger l'huile hydraulique et la remplacer par de l'huile agréée, comme indiqué à la page 4 (dans la section Entretien)</li> <li>2. Inspecter et remplacer les composants si nécessaire</li> <li>3. Suivre la procédure de purge de l'air présent dans la pompe, à la page 4 (dans la section Entretien)</li> <li>4. Les régler (voir section Réglage, à la page 3)</li> </ol>

**Pour commander des pièces détachées, composer sans frais le  
1-800-323-0620**

**24 heures par jour – 365 jours par an**

Fournir les informations suivantes :

- Numéro de modèle
- Numéro de série (s'il y en a un)
- Description et numéro de pièce comme indiqué sur la liste des pièces

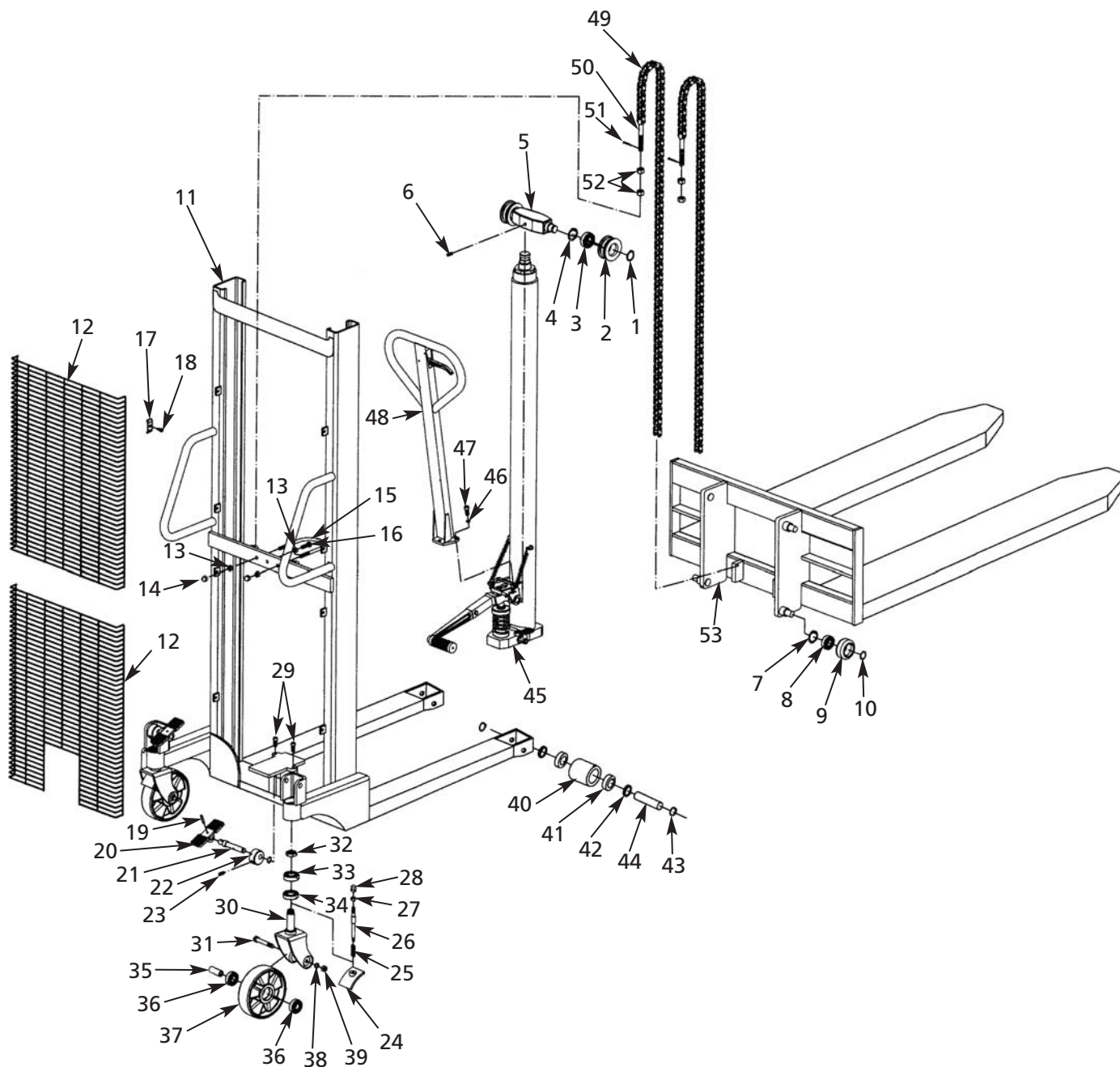


Figure 6 – Illustration des pièces détachées pour élévateur à fourche

FRANÇAIS

# Modèle 4VMD9

## Liste des pièces détachées pour élévateur à fourche

N° de réf.	Description	N° de pièce	Qté	N° de réf.	Description	N° de pièce	Qté
1	Bague de verrouillage	**	2	29	Boulon	**	2
	<b>Kit de rouleau de chaîne</b>	<b>MH4VME901G</b>			<b>Kit de roulette</b>	<b>MH4VME908G</b>	
2	Rouleau de chaîne	▲	1	30	Cadre de roulette	▲	1
3	Roulement	▲	1	31	Vis	▲	1
4	Bague de verrouillage	▲	1	32	Écrou	▲	1
5	Butée de roulement	*	1	33	Roulement	▲	1
6	Vis	**	1	34	Roulement	▲	1
	<b>Kit de rouleau de mât</b>	<b>MH4VME801G</b>		35	Essieu de roue	▲	1
7	Bague de verrouillage	▲	1	36	Roulement	▲	2
8	Roulement	▲	1	37	Roue	▲	1
9	Rouleau	▲	1	38	Rondelle de sécurité	▲	1
10	Bague de verrouillage	**	8	39	Écrou	▲	1
11	Mât élévateur	*	1		<b>Kit de rouleau de charge</b>	<b>MH4VMD903G</b>	
12	Grille de protection (supérieure)	MH4VMD901G	1	40	Rouleau de charge	▲	1
	Grille de protection (inférieure)	MH4VMD902G	1	41	Roulement	▲	2
13	Écrou	**	3	42	Rondelle	▲	2
14	Écrou	**	2	43	Bague de verrouillage	▲	2
15	Boulon en U	**	1	44	Axe de rouleau	▲	1
16	Boulon	**	1	45	Pompe	Voir page 24	1
17	Rondelle de butée	**	8	46	Rondelle de sécurité	**	3
18	Vis	**	8	47	Boulon	**	3
	<b>Kit de frein</b>	<b>MH4VME907G</b>		48	Poignée	Voir page 22	1
19	Goupille cylindrique	▲	1	49	Chaîne	MH4VMD904G	2
20	Pédale	▲	1		<b>Kit de boulon de chaîne</b>	<b>MH4VME912G</b>	
21	Arbre	▲	1	50	Boulon de chaîne	▲	1
22	Came	▲	1	51	Goupille fendue	▲	1
23	Vis	▲	1	52	Écrou	▲	2
24	Plaque de freinage	▲	1	53	Tablier	*	1
25	Ressort	▲	1	Δ	<b>Kit d'étiquette de rechange</b>	<b>MH4VMD905G</b>	
26	Boulon	▲	1				
27	Écrou	▲	1				
28	Écrou	▲	1				

(▲) Disponible seulement comme partie du kit.

(\*) Non disponible comme pièce détachée.

(\*\*) Article de quincaillerie ordinaire qui n'est pas offert comme pièce de rechange.

(Δ) Non représenté.

**Pour commander des pièces détachées, composer sans frais le  
1-800-323-0620**

**24 heures par jour – 365 jours par an**

Fournir les informations suivantes :

- Numéro de modèle
- Numéro de série (s'il y en a un)
- Description et numéro de pièce comme indiqué sur la liste des pièces

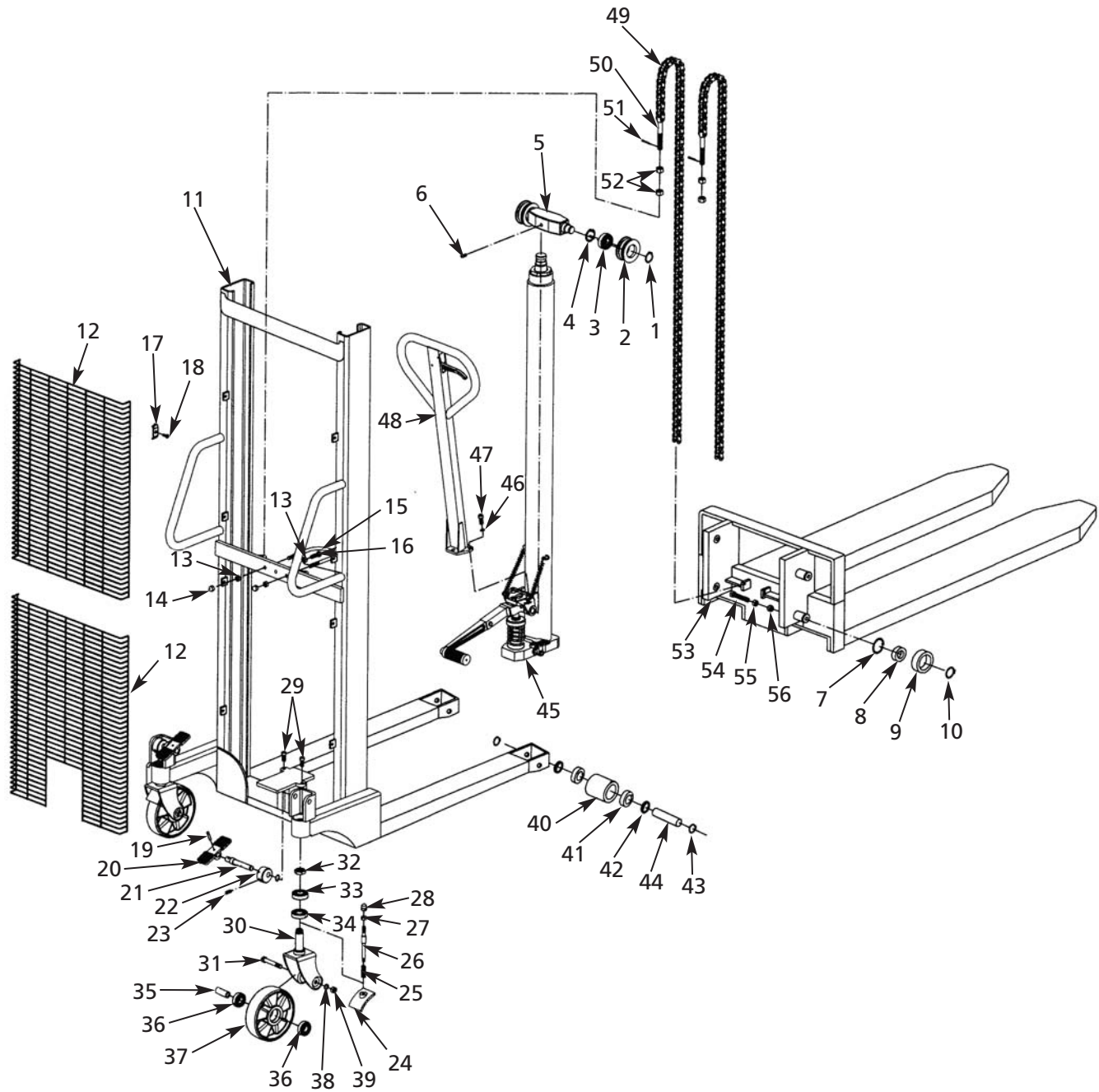


Figure 7 – Illustration des pièces détachées pour élévateur à fourche

FRANÇAIS



# Modèle 4VME1

## Liste des pièces détachées pour élévateur à fourche

N° de réf.	Description	N° de pièce	Qté	N° de réf.	Description	N° de pièce	Qté
1	Bague de verrouillage	**	2	29	Boulon	**	2
	<b>Kit de rouleau de chaîne</b>	<b>MH4VME901G</b>			<b>Kit de roulette</b>	<b>MH4VME908G</b>	
2	Rouleau de chaîne	▲	1	30	Cadre de roulette	▲	1
3	Roulement	▲	1	31	Vis	▲	1
4	Bague de verrouillage	▲	1	32	Écrou	▲	1
5	Butée de roulement	*	1	33	Roulement	▲	1
6	Vis	**	1	34	Roulement	▲	1
	<b>Kit de rouleau de mât</b>	<b>MH4VME101G</b>		35	Essieu de roue	▲	1
7	Bague de verrouillage	▲	1	36	Roulement	▲	2
8	Roulement	▲	1	37	Roue	▲	1
9	Rouleau	▲	1	38	Rondelle de sécurité	▲	1
10	Bague de verrouillage	**	8	39	Écrou	▲	1
11	Mât élévateur	*	1		<b>Kit de rouleau de charge</b>	<b>MH4VMD903G</b>	
12	Grille de protection (supérieure)	MH4VMD901G	1	40	Rouleau de charge	▲	1
	Grille de protection (inférieure)	MH4VMD902G	1	41	Roulement	▲	2
13	Écrou	**	3	42	Rondelle	▲	2
14	Écrou	**	2	43	Bague de verrouillage	▲	2
15	Boulon en U	**	1	44	Axe de rouleau	▲	1
16	Boulon	**	1	45	Pompe	Voir page 24	1
17	Rondelle de butée	**	8	46	Rondelle de sécurité	**	3
18	Vis	**	8	47	Boulon	**	3
	<b>Kit de frein</b>	<b>MH4VME907G</b>		48	Poignée	Voir page 22	1
19	Goupille cylindrique	▲	1	49	Chaîne	MH4VMD904G	2
20	Pédale	▲	1		<b>Kit de boulon de chaîne</b>	<b>MH4VME912G</b>	
21	Arbre	▲	1	50	Boulon de chaîne	▲	1
22	Came	▲	1	51	Goupille fendue	▲	1
23	Vis	▲	1	52	Écrou	▲	2
24	Plaque de freinage	▲	1	53	Tablier	*	1
25	Ressort	▲	1	54	Boulon	**	4
26	Boulon	▲	1	55	Écrou	**	4
27	Écrou	▲	1	56	Bille en acier	**	4
28	Écrou	▲	1	Δ	<b>Kit d'étiquette de rechange</b>	<b>MH4VME102G</b>	

(▲) Disponible seulement comme partie du kit.

(\*) Non disponible comme pièce détachée.

(\*\*) Article de quincaillerie ordinaire qui n'est pas offert comme pièce de rechange.

(Δ) Non représenté.

**Pour commander des pièces détachées, composer sans frais le  
1-800-323-0620**

**24 heures par jour – 365 jours par an**

Fournir les informations suivantes :

- Numéro de modèle
- Numéro de série (s'il y en a un)
- Description et numéro de pièce comme indiqué sur la liste des pièces

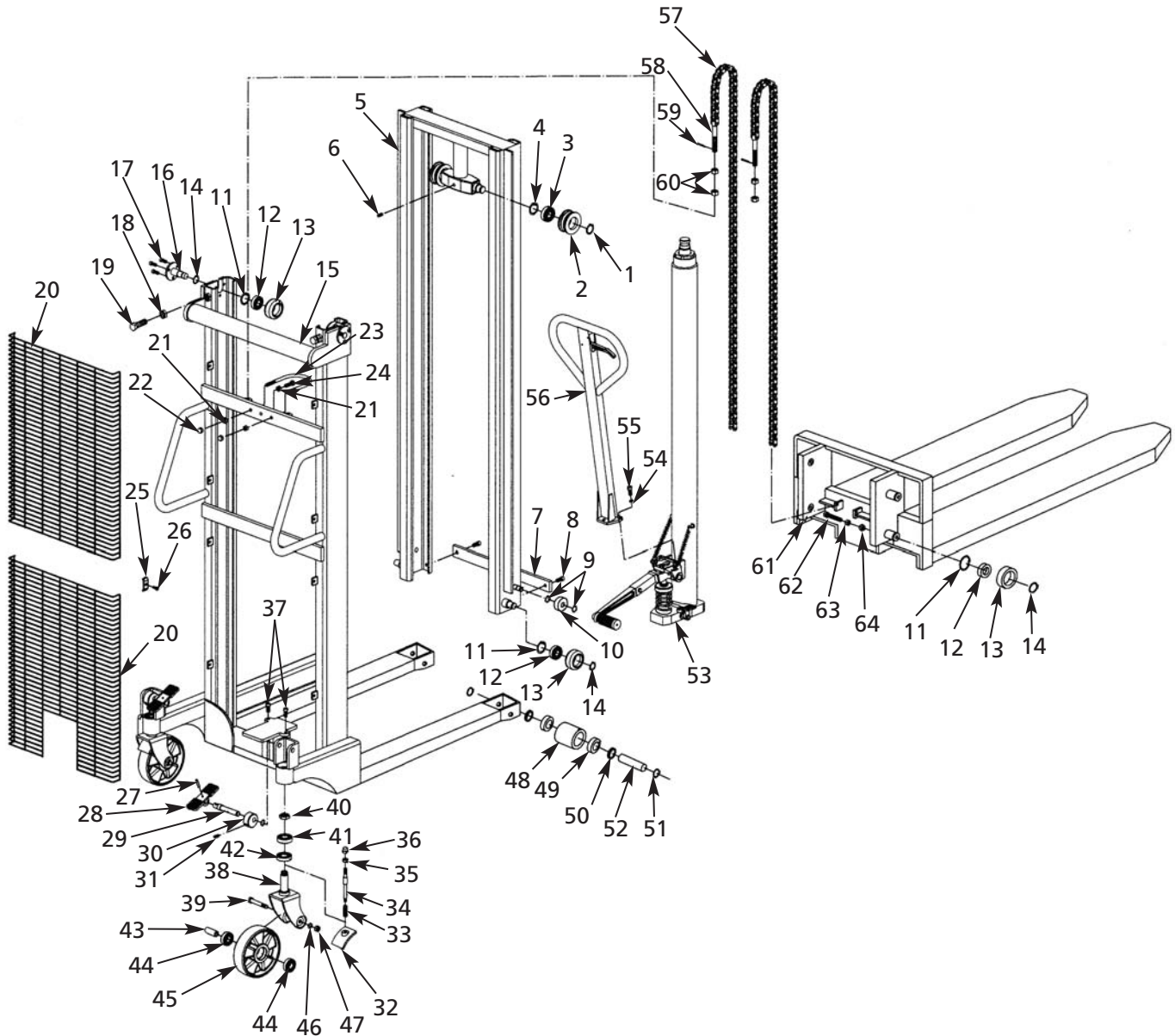


Figure 8 – Illustration des pièces détachées pour élévateur à fourche

FRANÇAIS

## Modèles 4VME2 et 4VME3

### Liste des pièces détachées pour élévateur à fourche

N° de réf.	Description	N° de pièce	Qté	N° de réf.	Description	N° de pièce	Qté
1	Bague de verrouillage	**	2	31	Vis	▲	1
	<b>Kit de rouleau de chaîne</b>	<b>MH4VME901G</b>		32	Plaque de freinage	▲	1
2	Rouleau de chaîne	▲	1	33	Ressort	▲	1
3	Roulement	▲	1	34	Boulon	▲	1
4	Bague de verrouillage	▲	1	35	Écrou	▲	1
5	Intérieur du mât élévateur	*	1	36	Écrou	▲	1
6	Vis	**	1	37	Boulon	**	2
7	Raccord	*	1		<b>Kit de roulette</b>	<b>MH4VME908G</b>	
8	Vis	**	2	38	Cadre de roulette	▲	1
9	Bague de verrouillage	**	4	39	Vis	▲	1
10	Rouleau	MH4VME902G	2	40	Écrou	▲	1
	<b>Kit de rouleau de mât</b>	<b>MH4VME903G</b>		41	Roulement	▲	1
11	Bague de verrouillage	▲	1	42	Roulement	▲	1
12	Roulement	▲	1	43	Essieu de roue	▲	1
13	Rouleau	▲	1	44	Roulement	▲	2
14	Bague de verrouillage	**	8	45	Roue	▲	1
15	Extérieur du mât élévateur	*	1	46	Rondelle de sécurité	▲	1
16	Arbre à épaulement	MH4VME904G	2	47	Écrou	▲	1
17	Boulon	**	6		<b>Kit de rouleau de charge</b>	<b>MH4VMD903G</b>	
18	Écrou	**	2	48	Rouleau de charge	▲	1
19	Boulon	**	2	49	Roulement	▲	2
20	Grille de protection (supérieure) (4VME2)	MH4VME905G	1	50	Rondelle	▲	2
	Grille de protection (supérieure) (4VME3)	MH4VMD901G	1	51	Bague de verrouillage	▲	2
	Grille de protection (inférieure) (4VME2)	MH4VME906G	1	52	Axe de rouleau	▲	1
	Grille de protection (inférieure) (4VME3)	MH4VMD902G	1	53	Pompe	Voir page 24	1
21	Écrou	**	3	54	Rondelle de sécurité	**	3
22	Écrou	**	2	55	Boulon	**	3
23	Boulon en U	**	1	56	Poignée	Voir page 22	1
24	Boulon	**	1	57	Chaîne (4VME2)	MH4VME201G	2
25	Rondelle de butée	**	8		Chaîne (4VME3)	MH4VME301G	2
26	Vis	**	8		<b>Kit de boulon de chaîne</b>	<b>MH4VME912G</b>	
	<b>Kit de frein</b>	<b>MH4VME907G</b>		58	Boulon de chaîne	▲	1
27	Goupille cylindrique	▲	1	59	Goupille fendue	▲	1
28	Pédale	▲	1	60	Écrou	▲	2
29	Arbre	▲	1	61	Tablier	*	1
30	Came	▲	1	62	Boulon	**	4
				63	Écrou	**	4
				64	Bille en acier	**	4
				Δ	<b>Kit d'étiquette de rechange</b>	<b>MH4VMD905G</b>	

(▲) Disponible seulement comme partie du kit.

(\*) Non disponible comme pièce détachée.

(\*\*) Article de quincaillerie ordinaire qui n'est pas offert comme pièce de rechange.

(Δ) Non représenté.

**Pour commander des pièces détachées, composer sans frais le  
1-800-323-0620**

**24 heures par jour – 365 jours par an**

Fournir les informations suivantes :

- Numéro de modèle
- Numéro de série (s'il y en a un)
- Description et numéro de pièce comme indiqué sur la liste des pièces

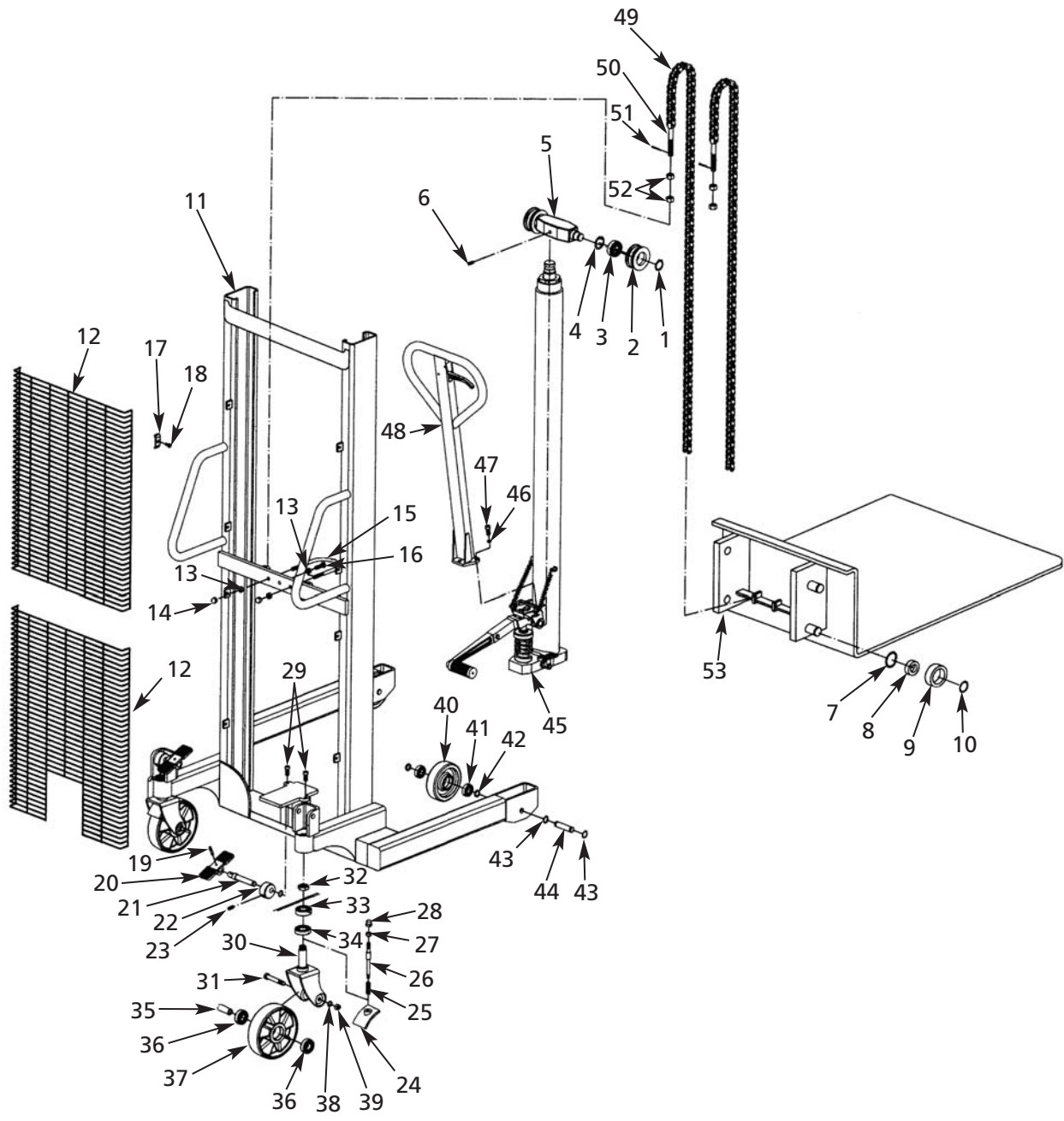


Figure 9 – Illustration des pièces détachées pour élévateur à plate-forme

FRANÇAIS

# Modèle 4VME4

## Liste des pièces détachées pour élévateur à plate-forme

N° de réf.	Description	N° de pièce	Qté	N° de réf.	Description	N° de pièce	Qté
1	Bague de verrouillage	**	2	29	Boulon	**	2
	<b>Kit de rouleau de chaîne</b>	<b>MH4VME901G</b>			<b>Kit de roulette</b>	<b>MH4VME908G</b>	
2	Rouleau de chaîne	▲	1	30	Cadre de roulette	▲	1
3	Roulement	▲	1	31	Vis	▲	1
4	Bague de verrouillage	▲	1	32	Écrou	▲	1
5	Butée de roulement	*	1	33	Roulement	▲	1
6	Vis	**	1	34	Roulement	▲	1
	<b>Kit de rouleau de mât</b>	<b>MH4VME801G</b>		35	Essieu de roue	▲	1
7	Bague de verrouillage	▲	1	36	Roulement	▲	2
8	Roulement	▲	1	37	Roue	▲	1
9	Rouleau	▲	1	38	Rondelle de sécurité	▲	1
10	Bague de verrouillage	**	8	39	Écrou	▲	1
11	Mât élévateur	*	1		<b>Kit de rouleau de charge</b>	<b>MH4VME910G</b>	
12	Grille de protection (supérieure)	MH4VMD901G	1	40	Rouleau de charge	▲	1
	Grille de protection (inférieure)	MH4VMD902G	1	41	Roulement	▲	2
13	Écrou	**	3	42	Rondelle	▲	2
14	Écrou	**	2	43	Bague de verrouillage	▲	2
15	Boulon en U	**	1	44	Axe de rouleau	▲	1
16	Boulon	**	1	45	Pompe	Voir page 24	1
17	Rondelle de butée	**	8	46	Rondelle de sécurité	**	3
18	Vis	**	8	47	Boulon	**	3
	<b>Kit de frein</b>	<b>MH4VME907G</b>		48	Poignée	Voir page 22	1
19	Goupille cylindrique	▲	1	49	Chaîne	MH4VMD904G	2
20	Pédale	▲	1		<b>Kit de boulon de chaîne</b>	<b>MH4VME912G</b>	
21	Arbre	▲	1	50	Boulon de chaîne	▲	1
22	Came	▲	1	51	Goupille fendue	▲	1
23	Vis	▲	1	52	Écrou	▲	2
24	Plaque de freinage	▲	1	53	Tablier	MH4VME401G	1
25	Ressort	▲	1	Δ	<b>Kit d'étiquette de rechange</b>	<b>MH4VME402G</b>	
26	Boulon	▲	1				
27	Écrou	▲	1				
28	Écrou	▲	1				

(▲) Disponible seulement comme partie du kit.

(\*) Non disponible comme pièce détachée.

(\*\*) Article de quincaillerie ordinaire qui n'est pas offert comme pièce de rechange.

(Δ) Non représenté.

**Pour commander des pièces détachées, composer sans frais le  
1-800-323-0620**

**24 heures par jour – 365 jours par an**

Fournir les informations suivantes :

- Numéro de modèle
- Numéro de série (s'il y en a un)
- Description et numéro de pièce comme indiqué sur la liste des pièces

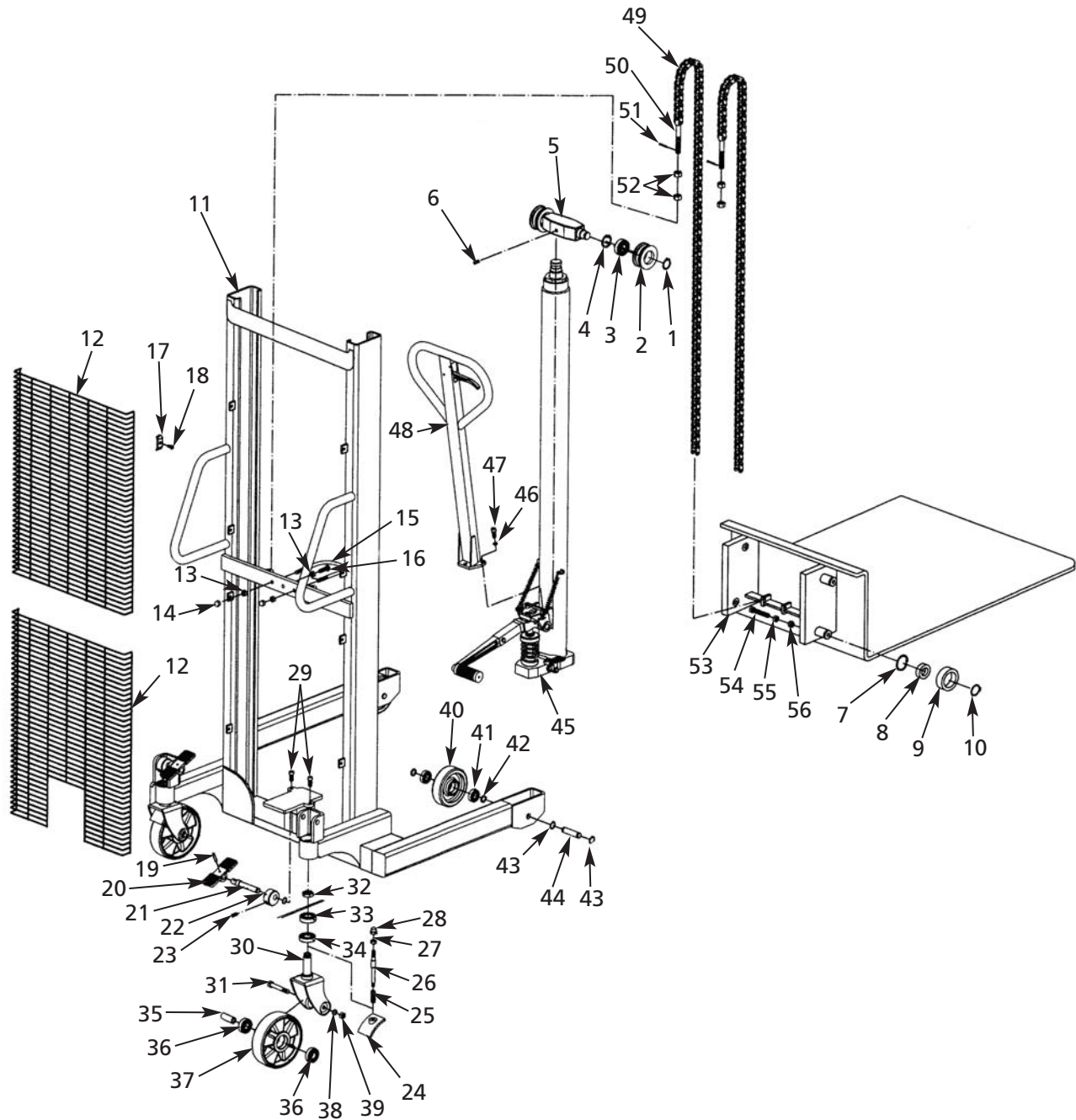


Figure 10 – Illustration des pièces détachées pour élévateur à plate-forme

FRANÇAIS

## Modèle 4VME5

### Liste des pièces détachées pour élévateur à plate-forme

N° de réf.	Description	N° de pièce	Qté	N° de réf.	Description	N° de pièce	Qté
1	Bague de verrouillage	**	2	29	Boulon	**	2
	<b>Kit de rouleau de chaîne</b>	<b>MH4VME901G</b>			<b>Kit de roulette</b>	<b>MH4VME908G</b>	
2	Rouleau de chaîne	▲	1	30	Cadre de roulette	▲	1
3	Roulement	▲	1	31	Vis	▲	1
4	Bague de verrouillage	▲	1	32	Écrou	▲	1
5	Butée de roulement	*	1	33	Roulement	▲	1
6	Vis	**	1	34	Roulement	▲	1
	<b>Kit de rouleau de mât</b>	<b>MH4VME101G</b>		35	Essieu de roue	▲	1
7	Bague de verrouillage	▲	1	36	Roulement	▲	2
8	Roulement	▲	1	37	Roue	▲	1
9	Rouleau	▲	1	38	Rondelle de sécurité	▲	1
10	Bague de verrouillage	**	8	39	Écrou	▲	1
11	Mât élévateur	*	1		<b>Kit de rouleau de charge</b>	<b>MH4VME910G</b>	
12	Grille de protection (supérieure)	MH4VMD901G	1	40	Rouleau de charge	▲	1
	Grille de protection (inférieure)	MH4VMD902G	1	41	Roulement	▲	2
13	Écrou	**	3	42	Rondelle	▲	2
14	Écrou	**	2	43	Bague de verrouillage	▲	2
15	Boulon en U	**	1	44	Axe de rouleau	▲	1
16	Boulon	**	1	45	Pompe	Voir page 24	1
17	Rondelle de butée	**	8	46	Rondelle de sécurité	**	3
18	Vis	**	8	47	Boulon	**	3
	<b>Kit de frein</b>	<b>MH4VME907G</b>		48	Poignée	Voir page 22	1
19	Goupille cylindrique	▲	1	49	Chaîne	MH4VMD904G	2
20	Pédale	▲	1		<b>Kit de boulon de chaîne</b>	<b>MH4VME912G</b>	
21	Arbre	▲	1	50	Boulon de chaîne	▲	1
22	Came	▲	1	51	Goupille fendue	▲	1
23	Vis	▲	1	52	Écrou	▲	2
24	Plaque de freinage	▲	1	53	Tablier	MH4VME501G	1
25	Ressort	▲	1	54	Boulon	**	4
26	Boulon	▲	1	55	Écrou	**	4
27	Écrou	▲	1	56	Bille en acier	**	4
28	Écrou	▲	1	Δ	<b>Kit d'étiquette de rechange</b>	<b>MH4VME502G</b>	

(▲) Disponible seulement comme partie du kit.

(\*) Non disponible comme pièce détachée.

(\*\*) Article de quincaillerie ordinaire qui n'est pas offert comme pièce de rechange.

(Δ) Non représenté.

**Pour commander des pièces détachées, composer sans frais le  
1-800-323-0620**

**24 heures par jour – 365 jours par an**

Fournir les informations suivantes :

- Numéro de modèle
- Numéro de série (s'il y en a un)
- Description et numéro de pièce comme indiqué sur la liste des pièces

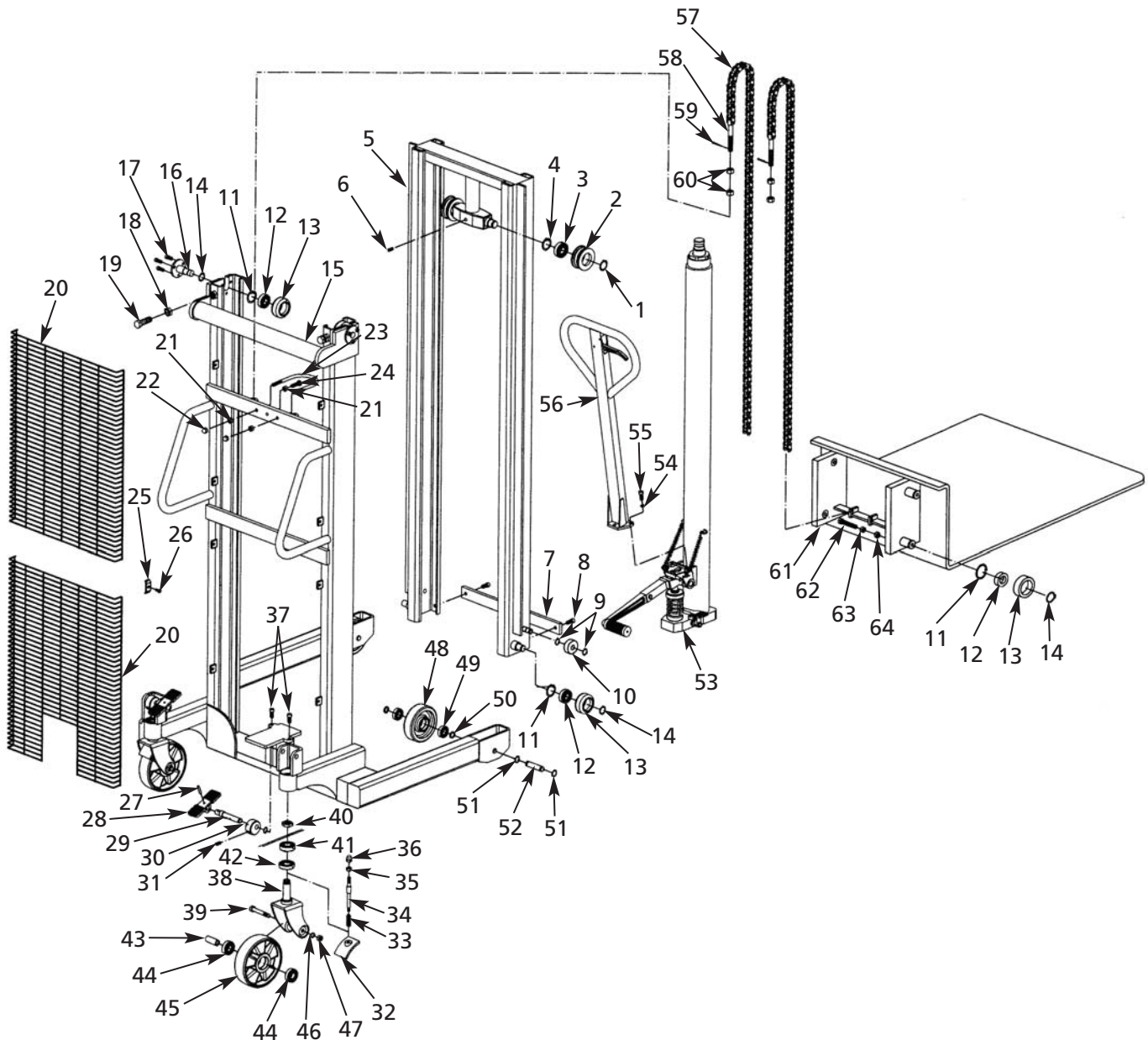


Figure 11 – Illustration des pièces détachées pour élévateur à plate-forme

FRANÇAIS



## Modèles 4VME6 et 4VME7

### Liste des pièces détachées pour élévateur à plate-forme

N° de réf.	Description	N° de pièce	Qté	N° de réf.	Description	N° de pièce	Qté
1	Bague de verrouillage	**	2	31	Vis	▲	1
	<b>Kit de rouleau de chaîne</b>	<b>MH4VME901G</b>		32	Plaque de freinage	▲	1
2	Rouleau de chaîne	▲	1	33	Ressort	▲	1
3	Roulement	▲	1	34	Boulon	▲	1
4	Bague de verrouillage	▲	1	35	Écrou	▲	1
5	Intérieur du mât élévateur	*	1	36	Écrou	▲	1
6	Vis	**	1	37	Boulon	**	2
7	Raccord	*	1		<b>Kit de roulette</b>	<b>MH4VME908G</b>	
8	Vis	**	2	38	Cadre de roulette	▲	1
9	Bague de verrouillage	**	4	39	Vis	▲	1
10	Rouleau	MH4VME902G	2	40	Écrou	▲	1
	<b>Kit de rouleau de mât</b>	<b>MH4VME903G</b>		41	Roulement	▲	1
11	Bague de verrouillage	▲	1	42	Roulement	▲	1
12	Roulement	▲	1	43	Essieu de roue	▲	1
13	Rouleau	▲	1	44	Roulement	▲	2
14	Bague de verrouillage	**	8	45	Roue	▲	1
15	Extérieur du mât élévateur	*	1	46	Rondelle de sécurité	▲	1
16	Arbre à épaulement	MH4VME904G	2	47	Écrou	▲	1
17	Boulon	**	6		<b>Kit de rouleau de charge</b>	<b>MH4VME910G</b>	
18	Écrou	**	2	48	Rouleau de charge	▲	1
19	Boulon	**	2	49	Roulement	▲	2
20	Grille de protection (supérieure) (4VME6)	MH4VME905G	1	50	Rondelle	▲	2
	Grille de protection (supérieure) (4VME7)	MH4VMD901G	1	51	Bague de verrouillage	▲	2
	Grille de protection (inférieure) (4VME6)	MH4VME906G	1	52	Axe de rouleau	▲	1
	Grille de protection (inférieure) (4VME7)	MH4VMD902G	1	53	Pompe	Voir page 24	1
21	Écrou	**	3	54	Rondelle de sécurité	**	3
22	Écrou	**	2	55	Boulon	**	3
23	Boulon en U	**	1	56	Poignée	Voir page 22	1
24	Boulon	**	1	57	Chaîne (4VME6)	MH4VME201G	2
25	Rondelle de butée	**	8		Chaîne (4VME7)	MH4VME301G	2
26	Vis	**	8		<b>Kit de boulon de chaîne</b>	<b>MH4VME912G</b>	
	<b>Kit de frein</b>	<b>MH4VME907G</b>		58	Boulon de chaîne	▲	1
27	Goupille cylindrique	▲	1	59	Goupille fendue	▲	1
28	Pédale	▲	1	60	Écrou	▲	2
29	Arbre	▲	1	61	Tablier	MH4VME601G	1
30	Came	▲	1	62	Boulon	**	4
				63	Écrou	**	4
				64	Bille en acier	**	4
				Δ	<b>Kit d'étiquette de rechange</b>	<b>MH4VME402G</b>	

(▲) Disponible seulement comme partie du kit.

(\*) Non disponible comme pièce détachée.

(\*\*) Article de quincaillerie ordinaire qui n'est pas offert comme pièce de rechange.

(Δ) Non représenté.

**Pour commander des pièces détachées, composer sans frais le  
1-800-323-0620**

**24 heures par jour – 365 jours par an**

Fournir les informations suivantes :

- Numéro de modèle
- Numéro de série (s'il y en a un)
- Description et numéro de pièce comme indiqué sur la liste des pièces

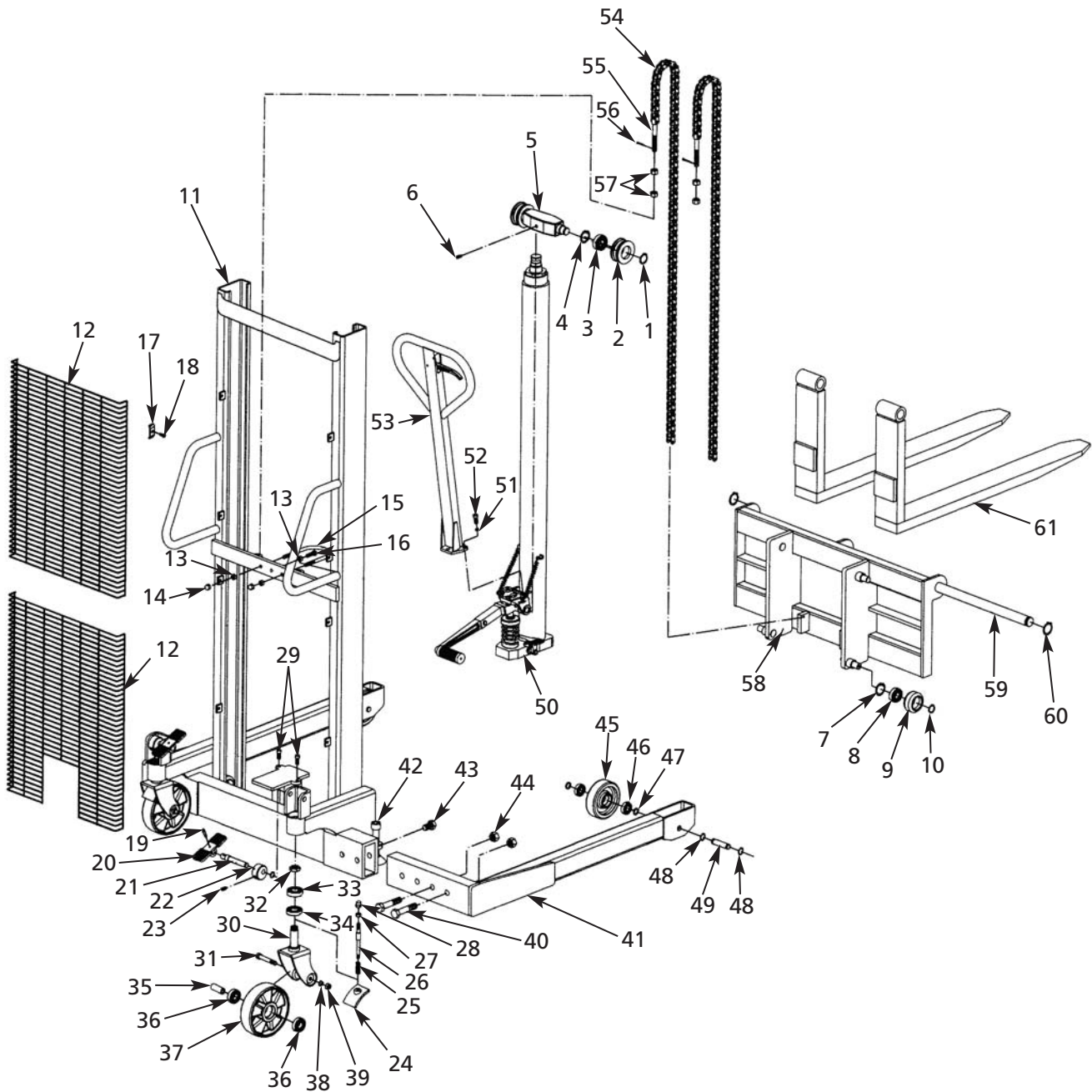


Figure 12 – Illustration des pièces détachées pour élévateur à fourche

FRANÇAIS

# Modèle 4VME8

## Liste des pièces détachées pour élévateur à fourche

N° de réf.	Description	N° de pièce	Qté	N° de réf.	Description	N° de pièce	Qté
1	Bague de verrouillage	**	2	31	Vis	▲	1
	<b>Kit de rouleau de chaîne</b>	<b>MH4VME901G</b>		32	Écrou	▲	1
2	Rouleau de chaîne	▲	1	33	Roulement	▲	1
3	Roulement	▲	1	34	Roulement	▲	1
4	Bague de verrouillage	▲	1	35	Essieu de roue	▲	1
5	Butée de roulement	*	1	36	Roulement	▲	2
6	Vis	**	1	37	Roue	▲	1
	<b>Kit de rouleau de mât</b>	<b>MH4VME801G</b>		38	Rondelle de sécurité	▲	1
7	Bague de verrouillage	▲	1	39	Écrou	▲	1
8	Roulement	▲	1	40	Boulon	**	4
9	Rouleau	▲	1	41	Longeron (droit)	*	1
10	Bague de verrouillage	**	8		Longeron (gauche)	*	1
11	Mât élévateur	*	1	42	Boulon de montage	MH4VME909G	2
12	Grille de protection (supérieure)	MH4VMD901G	1	43	Boulon	**	2
	Grille de protection (inférieure)	MH4VMD902G	1	44	Écrou	**	4
13	Écrou	**	3		<b>Kit de rouleau de charge</b>	<b>MH4VME910G</b>	
14	Écrou	**	2	45	Rouleau de charge	▲	1
15	Boulon en U	**	1	46	Roulement	▲	2
16	Boulon	**	1	47	Rondelle	▲	2
17	Rondelle de butée	**	8	48	Bague de verrouillage	▲	2
18	Vis	**	8	49	Axe de rouleau	▲	1
	<b>Kit de frein</b>	<b>MH4VME907G</b>		50	Pompe	Voir page 24	1
19	Goupille cylindrique	▲	1	51	Rondelle de sécurité	**	3
20	Pédale	▲	1	52	Boulon	**	3
21	Arbre	▲	1	53	Poignée	Voir page 22	1
22	Came	▲	1	54	Chaîne	MH4VME802G	2
23	Vis	▲	1		<b>Kit de boulon de chaîne</b>	<b>MH4VME912G</b>	
24	Plaque de freinage	▲	1	55	Boulon de chaîne	▲	1
25	Ressort	▲	1	56	Goupille fendue	▲	1
26	Boulon	▲	1	57	Écrou	▲	2
27	Écrou	▲	1	58	Tablier	*	1
28	Écrou	▲	1	59	Arbre	MH4VME913G	1
29	Boulon	**	2	60	Bague de verrouillage	**	2
	<b>Kit de roulette</b>	<b>MH4VME908G</b>		61	Fourche	MH4VME914G	2
30	Cadre de roulette	▲	1	Δ	<b>Kit d'étiquette de rechange</b>	<b>MH4VME915G</b>	

(▲) Disponible seulement comme partie du kit.

(\*) Non disponible comme pièce détachée.

(\*\*) Article de quincaillerie ordinaire qui n'est pas offert comme pièce de rechange.

(Δ) Non représenté.

**Pour commander des pièces détachées, composer sans frais le 1-800-323-0620**

**24 heures par jour – 365 jours par an**

Fournir les informations suivantes :

- Numéro de modèle
- Numéro de série (s'il y en a un)
- Description et numéro de pièce comme indiqué sur la liste des pièces

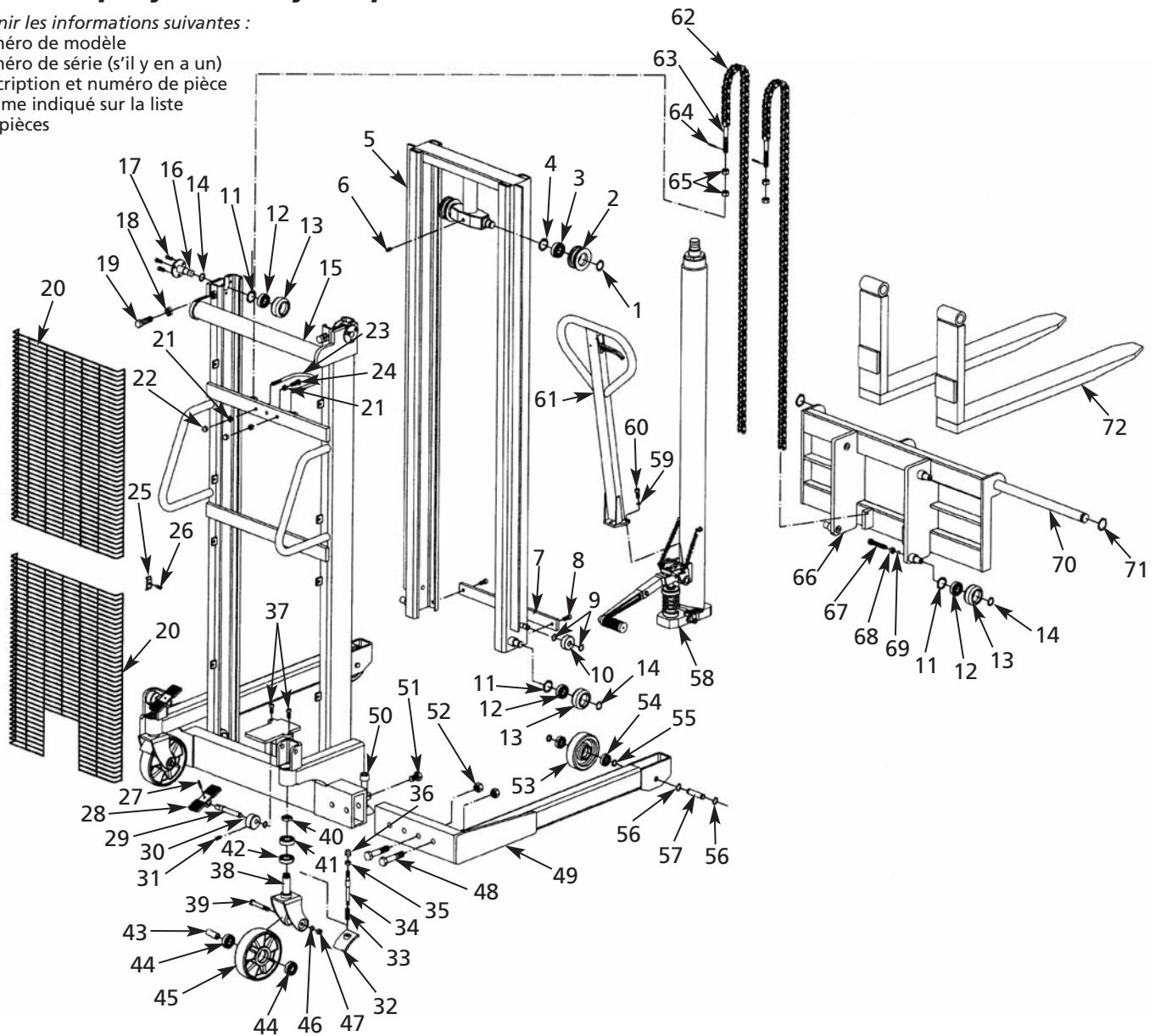


Figure 13 – Illustration des pièces détachées pour élévateur à fourche

**Liste des pièces détachées pour élévateur à fourche**

N° de réf.	Description	N° de pièce	Qté	N° de réf.	Description	N° de pièce	Qté
1	Bague de verrouillage	**	2	5	Intérieur du mât élévateur	*	1
	<b>Kit de rouleau de chaîne</b>	<b>MH4VME901G</b>		6	Vis	**	1
2	Rouleau de chaîne	▲	1	7	Raccord	*	1
3	Roulement	▲	1	8	Vis	**	2
4	Bague de verrouillage	▲	1	9	Bague de verrouillage	**	4

(▲) Disponible seulement comme partie du kit.

(\*) Non disponible comme pièce détachée.

(\*\*) Article de quincaillerie ordinaire qui n'est pas offert comme pièce de rechange.

FRANÇAIS

## Modèles 4VME9 et 4VMF1

### Liste des pièces détachées pour élévateur à fourche (suite)

N° de réf.	Description	N° de pièce	Qté	N° de réf.	Description	N° de pièce	Qté
10	Rouleau <b>Kit de rouleau de mât</b>	MH4VME902G <b>MH4VME903G</b>	2	40	Écrou	▲	1
11	Bague de verrouillage	▲	1	41	Roulement	▲	1
12	Roulement	▲	1	42	Roulement	▲	1
13	Rouleau	▲	1	43	Essieu de roue	▲	1
14	Bague de verrouillage	**	8	44	Roulement	▲	2
15	Extérieur du mât élévateur	*	1	45	Roue	▲	1
16	Arbre à épaulement	MH4VME904G	2	46	Rondelle de sécurité	▲	1
17	Boulon	**	6	47	Écrou	▲	1
18	Écrou	**	2	48	Boulon	**	4
19	Boulon	**	2	49	Longeron (droit)	*	1
20	Grille de protection (supérieure) (4VME9)	MH4VME905G	1		Longeron (gauche)	*	1
	Grille de protection (supérieure) (4VMF1)	MH4VMD901G	1	50	Boulon de montage	MH4VME909G	2
	Grille de protection (inférieure) (4VME9)	MH4VME906G	1	51	Boulon	**	2
	Grille de protection (inférieure) (4VMF1)	MH4VMD902G	1	52	Écrou	**	4
21	Écrou	**	3		<b>Kit de rouleau de charge</b>	<b>MH4VME910G</b>	
22	Écrou	**	2	53	Rouleau de charge	▲	1
23	Boulon en U	**	1	54	Roulement	▲	2
24	Boulon	**	1	55	Rondelle	▲	2
25	Rondelle de butée	**	8	56	Bague de verrouillage	▲	2
26	Vis	**	8	57	Axe de rouleau	▲	1
	<b>Kit de frein</b>	<b>MH4VME907G</b>		58	Pompe	Voir page 24	1
27	Goupille cylindrique	▲	1	59	Rondelle de sécurité	**	3
28	Pédale	▲	1	60	Boulon	**	3
29	Arbre	▲	1	61	Poignée	Voir page 22	1
30	Came	▲	1	62	Chaîne (4VME9)	MH4VME911G	2
31	Vis	▲	1		Chaîne (4VMF1)	MH4VMF101G	2
32	Plaque de freinage	▲	1		<b>Kit de boulon de chaîne</b>	<b>MH4VME912G</b>	
33	Ressort	▲	1	63	Boulon de chaîne	▲	1
34	Boulon	▲	1	64	Goupille fendue	▲	1
35	Écrou	▲	1	65	Écrou	▲	2
36	Écrou	▲	1	66	Tablier	*	1
37	Boulon	**	2	67	Boulon	**	4
	<b>Kit de roulette</b>	<b>MH4VME908G</b>		68	Écrou	**	4
38	Cadre de roulette	▲	1	69	Bille en acier	**	4
39	Vis	▲	1	70	Arbre	MH4VME913G	1
				71	Bague de verrouillage	**	2
				72	Fourche	MH4VME914G	2
				Δ	<b>Kit d'étiquette de rechange</b>	<b>MH4VME915G</b>	

(▲) Disponible seulement comme partie du kit.

(\*) Non disponible comme pièce détachée.

(\*\*) Article de quincaillerie ordinaire qui n'est pas offert comme pièce de rechange.

(Δ) Non représenté.

**Pour commander des pièces détachées, composer sans frais le  
1-800-323-0620**

**24 heures par jour – 365 jours par an**

Fournir les informations suivantes :

- Numéro de modèle
- Numéro de série (s'il y en a un)
- Description et numéro de pièce comme indiqué sur la liste des pièces

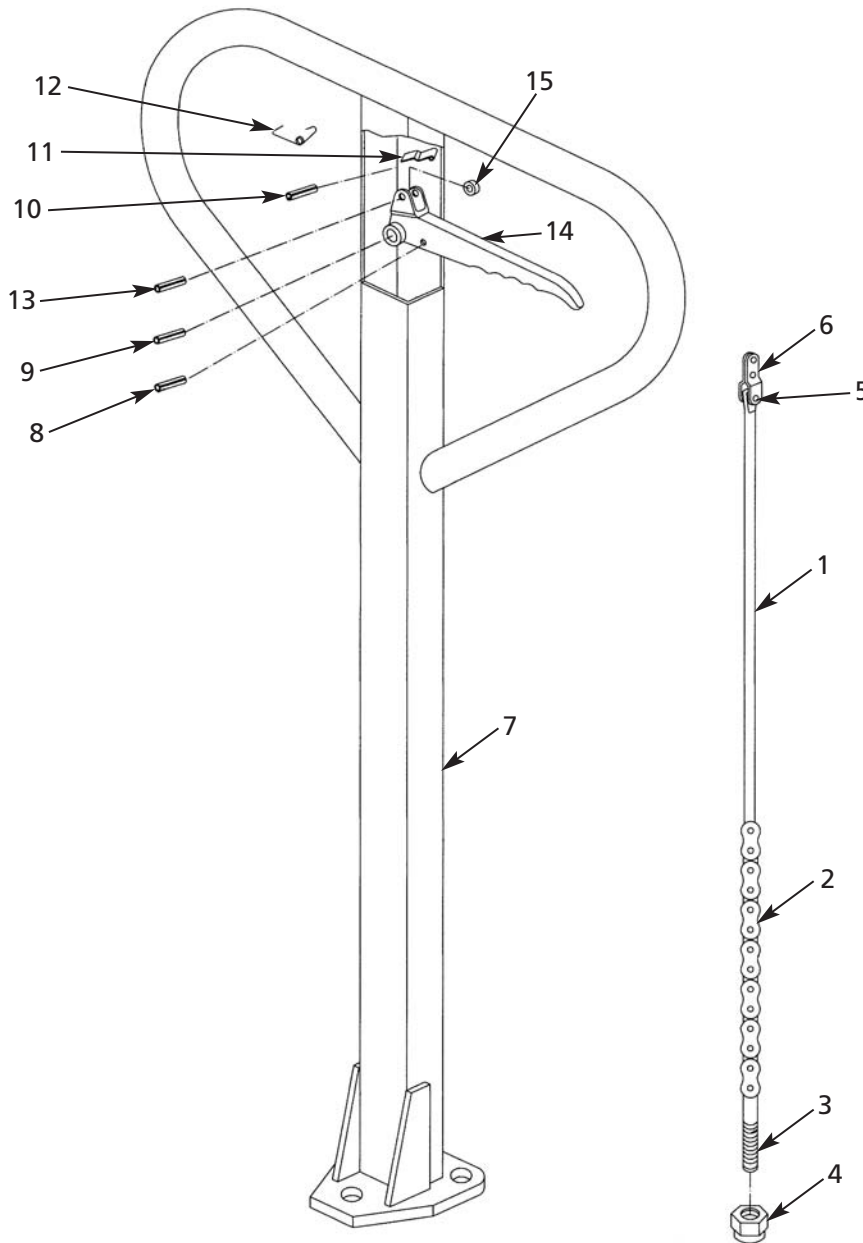


Figure 14 – Illustration des pièces détachées pour la poignée

## Modèles 4VMD9, 4VME1 à 4VME9 et 4VMF1

### Liste des pièces détachées pour la poignée

N° de réf.	Description	N° de pièce	Qté	N° de réf.	Description	N° de pièce	Qté
<b>Kit de chaîne</b>				<b>MH4VME916G</b>			
1	Tringle de rappel	▲	1	9	Goupille cylindrique	MHG112G	4
2	Chaîne	▲	1	10	Goupille cylindrique	MHG115G	1
3	Boulon de réglage	▲	1	11	Ressort à lame	MHG113G	1
4	Écrou de réglage	▲	1	12	Ressort	MHG114G	1
<hr/>				<b>Kit de levier de commande</b>			
5	Goupille	▲	1	13	Goupille cylindrique	▲	1
6	Plaquette de tirage	▲	1	14	Levier de commande	▲	1
7	Poignée	MH4VME917G	1	15	Rouleau	▲	1
8	Goupille cylindrique	MHG116G	1				

(▲) Disponible seulement comme partie du kit.

**Pour commander des pièces détachées, composer sans frais le  
1-800-323-0620**

**24 heures par jour – 365 jours par an**

Fournir les informations suivantes :

- Numéro de modèle
- Numéro de série (s'il y en a un)
- Description et numéro de pièce comme indiqué sur la liste des pièces

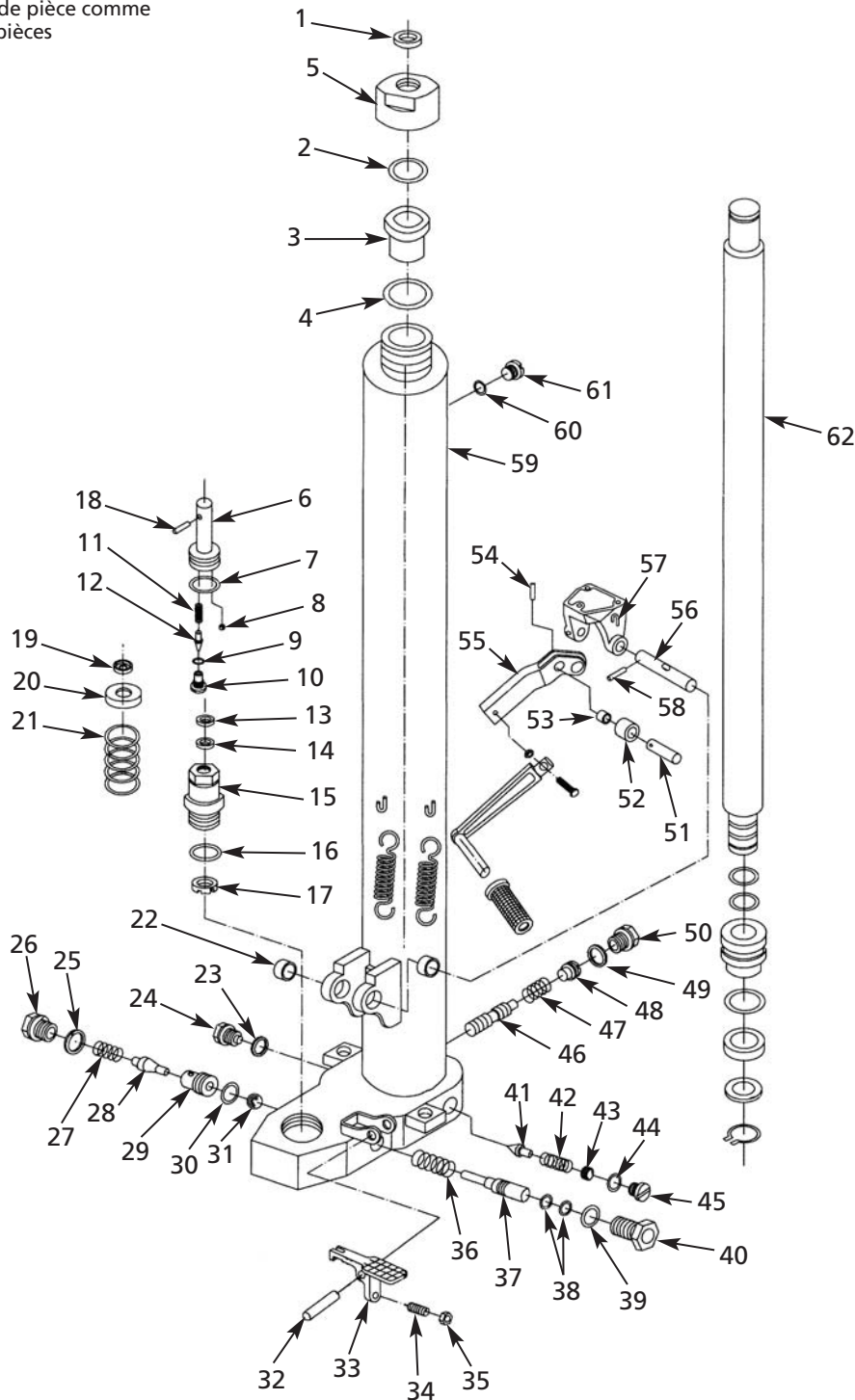


Figure 15A – Illustration des pièces détachées pour la pompe

FRANÇAIS



# Modèles 4VMD9, 4VME1 à 4VME9 et 4VMF1

## Liste des pièces détachées pour la pompe

N° de réf.	Description	N° de pièce	Qté	N° de réf.	Description	N° de pièce	Qté
<b>Kit d'étanchéité supérieur MH4VME918G</b>				<b>Kit de plaquette de levier MH4VME925G</b>			
1	Joint protecteur	▲	1	33	Plaquette de levier	▲	1
2	Joint torique	▲	1	34	Vis de pression	▲	1
3	Manchon	▲	1	35	Écrou	▲	1
4	Rondelle d'étanchéité	▲	1	<b>Kit de vanne de dégagement MH4VME926G</b>			
5	Chapeau de vérin	*	1	36	Ressort	▲	1
<b>Kit de piston de pompe MH4VME919G</b>				37	Broche vanne de dégagement	▲	1
6	Tige de piston de pompe	▲	1	38	Joint torique	▲	1
7	Joint torique	▲	1	39	Joint torique	▲	1
8	Bille en acier	▲	1	40	Boulon	▲	1
9	Joint torique	▲	1	<b>Kit de soupape de sécurité MH4VME927G</b>			
10	Vis	▲	1	41	Fusée de soupape de sécurité	▲	1
11	Tige de soupape	▲	1	42	Ressort	▲	1
12	Chapeau à broches	▲	1	43	Vis de réglage	▲	1
<b>Kit de vérin de pompe MH4VME920G</b>				44	Joint torique	▲	1
13	Joint protecteur	▲	1	45	Boulon	▲	1
14	Joint statique	▲	1	<b>Kit de vanne de réglage MH4VME928G</b>			
15	Vérin de pompe	▲	1	<b>de vitesse</b>			
16	Joint torique	▲	1	46	Broche de réglage	▲	1
17	Rondelle	▲	1	47	Ressort	▲	1
<b>Kit de ressort de pompe MH4VME921G</b>				48	Vis de réglage	▲	1
18	Goupille	▲	1	49	Rondelle d'étanchéité	▲	1
19	Chapeau à broches	▲	1	50	Boulon	▲	1
20	Chapeau à ressort	▲	1	<b>Kit de levier de pédale MH4VME929G</b>			
21	Ressort	▲	1	51	Axe de roulement	▲	1
22	Douille	MH4VME922G	1	52	Rouleau presseur	▲	1
<b>Kit de bouchon de vidange MH4VME923G</b>				53	Douille	▲	1
23	Rondelle d'étanchéité	▲	1	54	Goupille cylindrique	▲	1
24	Bouchon	▲	1	55	Levier de pédale	▲	1
<b>Kit de vanne hydraulique MH4VME924G</b>				56	Arbre goupille	MH4VME930G	1
25	Rondelle d'étanchéité	▲	1	57	Support	MH4VME931G	1
26	Boulon	▲	1	58	Goupille cylindrique	**	1
27	Ressort	▲	1	59	Corps de pompe	*	1
28	Fusée de vanne de pompe	▲	1	<b>Kit de bouchon de remplissage MH4VME932G</b>			
29	Siège de vanne de pompe	▲	1	60	Rondelle d'étanchéité	▲	1
30	Joint torique	▲	1	61	Bouchon	▲	1
31	Bille en acier	▲	1	62	Tige de piston	*	1
32	Goupille cylindrique	**	1				

(▲) Disponible seulement comme partie du kit.

(\*) Non disponible comme pièce détachée.

(\*\*) Article de quincaillerie ordinaire qui n'est pas offert comme pièce de rechange.

**Pour commander des pièces détachées, composer sans frais le  
1-800-323-0620**

**24 heures par jour – 365 jours par an**

Fournir les informations suivantes :

- Numéro de modèle
- Numéro de série (s'il y en a un)
- Description et numéro de pièce comme indiqué sur la liste des pièces

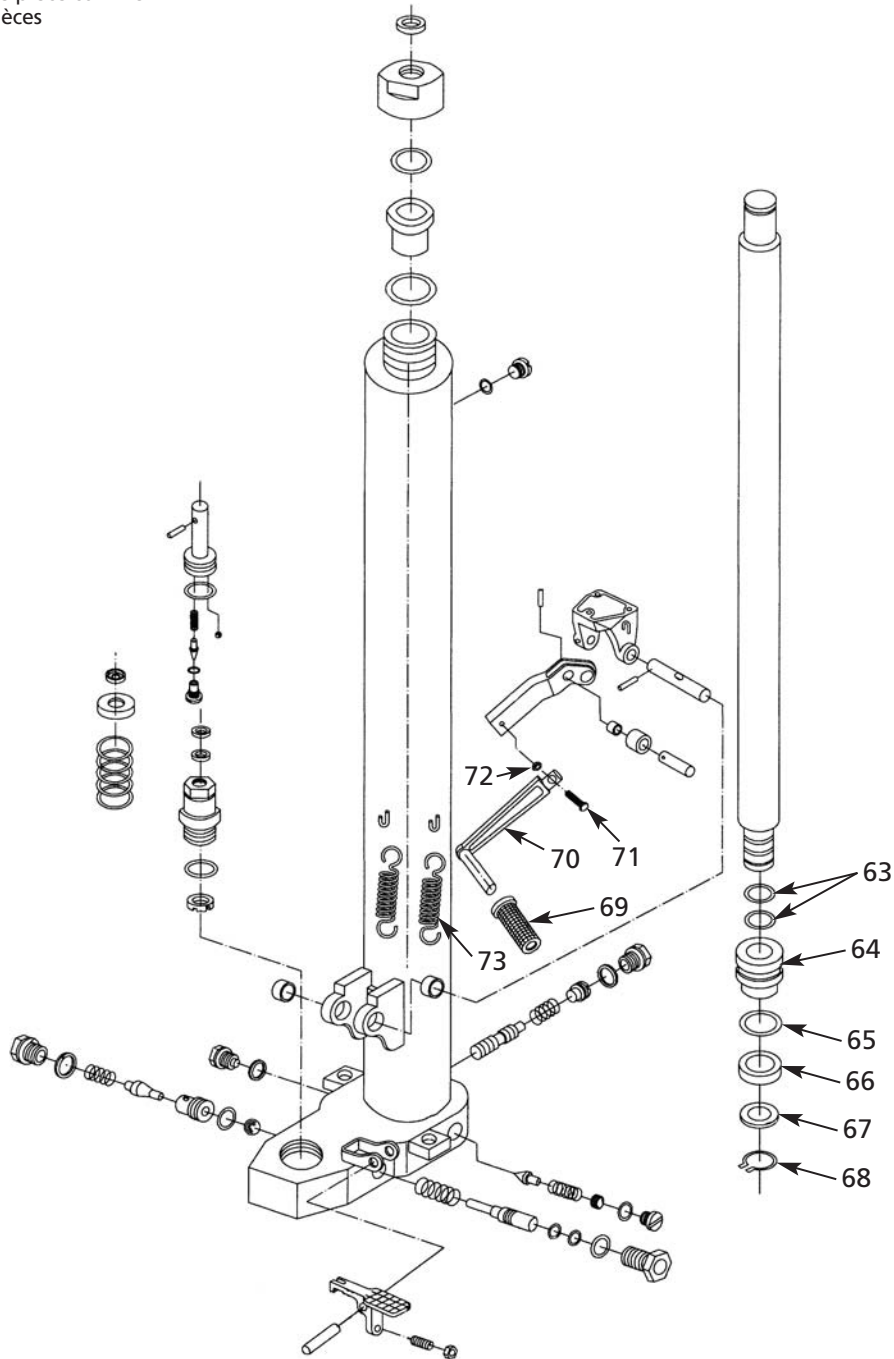


Figure 15B – Illustration des pièces détachées pour la pompe (suite)

FRANÇAIS

## Modèles 4VMD9, 4VME1 à 4VME9 et 4VMF1

### Liste des pièces détachées pour la pompe (suite)

N° de réf.	Description	N° de pièce	Qté	N° de réf.	Description	N° de pièce	Qté
<b>Kit de piston</b>				<b>Kit de pédale</b>			
<b>MH4VME933G</b>				<b>MH4VME934G</b>			
63	Joint torique	▲	2	69	Levier de pédale	▲	1
64	Piston	▲	1	70	Manchon en caoutchouc	▲	1
65	Joint torique	▲	1	71	Boulon	**	1
66	Joint statique	▲	1	72	Écrou	**	1
67	Rondelle	▲	1	73	Ressort	MH4VME935G	2
68	Bague de verrouillage	▲	1				

(▲) Disponible seulement comme partie du kit.

(\*) Non disponible comme pièce détachée.

(\*\*) Article de quincaillerie ordinaire qui n'est pas offert comme pièce de rechange.

# Élévateurs à fourche et plate-forme Dayton®

## GARANTIE LIMITÉE

**GARANTIE LIMITÉE D'UN AN FOURNIE PAR DAYTON.** LES MODÈLES D'ÉLÉVATEURS À FOURCHE ET À PLATE-FORME DAYTON® COUVERTS DANS CE MANUEL SONT GARANTIS PAR DAYTON ELECTRIC MFG.CO. AU PREMIER UTILISATEUR CONTRE TOUT DÉFAUT DE FABRICATION OU DE MATÉRIAU DANS DES CONDITIONS D'UTILISATION NORMALES DURANT UN AN À COMPTER DE LA DATE D'ACHAT. TOUTE PIÈCE PRÉSENTANT, SELON DAYTON, DES DÉFAUTS DE FABRICATION OU DE MATÉRIAU ET RETOURNÉE À UN CENTRE DE SERVICE AGRÉÉ DÉSIGNÉ PAR DAYTON, PORT PAYÉ, SERA RÉPARÉE OU REMPLACÉE AU CHOIX DE DAYTON, À TITRE DE RECOURS EXCLUSIF. VOIR LES PROCÉDURES DE RÉCLAMATIONS SOUS GARANTIE SOUS LA RUBRIQUE « PROMPT RÈGLEMENT », CI-APRÈS. LA PRÉSENTE GARANTIE DONNE AUX ACHETEURS DES DROITS SPÉCIFIQUES QUI VARIENT SELON LES JURIDICTIONS.

**LIMITES DE RESPONSABILITÉ.** DANS LA MESURE PERMISE AU TITRE DE LA LOI APPLICABLE, DAYTON DÉCLINE EXPRESSÉMENT TOUTE RESPONSABILITÉ POUR TOUT DOMMAGE ACCESSOIRE ET INDIRECT. LA RESPONSABILITÉ DE DAYTON EST DANS TOUS LES CAS LIMITÉE ET NE SAURAIT DÉPASSER LE PRIX D'ACHAT.

**CLAUSE D'EXONÉRATION DE GARANTIE.** DAYTON S'EST DILIGEMMENT EFFORCÉE D'ILLUSTRER ET DE DÉCRIRE DE MANIÈRE EXACTE LES PRODUITS DE CETTE BROCHURE. CEPENDANT, CES ILLUSTRATIONS ET CES DESCRIPTIONS NE SONT DONNÉES QU'À TITRE D'IDENTIFICATION ET NE GARANTISSENT PAS EXPRESSÉMENT OU IMPLICITEMENT QUE LES PRODUITS SONT DE QUALITÉ MARCHANDE OU ADAPTÉS À UN USAGE PARTICULIER, OU QU'ILS SERONT NÉCESSAIREMENT CONFORMES AUX ILLUSTRATIONS OU AUX DESCRIPTIONS FOURNIES. SAUF DISPOSITIONS CONTRAIRES CI-DESSOUS, AUCUNE GARANTIE OU AFFIRMATION DE FAIT, EXPRESSE OU IMPLICITE, AUTRE QUE CELLE ÉNONCÉE À LA RUBRIQUE « GARANTIE LIMITÉE » CI-DESSUS, N'EST FOURNIE OU AUTORISÉE PAR DAYTON.

**Conseils et recommandations techniques; clause d'exonération.** Nonobstant toute pratique ou action commerciale ayant eu cours dans le passé ou toute coutume du secteur d'activité, les ventes n'incluront pas la fourniture de conseils en matière de conception de système ou de résolution de problèmes techniques. Dayton n'assume aucune obligation ni responsabilité en ce qui concerne les recommandations, opinions ou conseils non autorisés relatifs au choix, à l'installation ou à l'utilisation des produits.

**Adéquation du produit.** Dans de nombreuses juridictions, les codes et les réglementations qui régissent les ventes, la construction, l'installation et/ou l'utilisation de produits pour certains usages peuvent être différents de ceux de régions avoisinantes. Bien que Dayton se soit efforcée de rendre ses produits conformes à ces codes, la société ne peut en garantir la conformité et ne saurait être responsable de la manière dont les produits sont installés ou utilisés. Avant d'acheter et d'utiliser un produit, il est conseillé d'étudier son application ainsi que les codes et réglementations nationaux et locaux, et de s'assurer de la conformité à ces codes de ces produits, de leur installation et de leur utilisation.

Certains aspects des dénis de garantie ne sont pas applicables aux produits de consommation. par exemple (a) certaines juridictions n'autorisent pas l'exclusion ou la limitation des dommages accessoires ou indirects, de sorte que la limitation ou l'exclusion susmentionnée peut ne pas s'appliquer à votre cas; (b) en outre, certaines juridictions n'autorisent pas de limite sur la durée d'une garantie implicite, par conséquent la limite susmentionnée peut ne pas s'appliquer à votre cas; et (c) en vertu de la loi, durant la période de garantie limitée, toute garantie implicite de qualité marchande ou d'adéquation à un usage particulier applicable aux produits de consommation achetés par des consommateurs, est susceptible de ne pas pouvoir être exclue ou autrement déniée.

**Prompt règlement.** Dayton s'efforcera en toute bonne foi de faire les rectifications ou autres ajustements prévus pour tout produit qui s'avère défectueux durant la période de garantie limitée. Pour tout produit jugé défectueux durant la période de garantie limitée, contacter tout d'abord le concessionnaire où l'appareil a été acheté. Le concessionnaire fournira des instructions supplémentaires. S'il est impossible de résoudre le problème de façon satisfaisante, écrire à Dayton à l'adresse ci-dessous, en indiquant le nom et l'adresse du concessionnaire, la date et le numéro de la facture du concessionnaire, ainsi que la nature du défaut constaté. Le titre et le risque de perte passent à l'acheteur au moment de la livraison par le transporteur. Si le produit a été endommagé pendant le transport, une réclamation doit être faite auprès du transporteur.

**Fabriqué pour Dayton Electric Mfg. Co., 5959 W. Howard St., Niles, Illinois 60714-4014 États-Unis**