

F-160 SERIES

Variable Stroke Straight Line Action Clamps | Technical Information | Dimensions

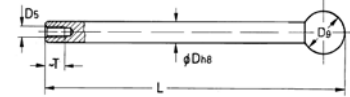


Technical features:

- High holding capacity of [4040 lbf] 18000N lbs.
- High side load capacity
- Plunger guide
- Wiper ring avoiding contamination of clamping mechanism
- Block style base provides for variable mounting
- Low weight due to the aluminium housing
- 50 mm horizontal and vertical hole pattern

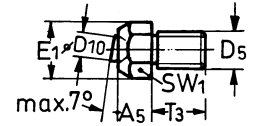
Accessories (order separately)

Plunger



Part no.	For rapid stroke S	D _{H8}	D ₅	D ₉	L ~	T ~	Weight ~ [lbs.] kg
16/100	100	16	M8	35	253	15	[0.90] 0,4
16/200	200	16	M8	35	353	15	[1.10] 0,5
16/300*	300	16	M8	35	453	15	[1.54] 0,7

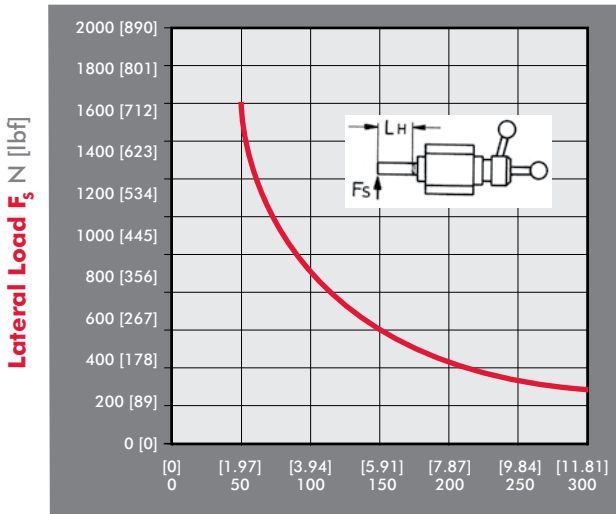
*400 and 500 mm strokes available on request



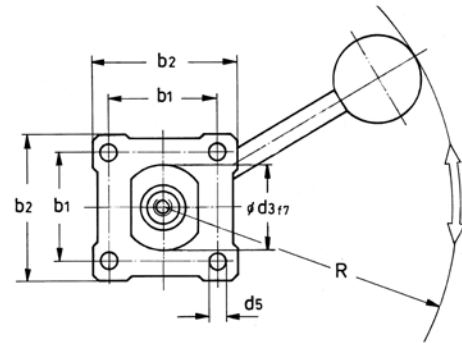
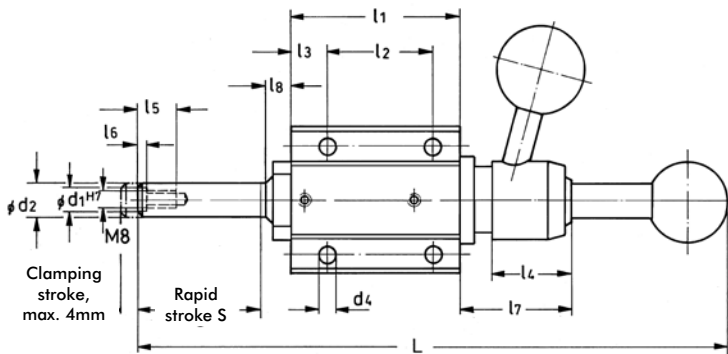
Swivel thrust pad

Part no.	Use with plunger diameter	A ₅	D ₅	D ₁₀	E ₁	T ₃	SW ₁
K-508	8	6	M5	5	9,2	8	8
K-612	12	8,5	M6	6	12,5	10	11
K-816	16	10	M8	8	14,8	14	13
K-1222	22	12	M12	9,5	19,5	18	17

Allowable side load F_s depending on the stroke length L_H



Stroke Length L_H mm [in]



Part no. without plunger	Max. holding cap. [lbs.] N	F _s * [lbs.] N	~L																Weight ~ [lbs.] kg			
			b ₁	b ₂	For rapid strokes:			11	12	13	14	15	16	17	18	d ₁ ^{H7}	d ₂ ^{H8}	d ₃		d ₄	d ₅	R
F-160	[4040] 18000N	[1124] 5000N	50	68	250	350	451	80	50	18	35	20	2	50	12	10	16	40	8,3	8,5	165	[3.30] 1,5

*F_s=exerting force at an operating force of [22lbf] 100N.

