

Custom Work Platforms

Dimensions - Weight - Prices

Style	# of Steps*	Dimensions (inches)						EGA#	Lead Time Days	Weight
		OAW	OAL	OAH	PW	PL	PH			
0	n/a	39	39	21	35	39	21	CW0-21-0-3	5	100
0	n/a	39	39	27	35	39	27	CW0-27-0-3	5	115
0	n/a	39	39	33	35	39	33	CW0-33-0-3	5	115
0	n/a	39	39	39	35	39	39	CW0-39-0-3	5	115
0	n/a	39	39	45	35	39	45	CW0-45-0-3	5	115
1	2	39	48	21	35	39	21	CW1-21-2-3	5	120
1	2	39	86	21	35	77	21	CW1-21-2-6	5	187
1	3	39	57	33	35	39	33	CW1-33-3-3	5	140
1	3	39	95	33	35	77	33	CW1-33-3-6	5	230
2	2	39	48	60	35	39	21	CW2-21-2-3	5	150
2	2	39	86	60	35	77	21	CW2-21-2-6	5	235
3	2	39	57	60	35	39	21	CW3-21-2-3	5	150
3	2	39	95	60	35	77	21	CW3-21-2-6	5	225
4	2	39	48	60	35	39	21	CW4-21-2-3	5	145
4	2	39	86	60	35	77	21	CW4-21-2-6	5	225
5	3	39	57	66	35	39	27	CW5-27-3-3	5	185
5	3	39	95	66	35	77	27	CW5-27-3-6	5	285
5	3	39	57	72	35	39	33	CW5-33-3-3	5	185
5	3	39	95	72	35	77	33	CW5-33-3-6	5	290
6	3	39	75	72	35	39	33	CW6-33-3-3	5	207
6	3	39	113	72	35	77	33	CW6-33-3-6	5	290
6	4	39	93	84	35	39	45	CW6-45-4-3	5	245
6	4	39	131	84	35	77	45	CW6-45-4-6	5	335
7	3	39	57	66	35	39	27	CW7-27-3-3	5	180
7	3	39	95	66	35	77	27	CW7-27-3-6	5	260
7	3	39	57	72	35	39	33	CW7-33-3-3	5	175
7	3	39	95	72	35	77	33	CW7-33-3-6	5	265
7	4	39	66	84	35	39	45	CW7-45-4-3	5	200
7	4	39	104	84	35	77	45	CW7-45-4-6	5	290
8	4	39	66	78	35	39	39	CW8-39-4-3	5	205
8	4	39	104	78	35	77	39	CW8-39-4-6	5	310
8	4	39	66	84	35	39	45	CW8-45-4-3	5	205
8	4	39	104	84	35	77	45	CW8-45-4-6	5	310
9	3	39	75	72	35	39	33	CW9-33-3-3	5	235
9	3	39	113	72	35	77	33	CW9-33-3-6	5	340

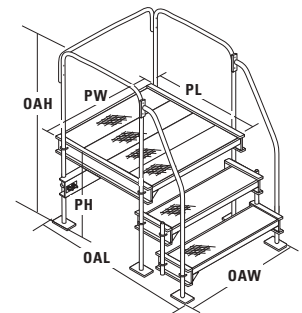


Chart Key
OAW = Overall Width
OAL = Overall Length
OAH = Overall Height
PW = Platform Width
PL = Platform Length
PH = Platform Height

Shipping Info
Starting Zip
28115

* # of steps is # of risers to top of platform. # of step treads is actually one less than riser.