

Master Puller Sets include a hydraulic puller, cylinder, a pump with hose and gauge for standard pulling applications, as well as a selection of accessories designed for work environments where clearance prevents a direct application of the puller jaws.



Lock-Grip Pullers:

All sets come with a hydraulic LGH-Series Puller. Both two jaw and three jaw versions are available.



Detachable Hollow Cylinder:

Provided with all hydraulic pullers as well as the Cross Bearing Puller.



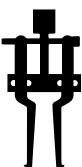
Pump with Hose and Gauge:

Hydraulic Puller Sets and Master Puller Sets are supplied with a hose, gauge, and your choice of a hand, air, electric or battery-powered cordless pump.



Cross Puller:

Hydraulically powered via a detachable hydraulic cylinder and pump. The Cross Puller can be used individually as a 'push' puller, or in conjunction with the Bearing Separator or Bearing Cup Puller.



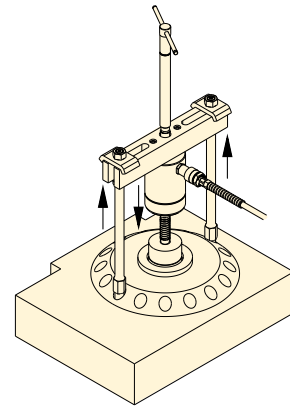
Bearing-Cup Puller:

Specifically designed to pull cup style bearings and other applications requiring an internal style puller.

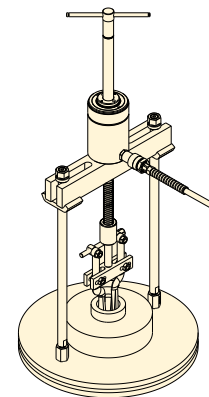


Bearing Separator (used with Cross Bearing Puller):

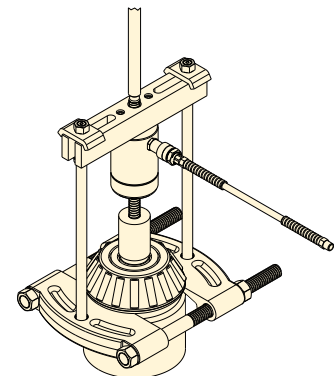
Features narrow edges, which enable puller to be placed behind hard to reach bearings, gears, etc., where limited clearance prevents the direct application of puller arms.



▲ Cross Bearing puller on application



▲ Cross Bearing Puller with Bearing Cup Puller on application



▲ Cross Bearing Puller with Bearing Separator on application

▼ DIMENSIONAL INFORMATION

Model Number	Cross Bearing Puller (mm)				(kg) *
	A	B min.	Thread Size C		
BHP112	280	115	5/8"-18 UNF		2,0
BHP172	280	115	5/8"-18 UNF		2,1
BHP272	370	140	5/8"-18 UNF		2,4
BHP672	615	220	1 1/4"-12 UNF		6,4

Model Number	Bearing Separator (mm)					(kg)
	A	B min.	B max.	Thread Size C		
BHP181	110	10	110	5/8"-18 UNF		2,8
BHP282	156	12	134	5/8"-18 UNF		5,7
BHP292	182	13	210	5/8"-18 UNF		12,5
BHP682	300	20	300	1 1/4"-12 UNF		43,5

Model Number	Bearing Cup Puller (mm)					(kg)
	A	B	C min.	C max.		
BHP180	135	236	40	145		2,0
BHP190	164	265	40	145		2,0
BHP280	164	265	40	145		2,4
BHP580	150	310	60	240		6,4

* With slotted crosshead, cylinder and spindle.