

Back-Up Spanner for Torque Wrenches

▼ BUS03 Back-Up Spanner (safety cable not shown)



- Hands free solution – improves operator safety
- Eliminates the need for flogging spanners
- Speeds up the bolting process
- Includes safety cable with quick-connect carabiner's, stainless steel tethers and secure Allen-key fixings
- Won't lock on during operations
- Spark free
- Two hexagon sizes in one tool

▼ SELECTION CHART BACK-UP SPANNERS

Hexagon Sizes (A/F)		Model Number	Dimensions (in)				Wt. (lb)
S1 to S2 (in)	S1 to S2 (mm)		A	B	C	D	
1 1/16 - 1 1/4"	27 - 32	BUS 01	2.0	3.9	0.6	M8	0.7
1 7/16 - 1 5/8"	36 - 41	BUS 02	2.4	4.7	0.6	M8	0.9
1 13/16 - 2"	46 - 50	BUS 03	3.0	5.6	0.8	M8	1.3
2 3/16 - 2 3/8"	55 - 60	BUS 04	3.5	6.5	0.8	M12	1.8
2 9/16 - 2 3/4"	65 - 70	BUS 05	3.9	7.5	1.0	M16	2.2
2 15/16 - 3 1/8"	75 - 80	BUS 06	4.4	8.4	1.0	M16	2.9
3 1/2 - 3 7/8"	-	BUS 07	5.3	10.1	1.2	M20	4.9
4 1/4 - 4 5/8"	-	BUS 08	6.4	12.2	1.2	M20	7.3
-	85 - 90	BUS 09	5.0	9.5	1.0	M16	3.7
3 3/4 - 3 15/16"	95 - 100	BUS 10	5.4	10.5	1.2	M20	5.1
4 1/8 - 4 15/16"	105 - 110	BUS 11	6.0	11.7	1.2	M20	6.8
-	115 - 120	BUS 12	6.5	12.6	1.2	M20	7.7

BUS Series

Hexagon Sizes (A/F):

1 1/16 - 4 15/16 inch

Hexagon Sizes (A/F):

27 - 120 mm

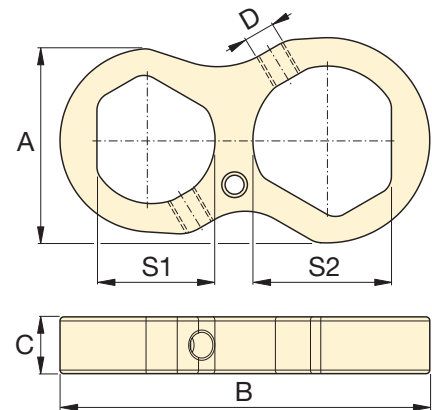


Back-Up Spanners

Hands free operation of a hydraulic torque wrench improves the safety of the operator significantly.

Enerpac Back-Up Spanners are a hands-free tool that eliminates the need to use a flogging spanner as a backing tool.

The Back-Up Spanners have been specifically designed to prevent them from locking onto the nut during bolt torquing operations. They fit easily onto the back nut and prevent it from turning during make up or break out of bolted joints.



▼ Enerpac Back-Up Spanners to be used to stop back nut from turning during make up or break out.

