

▼ TWMP503



## TWMP503, Torque Wrench Moly Paste

- Enerpac 503 Moly Paste reduces friction on threaded fasteners – bolts, nuts and studs
- The low and uniform friction coefficient of 0.06 (torque coefficient, K, of 0.11) creates reliable assembly conditions
- This lubricant stays in place through heat, load and vibration to ensure trouble-free disassembly from -20 °F to 750 °F (-29 °C to 400 °C)
- 4 lbs. (1,8 kg) container

for  
**RSL Series**

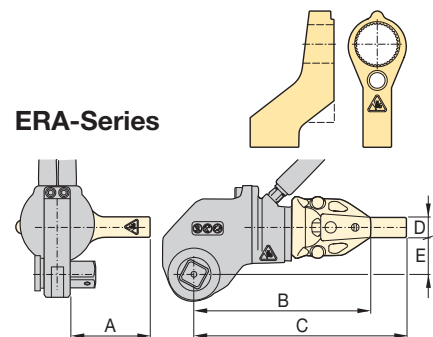


## ERA-Series, Extended Reaction Arms

| For Torque Wrench Model No. | Model Number | Dimensions (in) |       |       |      |      | (lbs) |
|-----------------------------|--------------|-----------------|-------|-------|------|------|-------|
|                             |              | A               | B     | C     | D    | E    |       |
| RSL1500                     | ERA15114     | 3.42            | 5.71  | 7.68  | 1.14 | 1.42 | 1.98  |
|                             | ERA15228     | 4.45            | 7.13  | 9.06  | 1.14 | 1.42 | 3.97  |
|                             | ERA15342     | 5.47            | 8.90  | 10.87 | 1.14 | 1.42 | 5.95  |
|                             | ERA15456     | 6.46            | 9.29  | 11.26 | 1.14 | 1.42 | 7.94  |
| RSL3000                     | ERA15570     | 7.44            | 11.30 | 13.27 | 1.14 | 1.42 | 9.92  |
|                             | ERA30114     | 4.13            | 7.68  | 10.12 | 1.34 | 1.61 | 5.95  |
|                             | ERA30228     | 5.16            | 9.09  | 11.54 | 1.34 | 1.61 | 7.94  |
|                             | ERA30342     | 6.14            | 10.47 | 12.91 | 1.34 | 1.61 | 9.92  |
| RSL5000                     | ERA30456     | 7.13            | 11.89 | 14.66 | 1.34 | 1.61 | 11.90 |
|                             | ERA50114     | 5.16            | 8.19  | 11.18 | 1.73 | 1.89 | 9.04  |
|                             | ERA50228     | 6.14            | 9.57  | 12.60 | 1.73 | 1.89 | 11.02 |
|                             | ERA50342     | 7.13            | 10.98 | 13.98 | 1.73 | 1.89 | 13.01 |
| RSL11000                    | ERA50456     | 8.15            | 12.37 | 15.39 | 1.73 | 1.89 | 15.00 |
|                             | ERA110114    | 4.92            | 8.62  | 11.65 | 2.01 | 2.32 | 13.89 |
|                             | ERA110228    | 5.91            | 10.04 | 13.06 | 2.01 | 2.32 | 16.09 |
|                             | ERA110342    | 6.93            | 11.46 | 14.45 | 2.01 | 2.32 | 18.08 |
| RSL28000                    | ERA110456    | 7.91            | 12.83 | 15.83 | 2.01 | 2.32 | 20.06 |
|                             | ERA280228    | 6.73            | 13.19 | 16.18 | 2.24 | 3.50 | 24.91 |
|                             | ERA280342    | 7.76            | 14.57 | 17.60 | 2.24 | 3.50 | 30.00 |

NOTE: Extended Reaction Arms for RSL8000 and RSL19000 are available on request.

- Only to be used on RSL-drive units with RSQ-square drive wrenches
- Used in place of standard reaction arm
- Lightweight interchangeable design
- Full torque rated



## ERT-Series, Extended Reaction Tubes

| For Torque Wrench Model No. | Model Number | Dimensions (in) |       |      | (lbs) |
|-----------------------------|--------------|-----------------|-------|------|-------|
|                             |              | A               | B     | Ø C  |       |
| RSL1500                     | ERT152       | 6.18            | 2.01  | 2.24 | 1.98  |
|                             | ERT156       | 10.20           | 5.98  | 2.24 | 3.53  |
|                             | ERT159       | 13.19           | 9.02  | 2.24 | 5.51  |
|                             | ERT1512      | 16.18           | 12.01 | 2.24 | 7.50  |
|                             | ERT1524      | 28.19           | 24.02 | 2.24 | 14.78 |
| RSL3000                     | ERT3012      | 16.89           | 12.01 | 2.76 | 6.61  |
|                             | ERT3024      | 28.90           | 24.02 | 2.76 | 13.01 |
| RSL5000                     | ERT5012      | 17.76           | 12.01 | 3.50 | 12.35 |
|                             | ERT5024      | 29.76           | 24.02 | 3.50 | 24.91 |
| RSL11000                    | ERT1106      | 12.99           | 5.98  | 3.74 | 4.63  |
|                             | ERT11012     | 19.02           | 12.01 | 3.74 | 9.04  |
|                             | ERT11018     | 25.00           | 17.99 | 3.74 | 13.45 |
|                             | ERT11024     | 30.98           | 24.02 | 3.74 | 18.52 |
| RSL19000                    | ERT19024     | 31.50           | 24.02 | 5    | 36.82 |
| RSL28000                    | ERT2806      | 13.82           | 5.98  | 5    | 7.94  |
|                             | ERT28012     | 19.80           | 12.01 | 5    | 16.09 |
|                             | ERT28018     | 25.79           | 17.99 | 5    | 24.03 |
|                             | ERT28024     | 31.81           | 24.02 | 5    | 36.60 |

NOTE: Extended Reaction Tubes for RSL8000 are available on request.

- Only to be used on RSL-drive units with RLP-hexagon cassettes
- Used in place of standard reaction arm
- One-piece steel design, durable and simple
- Increases tool fit in restricted access areas
- Full torque rated

