

# Single-Acting Hydraulic Nut Splitters



## Frozen or Corroded Nuts

Often nuts are difficult to remove, while loosening using tightening tools is possible, it generally requires larger equipment and is time consuming.

The use of cutting torches or hammers and chisels can cause damage to the joint components, requires significantly longer setup and operational time, and can present a potential safety risk.

## Hydraulic Nut Cutters

Nut splitting with the Enerpac Hydraulic Nut Cutters is the safest method. It takes less time and avoids costly damage to joint components. The head design fitted with heavy-duty chisels permits the splitting of nuts on a wide variety of applications. With the two blade models nuts are split from two sides in one action.

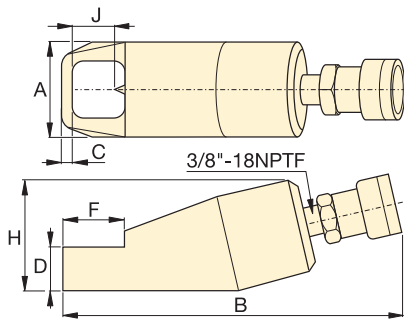
## NC, STN Series



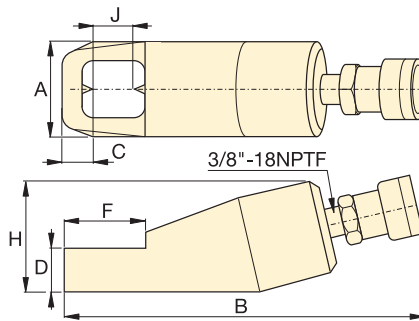
Capacity:  
**5-90 tons**

Bolt Range:  
**0.31-2.88 inches**

Maximum Operating Pressure:  
**10,000 psi**



Single Blade Models (NC)



Double Blade Models (NC-D)

For Nut Splitter Model No.	Replacement Chisel Model Number	
	Moving	Static
NC-1319	<b>NCB-1319</b>	—
NC-1924	<b>NCB-1924</b>	—
NC-2432	<b>NCB-2432</b>	—
NC-3241	<b>NCB-3241</b>	—
NC-4150	<b>NCB-4150</b>	—
NC-5060	<b>NCB-5060</b>	—
NC-6075	<b>NCB-6075</b>	—
NC-1924D	<b>NCB-1924</b>	<b>NCB-1924D</b>
NC-2432D	<b>NCB-2432</b>	<b>NCB-2432D</b>
NC-3241D	<b>NCB-3241</b>	<b>NCB-3241D</b>

	Bolt Range (in)	Hexagon Nut Range (in)	Capacity (ton)	Oil Capacity (in <sup>3</sup> )	Model Number	Dimensions (in)						Weight (lbs)	
						A	B	C	D	F	H		J
	.31-.50	.50-.75	5	.92	<b>NC-1319</b>	1.57	7.87	.24	.75	1.10	1.89	.83	1.8
	.50-.63	.75-.94	10	1.22	<b>NC-1924 *</b>	2.17	8.94	.32	.98	1.50	2.80	1.00	4.4
	.63-.88	.94-1.13	15	3.66	<b>NC-2432 *</b>	2.60	10.24	.39	1.22	1.93	2.99	1.30	6.6
	.88-1.13	1.13-1.56	20	4.88	<b>NC-3241 *</b>	2.95	11.26	.59	1.38	2.60	3.50	1.69	9.7
	1.13-1.38	1.56-2.00	35	9.46	<b>NC-4150</b>	3.78	12.80	.83	1.77	2.87	4.29	2.13	18.0
	1.38-1.50	2.00-2.25	50	14.64	<b>NC-5060</b>	4.17	14.41	1.06	2.13	3.63	4.96	2.38	26.0
1.50-1.88	2.38-2.88	90	30.00	<b>NC-6075</b>	6.14	14.43	1.06	2.95	4.33	7.09	3.07	75.1	
	.50-.63	.75-.94	10	1.22	<b>NC-1924D</b>	2.17	6.61	0.87	0.98	1.97	2.60	2.60	8.38
	.63-.88	.94-1.13	15	3.66	<b>NC-2432D</b>	2.60	10.83	0.98	1.22	2.56	3.07	3.07	11.90
	.88-1.13	1.13-1.56	20	4.88	<b>NC-3241D</b>	3.03	12.00	1.22	1.46	3.15	3.54	3.54	15.87

Ordering Notes: Maximum allowable hardness to split is HRc-44. Not to be used on square nuts.

\* Available as Tool-Pump set, see note on this page.