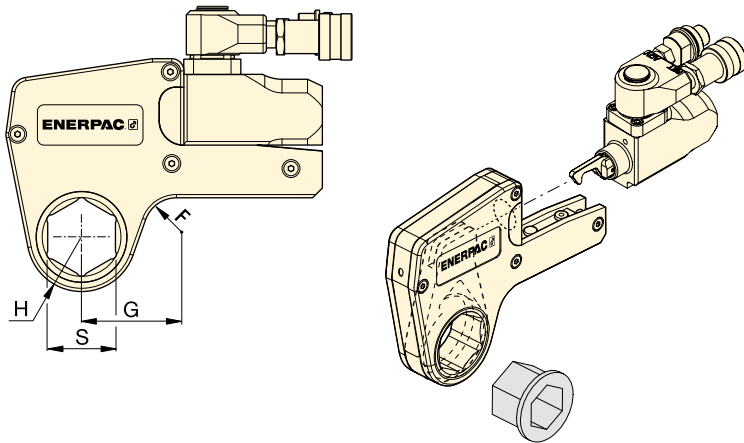


W-Series, Metric Cassettes and Reducers



W Series X-Edition







Hexagon Range:

24 - 105 mm

Maximum Operating Pressure:

690 bar

▼ SELECTION CHART

Drive Unit Model Number	Hexagon Size ¹⁾	Nose Radius	Dim.	Model Nr. Cassette							
						Hexagon Reducer (mm)	Model Number Reducer	Hexagon Reducer (mm)	Model Number Reducer	Hexagon Reducer (mm)	Model Number Reducer
W2000PX (2766 Nm)	30	31	54	W2103X	2,1	-	-	-	-	-	-
	32	31	54	W2104X	2,1	-	-	-	-	-	-
	36	31	54	W2107X	2,1	-	-	-	-	-	-
	38	34	58	W2108X	2,2	-	-	-	-	-	-
	41	34	58	W2110X	2,2	41 - 32	W2110R104	41 - 30	W2110R103	41 - 24	W2110R024M
	46	34	61	W2113X	2,2	46 - 36	W2113R107	46 - 32	W2113R104	-	-
	50	39	63	W2200X	2,2	50 - 41	W2200R110	50 - 36	W2200R107	-	-
	55	42	69	W2203X	2,3	55 - 46	W2203R113	55 - 41	W2203R110	55 - 36	W2203R107
	60	45	65	W2206X	2,2	60 - 50	W2206R200	60 - 46	W2206R113	60 - 41	W2206R110
	-	-	-	-	-	-	60 - 36	W2206R107	-	-	-
W4000PX (5661 Nm)	36	37	61	W4107X	3,7	-	-	-	-	-	-
	41	37	61	W4110X	3,7	-	-	-	-	-	-
	46	40	64	W4113X	3,8	-	-	-	-	-	-
	50	42	67	W4200X	3,9	50 - 36	W4200R107	-	-	-	-
	55	44	73	W4203X	4,0	55 - 41	W4203R110	55 - 36	W4203R107	55 - 32	W4203R104
	60	47	71	W4206X	4,1	60 - 50	W4206R200	60 - 46	W4206R113	60 - 36	W4206R107
	65	50	76	W4209X	4,1	65 - 55	W4209R203	65 - 50	W4209R200	65 - 46	W4209R113
	70	53	78	W4212X	4,2	70 - 60	W4212R206	70 - 55	W4212R203	-	-
	75	55	82	W4215X	4,3	75 - 65	W4215R209	75 - 60	W4215R206	-	-
	-	-	-	W4215X	-	75 - 55	W4215R203	75 - 50	W4215R200	-	-
	80	59	84	W4302X	-	-	-	80 - 70	W4302R212	80 - 65	W4302R209
-	-	-	W4302X	-	80 - 55	W4302R203	80 - 50	W4302R200	-	-	
W8000PX (11.484 Nm)	85	62	86	W4085MX	4,5	-	-	-	-	-	-
	50	45	78	W8200X	8,1	-	-	-	-	-	-
	55	48	80	W8203X	8,1	-	-	-	-	-	-
	60	51	83	W8206X	8,1	-	-	-	-	-	-
	65	56	85	W8209X	8,1	65 - 50	W8209R200	-	-	-	-
	70	56	85	W8212X	7,9	70 - 55	W8212R203	-	-	-	-
	75	58	85	W8215X	7,9	75 - 60	W8215R206	75 - 55	W8215R203	-	-
	80	61	90	W8302X	8	80 - 65	W8302R209	80 - 60	W8302R206	80 - 55	W8302R203
	-	-	-	-	-	80 - 50	W8302R200	-	-	-	-
	85	66	92	W8085MX	8,2	85 - 70	W8085R070M	85 - 65	W8085R065M	85 - 60	W8085R060M
	-	-	-	-	-	85 - 55	W8085R055M	-	-	-	-
	90	74	103	W8090MX	8,8	90 - 75	W8090R075M	-	-	-	-
	95	74	103	W8312X	8,8	95 - 80	W8312R302	95 - 75	W8312R215	-	-
100	80	110	W8315X	9,3	-	-	-	-	-	-	
105	80	110	W8402X	9,3	-	-	-	-	-	-	

¹⁾ See page 285 for table of hexagon sizes of bolts, nuts and related thread diameters.