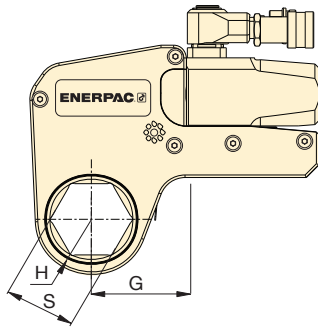


# W8000X Series Imperial Cassettes & Reducer Inserts **ENERPAC**



Nominal Torque at 10,000 psi:

**8470 Ft.lbs**

Hexagon Range:

**1 7/8 - 4 1/8 inch**






Maximum Operating Pressure:

**10,000 psi**

**W**  
Series  
(X-Edition)



▼ SELECTION CHART

Drive Unit Model Number	Hexagon Size	Nose Radius	Dim.	Model Number	Wt.						
						Hexagon Reducer (in)	Model Number	Hexagon Reducer (in)	Model Number	Hexagon Reducer (in)	Model Number
	S (in)	H (in)	G (in)		(lbs)						
<b>W8000X</b>	1 7/8	1.77	3.08	<b>W8114X</b>	17.97	-	-	-	-	-	-
	1 15/16	1.77	3.08	<b>W8115X</b>	17.89	-	-	-	-	-	-
	2	1.77	3.08	<b>W8200X</b>	17.75	-	-	-	-	-	-
	2 1/16	1.89	3.15	<b>W8201X</b>	17.52	-	-	-	-	-	-
	2 1/8	1.89	3.15	<b>W8202X</b>	17.36	-	-	-	-	-	-
	2 3/16	1.89	3.15	<b>W8203X</b>	17.22	-	-	-	-	-	-
	2 1/4	2.01	3.25	<b>W8204X</b>	17.92	-	-	-	-	-	-
	2 5/16	2.01	3.25	<b>W8205X</b>	17.76	-	-	-	-	-	-
	2 3/8	2.01	3.25	<b>W8206X</b>	17.59	-	-	-	-	-	-
	2 7/16	2.07	3.38	<b>W8207X</b>	17.65	-	-	-	-	-	-
	2 1/2	2.07	3.38	<b>W8208X</b>	17.52	-	-	-	-	-	-
	2 9/16	2.07	3.38	<b>W8209X</b>	17.29	2 9/16 - 2	<b>W8209R200</b>	-	-	-	-
	2 5/8	2.20	3.34	<b>W8210X</b>	17.50	-	-	-	-	-	-
	2 11/16	2.20	3.34	<b>W8211X</b>	17.36	-	-	-	-	-	-
	2 3/4	2.20	3.34	<b>W8212X</b>	17.12	2 3/4 - 2 3/16	<b>W8212R203</b>	-	-	-	-
	2 13/16	2.28	3.35	<b>W8213X</b>	17.57	-	-	-	-	-	-
	2 7/8	2.28	3.35	<b>W8214X</b>	17.38	-	-	-	-	-	-
	2 15/16	2.28	3.35	<b>W8215X</b>	17.11	2 15/16 - 2 3/8	<b>W8215R206</b>	2 15/16 - 2 3/8	<b>W8215R203</b>	-	-
	3	2.38	3.52	<b>W8300X</b>	17.77	-	-	-	-	-	-
	3 1/16	2.38	3.52	<b>W8301X</b>	17.65	-	-	-	-	-	-
	3 1/8	2.38	3.52	<b>W8302X</b>	17.33	3 1/8 - 2 9/16	<b>W8302R209</b>	3 1/8 - 2 3/8	<b>W8302R206</b>	3 1/8 - 2 3/16	<b>W8302R203</b>
	-	-	-	-	-	-	3 1/8 - 2	<b>W8302R200</b>	-	-	-
	3 3/16	2.60	3.63	<b>W8303X</b>	18.99	-	-	-	-	-	-
	3 1/4	2.60	3.63	<b>W8304X</b>	18.72	-	-	-	-	-	-
	3 5/16	2.60	3.63	<b>W8305X</b>	18.54	-	-	-	-	-	-
	3 3/8	2.60	3.63	<b>W8306X</b>	18.36	-	-	-	-	-	-
	3 7/16	2.60	3.63	<b>W8307IX</b>	18.11	-	-	-	-	-	-
	3 1/2	2.60	3.63	<b>W8308X</b>	17.81	3 1/2 - 3	<b>W8308R300</b>	3 1/2 - 2 15/16	<b>W8308R215</b>	3 1/2 - 2 3/4	<b>W8308R212</b>
	3 9/16	2.91	4.05	<b>W8309X</b>	20.36	-	-	-	-	-	-
	3 5/8	2.91	4.05	<b>W8310X</b>	20.18	-	-	-	-	-	-
	3 11/16	2.91	4.05	<b>W8311X</b>	19.93	-	-	-	-	-	-
	3 3/4	2.91	4.05	<b>W8312X</b>	19.71	3 3/4 - 3 1/8	<b>W8312R302</b>	3 3/4 - 2 15/16	<b>W8312R215</b>	3 3/4 - 2 3/4	<b>W8312R212</b>
3 13/16	2.91	4.05	<b>W8313X</b>	19.46	-	-	-	-	-	-	
3 7/8	2.91	4.05	<b>W8314X</b>	19.10	3 7/8 - 3 1/8	<b>W8314R302</b>	3 7/8 - 2 15/16	<b>W8314R215</b>	-	-	
3 15/16	3.13	4.33	<b>W8315X</b>	20.31	-	-	-	-	-	-	
4	3.13	4.33	<b>W8400X</b>	20.04	-	-	-	-	-	-	
4 1/16	3.13	4.33	<b>W8401IX</b>	19.80	-	-	-	-	-	-	
4 1/8	3.13	4.33	<b>W8402X</b>	19.39	-	-	-	-	-	-	