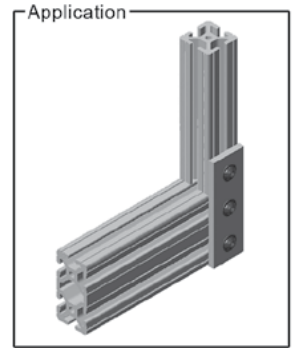
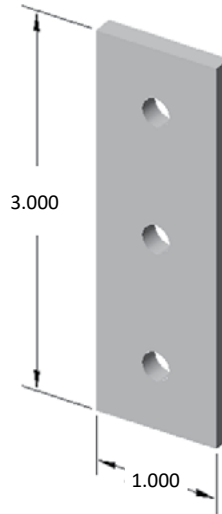


10JP4202

3 HOLE JOINING STRIP



Use 10FA3122 for FAST assembly



Part weight: .045 lbs

RECOMMENDED HARDWARE

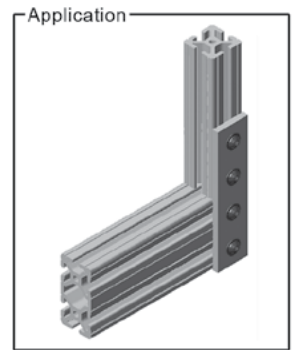
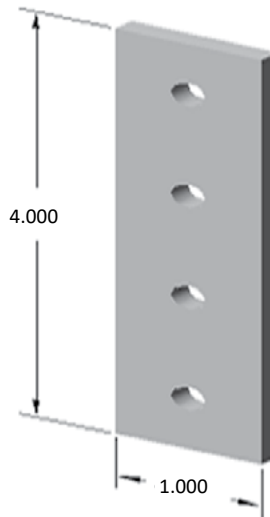
QTY	DESCRIPTION	PART NO.
3	1/4-20 x 1/2 FBHSCS	13FA3309
3	1/4-20 ECONOMY T-NUT	10FA3121

10JP4213

4 HOLE JOINING STRIP



Use 10FA3122 for FAST assembly



Part weight: .065 lbs

RECOMMENDED HARDWARE

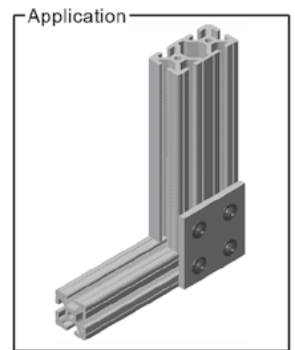
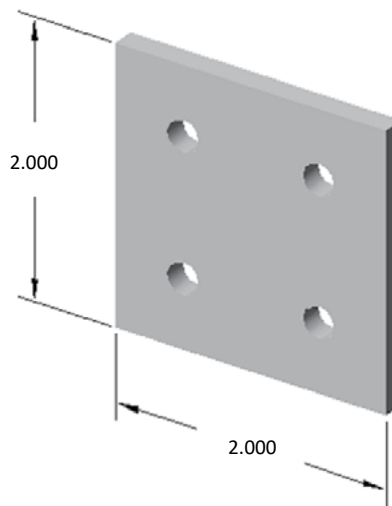
QTY	DESCRIPTION	PART NO.
4	1/4-20 x 1/2 FBHSCS	13FA3309
4	1/4-20 ECONOMY T-NUT	10FA3121

10JP4230

4 HOLE JOINING PLATE



Use 10FA3122 for FAST assembly



Part weight: .070 lbs

RECOMMENDED HARDWARE

QTY	DESCRIPTION	PART NO.
4	1/4-20 x 1/2 FBHSCS	13FA3309
4	1/4-20 ECONOMY T-NUT	10FA3121