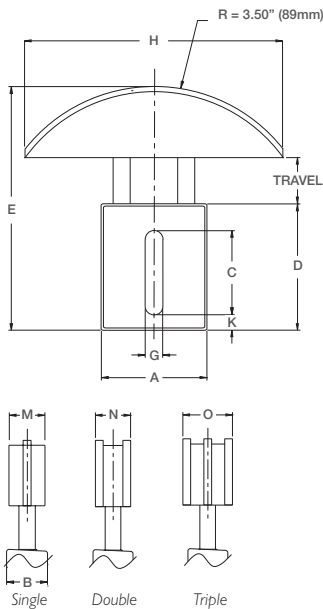


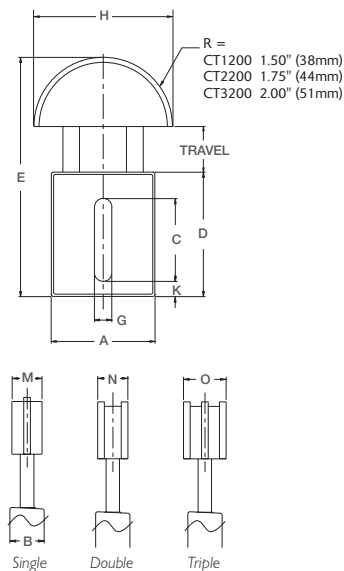
## CT Series: CT1100, CT2100 & CT3100†



Series	Tensioner Body Dimensions*								Travel (in)	Force † (lbs)
	A	B	C	D	E	G	H	K		
<b>INCH</b>										
CT11XX	2.31	0.98	1.82	2.91	5.6	0.41	5.5	0.46	1.05	15 - 40
CT21XX	2.95	1.18	2.27	3.52	6.4	0.49	5.5	0.45	1.20	20 - 60
CT31XX	3.54	1.35	2.91	4.25	7.5	0.53	5.5	0.49	1.50	45 - 100

Single Chain			Double Chain			Triple Chain			Travel (in)	Force † (lbs)
Part Number	Chain	M*	Part Number	Chain	N*	Part Number	Chain	O*		
<b>INCH</b>										
CT1101-L	#35	0.79	CT1103-L	#35	0.79	CT1105-L	#35	0.98	1.05	5 - 30
CT1101	#35	0.79	CT1103	#35	0.79	CT1105	#35	0.98	1.05	15 - 40
CT1102	#40	0.79	CT1104	#40	0.79	CT1106	#40	1.37	1.05	15 - 40
CT2101	#50	0.87	CT2103	#50	0.98	CT2105	#50	1.75	1.20	20 - 60
CT2102	#60	0.87	CT2104	#60	1.37				1.20	20 - 60
CT3101	#80	0.98	CT3103	#80	1.75				1.50	45 - 100
CT3102	#100	0.98							1.50	45 - 100
CT3102-H	#100	0.98							1.00	30 - 200
CT3196	#81X	2.15							1.50	45 - 100
<b>METRIC</b>										
CT1111-L	06B	20	CT1113-L	06B	20				27	22 - 133
CT1111	06B	20	CT1113	06B	20				27	67 - 178
CT1112	08B	20	CT1114	08B	20				27	67 - 178
CT2111	10B	22	CT2112	10B	25				31	89 - 267
CT2109	12B	22	CT2110	12B	35				31	89 - 267
CT3111	16B	25	CT3113	16B	44				38	200 - 445
CT3112	20B	25							38	200 - 445
CT3112-H	20B	25							25	134 - 890

## CT Series: CT1200, CT2200 & CT3200†



Series	Tensioner Body Dimensions*								Travel (in)	Force † (lbs)
	A	B	C	D	E	G	H	K		
<b>INCH</b>										
CT12XX	2.31	0.98	1.82	2.91	5.47	0.41	3	0.46	1.05	15 - 40
CT22XX	2.95	1.18	2.27	3.52	6.47	0.49	3.5	0.45	1.20	20 - 60

Single Chain			Double Chain			Triple Chain			Travel (in)	Force † (lbs)
Part Number	Chain	M*	Part Number	Chain	N*	Part Number	Chain	O*		
<b>INCH</b>										
CT1201-L	#35	1.00	CT1203-L	#35	0.79	CT1205-L	#35	0.98	1.05	5 - 30
CT1201	#35	1.00	CT1203	#35	0.79	CT1205	#35	0.98	1.05	15 - 40
CT1202	#40	1.00	CT1204	#40	0.79	CT1206	#40	1.37	1.05	15 - 40
CT2201	#50	1.00	CT2203	#50	0.98	CT2205	#50	1.75	1.20	20 - 60
CT2202	#60	1.00	CT2204	#60	1.37				1.20	20 - 60
CT3201	#80	0.98	CT3203	#80	1.75				1.50	45 - 100
CT3202	#100	0.98							1.50	45 - 100
CT3202-H	#100	0.98							1.00	30 - 200
<b>METRIC</b>										
CT1211-L	06B	20	CT1213-L	06B	20				27	22 - 133
CT1211	06B	20	CT1213	06B	20				27	67 - 178
CT1212	08B	20	CT1214	08B	20				27	67 - 178
CT2208	10B	22	CT2209	10B	25				31	89 - 267
CT2206	12B	22	CT2207	12B	35				31	89 - 267
CT3211	16B	25	CT3213	16B	44				38	200 - 445
CT3212	20B	25							38	200 - 445
CT3212-H	20B	25							25	134 - 890

\* Inch dimensions are in inches; metric dimensions are in millimeters.

† These tensioners can be used on chain sizes up to ANSI #160 or BS/DIN #24B.

Contact Fenner Drives Applications Engineering group at [AE@fennerdrives.com](mailto:AE@fennerdrives.com) for head dimensions.

‡ All forces are nominal.