



- **G1658** Emergency Shower, Semi-Concealed, Stainless Steel Shower Head and Pipe
- **G1658PCC** Emergency Shower, Semi-Concealed, Stainless Steel Shower Head, Polished Chrome Plated Pipe



Application: Emergency shower for semi-concealed mounting in a finished ceiling. Unit is designed for installation in ceilings 8-10 feet above finished floor.

Shower Head: Shower head is 10" diameter stainless steel. Furnished with vertical supply pipe and ceiling escutcheon for mounting shower head at desired height above finished floor.

Valve: 1" IPS brass stay-open ball valve. Valve is US-made with chrome plated brass ball and PTFE seals. Furnished with stainless steel actuating arm, 63-1/2" stainless steel pull rod and stainless steel ceiling guide plate.

Pipe and Fittings: Exposed pipe is brushed stainless steel (G1658) or polished chrome plated brass (G1658PCC).

Supply: 1" NPT female inlet.

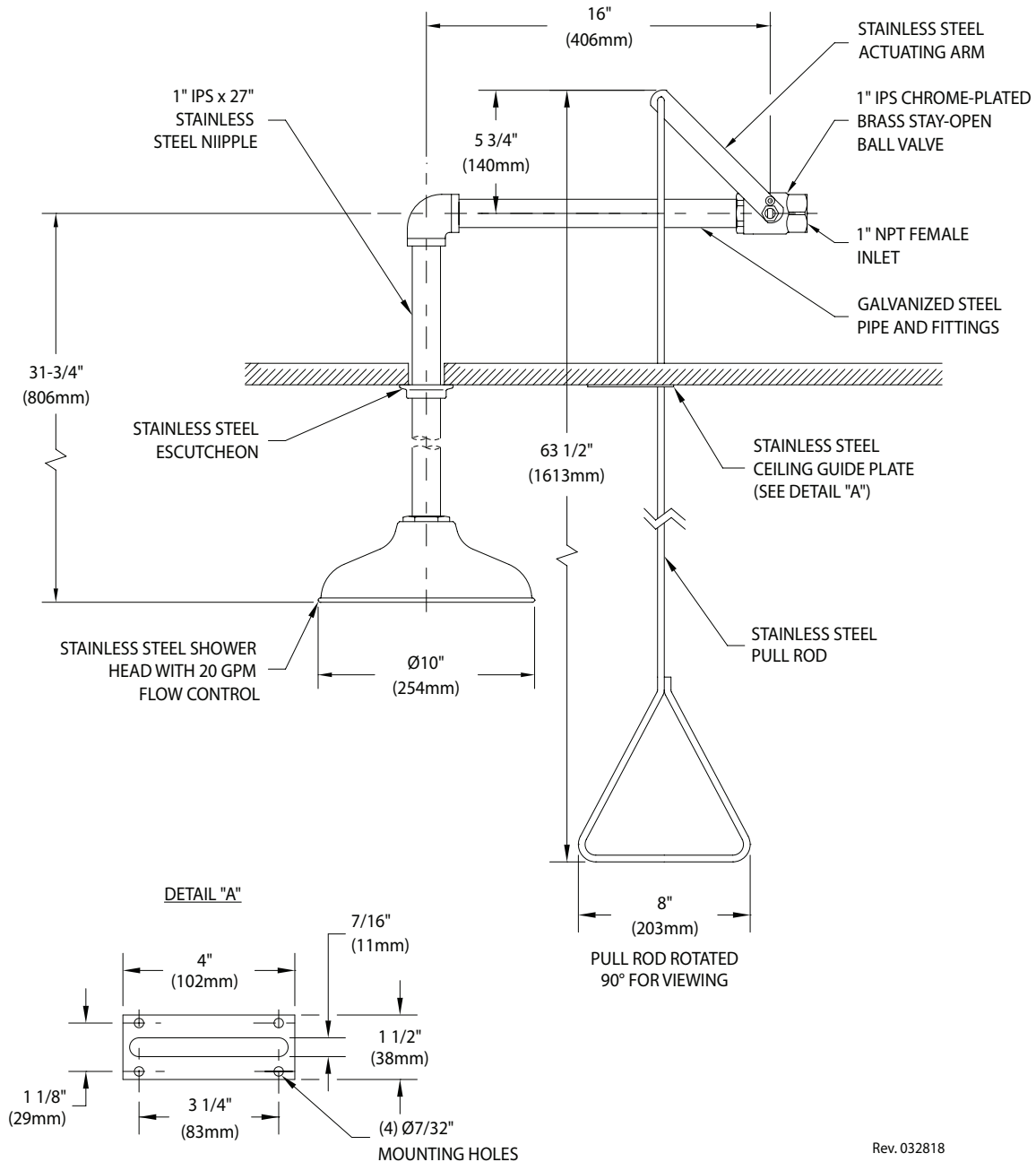
Sign: ANSI-compliant identification sign.

Available Options

- **G6040** Thermostatic mixing valve precisely blends hot and cold water to deliver tepid water as required by ANSI Z358.1-2014. Refer to "Thermostatic Mixing Valves" section for complete technical and product selection information.
- **AP280-230** Electric strobe light and alarm horn unit for recess mounting in finished wall. Light illuminates and horn sounds when shower is activated. Furnished complete with flow switch and mounting hardware.



- **G1658** Emergency Shower, Semi-Concealed, Stainless Steel Shower Head and Pipe
- **G1658PCC** Emergency Shower, Semi-Concealed, Stainless Steel Shower Head, Polished Chrome Plated Pipe



Rev. 032818

THIS SPACE FOR ARCHITECT/ENGINEER APPROVAL

Sign Included



Due to continuing product improvement, the information contained in this document is subject to change without notice. All dimensions are ± 1/4" (6mm). rev. 040218

