



□ **GBF1721** Barrier-Free WideArea™ Eye/Face Wash, Wall Mounted, Stainless Steel Bowl and Skirt



Application: Barrier-Free WideArea™ eye/face wash for wall mounting. Bowl is lowered and extended to permit access by wheelchair user. Profile of unit is “flattened” to comply with maximum height and knee clearance requirements. Unit has stainless steel bowl and wrap-around skirt to conceal valve, drain and piping.

ADA Compliance: When installed at recommended mounting height, unit complies with ADA requirements for accessibility by handicapped persons (maximum height and reach, minimum knee clearance and distance from obstructions).

Spray Head Assembly: Four GS-Plus™ spray heads. Each head has a “flip top” dust cover, internal flow control and filter to remove impurities from the water flow.

Valve: 1/2" IPS brass stay-open ball valve. Valve is US-made with chrome plated brass ball and PTFE seals.

Bowl: 11-1/8" diameter stainless steel with wrap-around skirt.

Mounting: Welded stainless steel wall bracket.

Supply: 1/2" NPT female inlet.

Waste: 1-1/2" OD chrome plated brass tailpiece.

Sign: ANSI-compliant identification sign.

Quality Assurance: Unit is completely assembled and water tested prior to shipment.

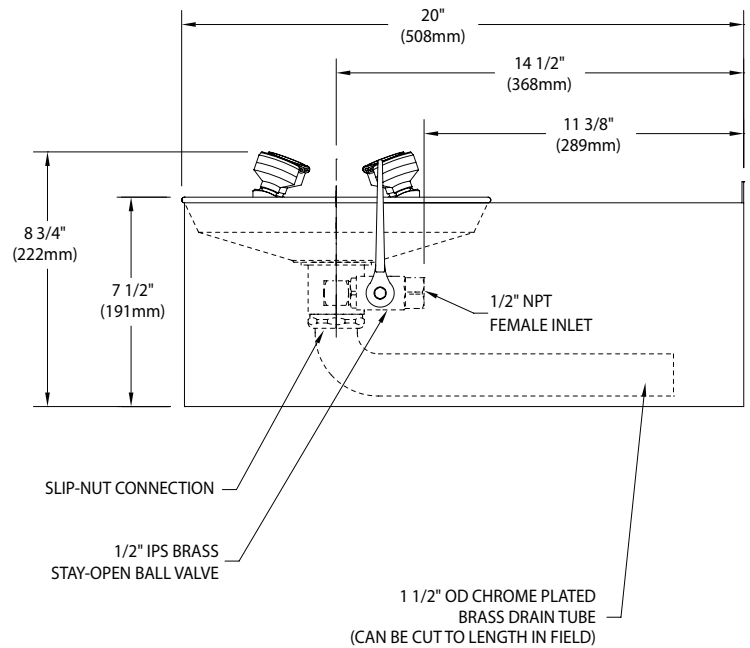
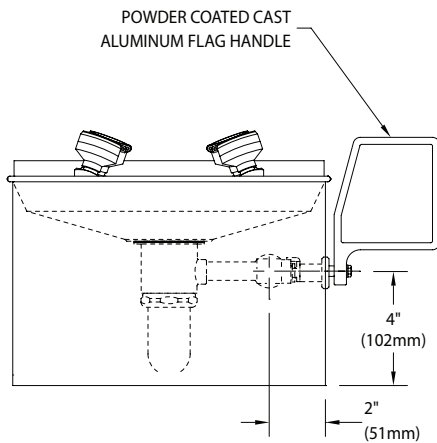
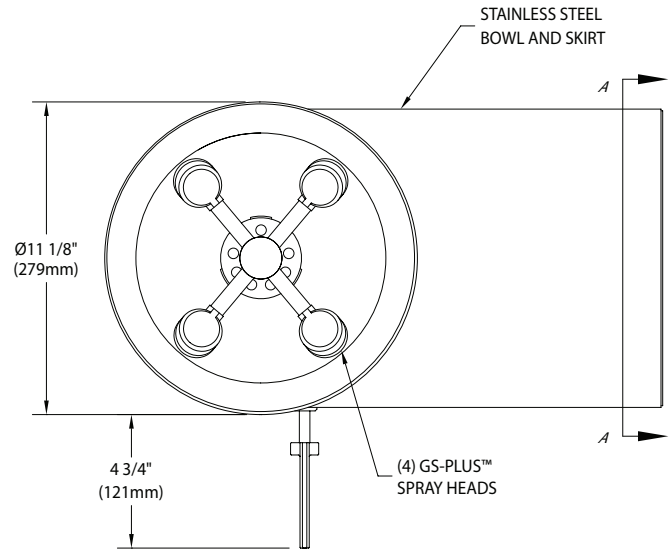
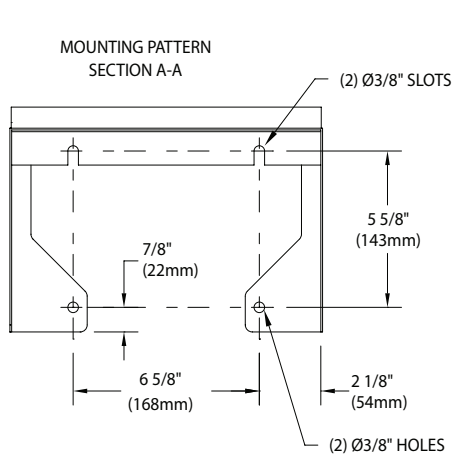
Available Options

- **G6020** Thermostatic mixing valve precisely blends hot and cold water to deliver tepid water as required by ANSI Z358.1-2014. Refer to “Thermostatic Mixing Valves” section for complete technical and product selection information.
- **HS** Auxiliary hand-held drench hose for rinsing eyes, face or body.
- **T** Chrome plated brass tailpiece and trap with 1-1/2" IPS waste connection.





GBF1721 Barrier-Free WideArea™ Eye/Face Wash, Wall Mounted, Stainless Steel Bowl and Skirt



NOTES:

1. EACH GS-PLUS SPRAY HEAD HAS A "FLIP-TOP" DUST COVER, INTERNAL FLOW CONTROL AND FILTER TO REMOVE IMPURITIES FROM THE WATER FLOW.
2. UNIT SHOULD BE INSTALLED SO THAT SPRAY HEADS ARE NO MORE THAN 36" ABOVE FINISHED FLOOR.

THIS SPACE FOR ARCHITECT/ENGINEER APPROVAL

Sign Included



Due to continuing product improvement, the information contained in this document is subject to change without notice. All dimensions are ± 1/4" (6mm). rev. 081018

Guardian Equipment 312 447 8100 TELEPHONE
 1140 N North Branch St 312 447 8101 FACSIMILE
 Chicago, IL 60642 gesafety.com



Listed 8116. Units have been tested to and comply with ANSI Z358.1-2014 and the Uniform Plumbing Code.

