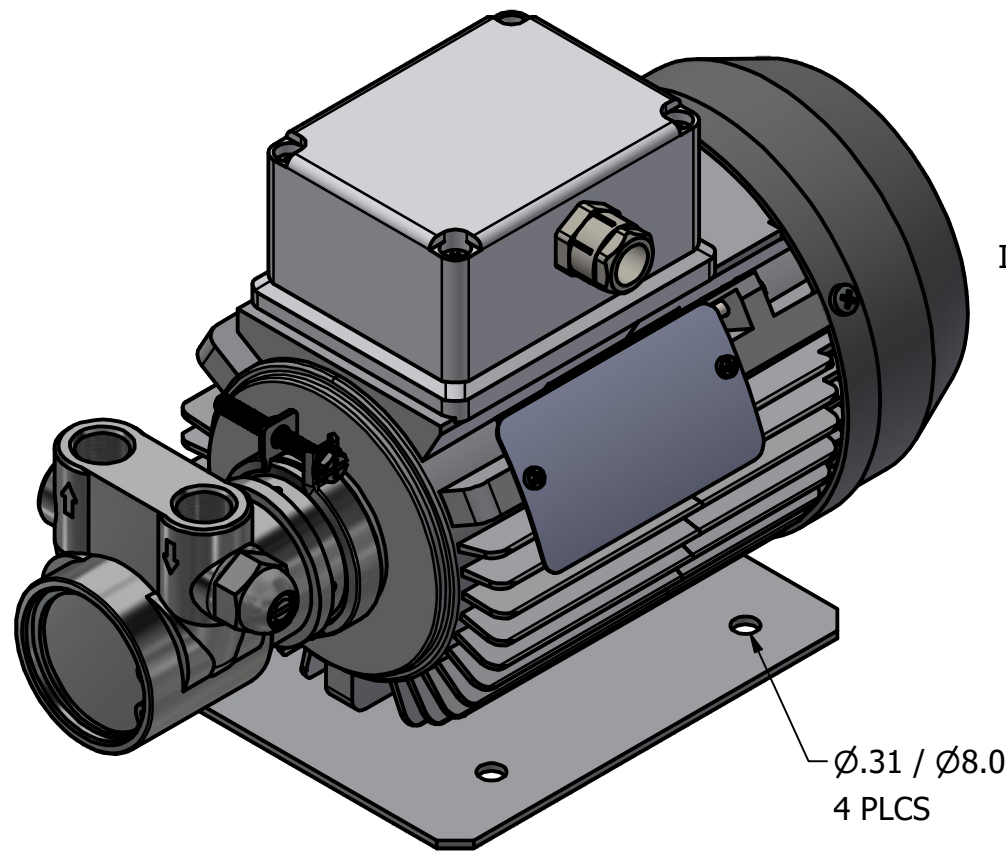


**SERIES 3
 ROTARY VANE PUMP
 CLAMP-ON STYLE
 ON 717 MOTOR
 3/8" NPT PORTS
 WITH RELIEF VALVE**

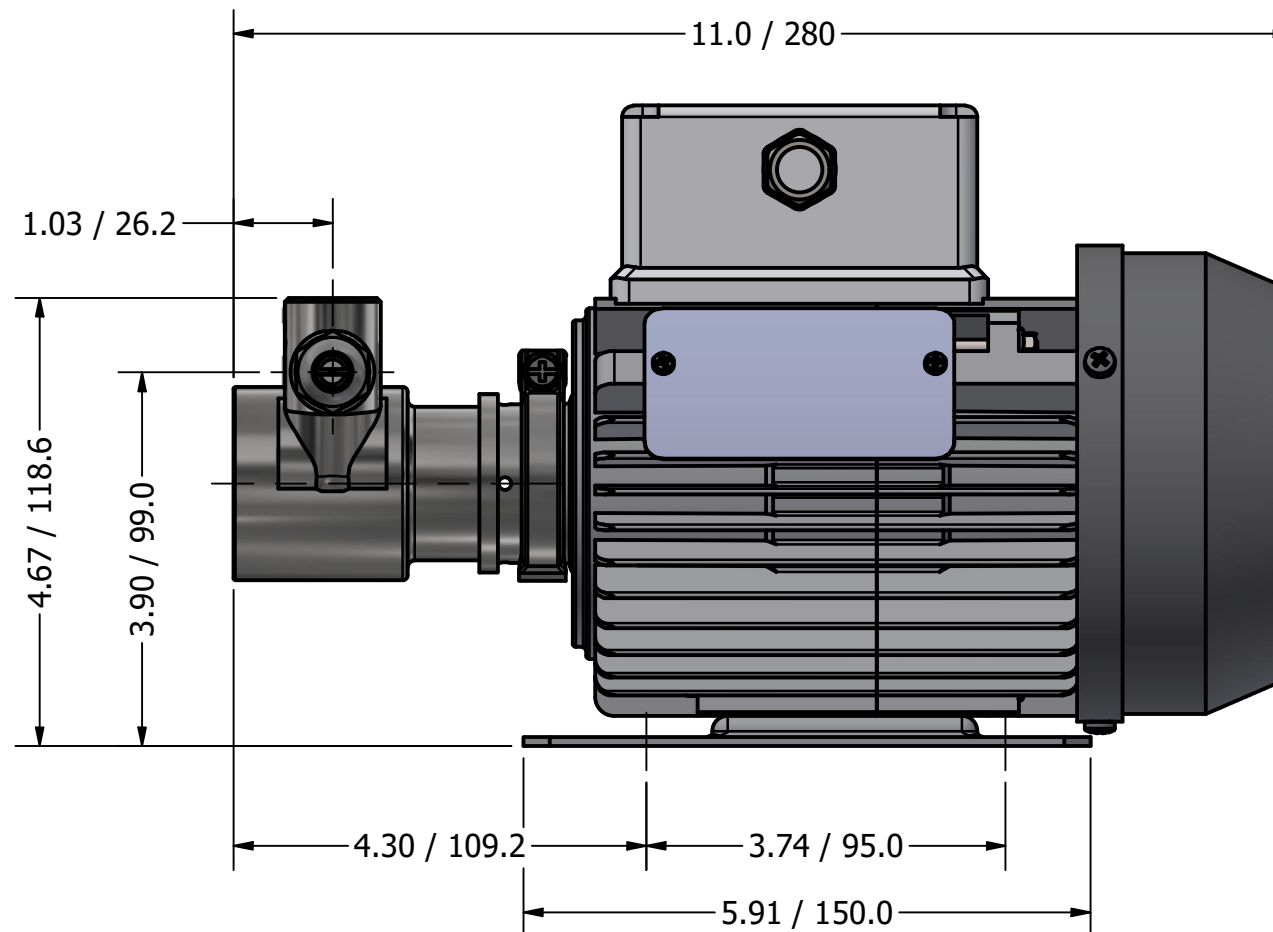
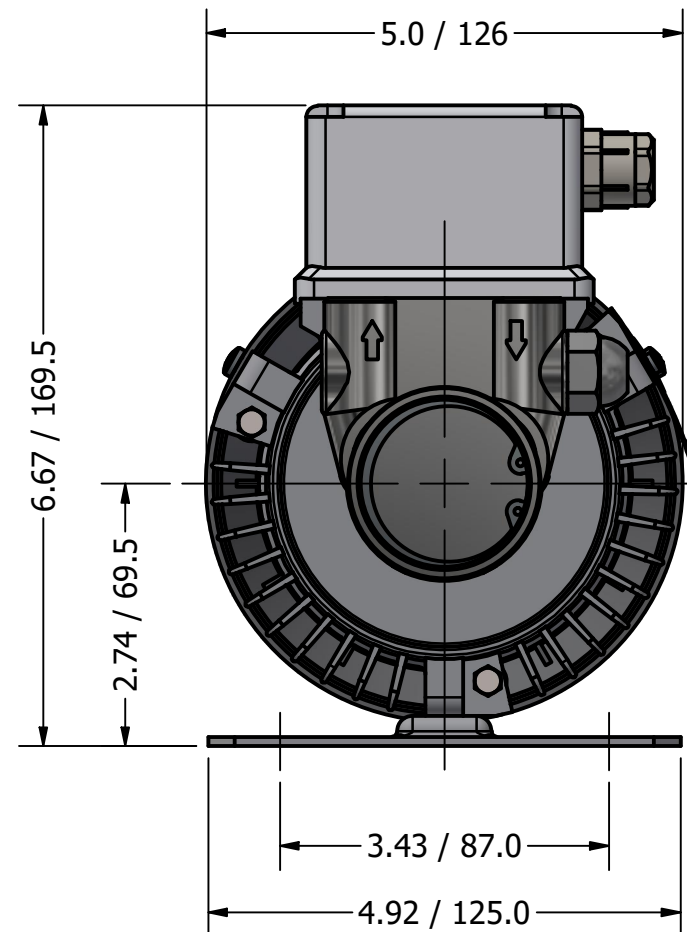


3/8" NPT
 INLET/OUTLET PORTS
 2 PLCS

1.50 / 38.1

RELIEF VALVE

717 MOTOR



Series 1, 2, and 3 Nominal Volume*

| Flow rate (GPH/ LPH) | Gallons Per Hour/Liters Per Hour | | | | | Brake Horsepower/Watts (motor shaft power) | | | | |
|----------------------------|----------------------------------|---------|----------|----------|----------|--|----------|----------|----------|----------|
| | Pressure (PSI/Bar) | | | | | Pressure (PSI/Bar) | | | | |
| | 50/3.4 | 100/6.9 | 150/10.3 | 200/13.8 | 250/17.5 | 50/3.4 | 100/6.9 | 150/10.3 | 200/13.8 | 250/17.5 |
| 140/425 | 143/447 | 141/441 | 139/434 | 137/428 | 135/422 | 0.17/127 | 0.28/209 | 0.40/298 | 0.52/387 | 0.63/469 |
| 125/375 | 128/400 | 126/394 | 124/388 | 122/381 | 120/375 | 0.16/119 | 0.26/194 | 0.36/268 | 0.47/350 | 0.57/425 |
| 110/330 | 111/347 | 109/341 | 107/334 | 105/328 | 103/322 | 0.15/112 | 0.25/186 | 0.34/253 | 0.44/328 | 0.54/402 |
| 100/300 | 102/319 | 100/313 | 98/306 | 96/300 | 94/294 | 0.13/97 | 0.20/149 | 0.28/209 | 0.35/261 | 0.42/313 |
| 80/240 | 82/257 | 80/256 | 78/244 | 76/238 | 74/231 | 0.12/89 | 0.18/134 | 0.25/186 | 0.32/238 | 0.39/291 |
| 70/210 | 72/225 | 70/219 | 68/213 | 66/206 | 64/200 | 0.11/82 | 0.17/127 | 0.24/179 | 0.30/224 | 0.37/276 |
| 60/180 | 62/194 | 60/188 | 58/181 | 56/175 | 54/169 | 0.10/75 | 0.16/119 | 0.23/171 | 0.29/216 | 0.35/261 |
| 50/150 | 52/163 | 50/157 | 48/150 | 46/144 | 44/138 | 0.09/67 | 0.15/112 | 0.21/157 | 0.27/201 | 0.33/246 |
| 35/100 | 37/116 | 35/110 | 33/103 | 31/97 | 29/91 | 0.08/51 | 0.14/104 | 0.19/142 | 0.24/179 | 0.29/216 |
| 25/75 | 27/85 | 25/78 | 23/72 | 21/66 | 19/59 | 0.07/52 | 0.12/89 | 0.17/127 | 0.22/164 | 0.27/201 |
| 15/45 | 17/53 | 15/47 | 13/41 | 11/34 | -- | 0.06/45 | 0.10/75 | 0.15/112 | 0.19/142 | -- |

*GPH rating at 1725 RPM/60Hz and LPH rating at 1450 RPM/50Hz.

Performance based on pump tested with water at room temperature For certificate of compliance or declarations please visit www.proconpumps.com or email productcompliance@proconpump.com

PROCON[®]
custom | fluid | solutions[®]

FC1001 v2