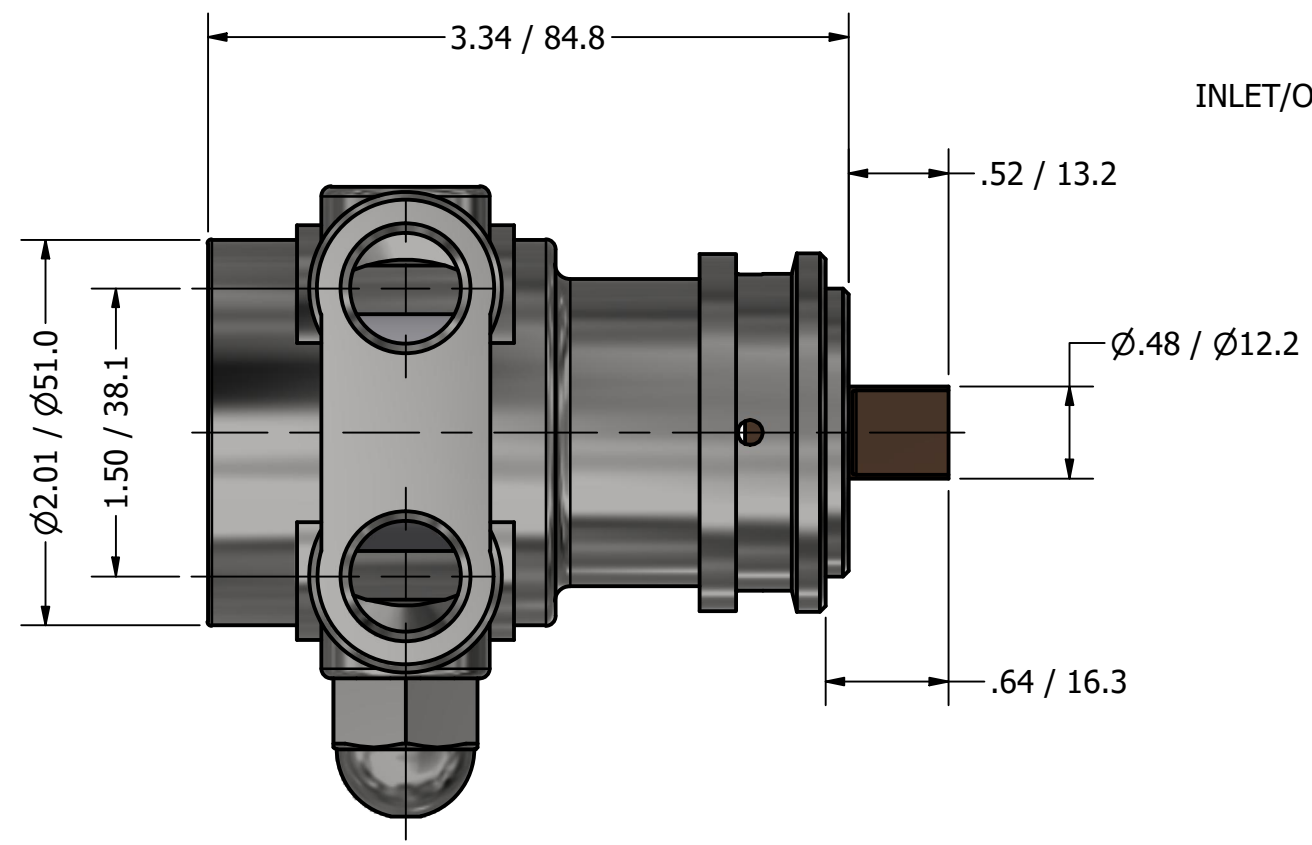
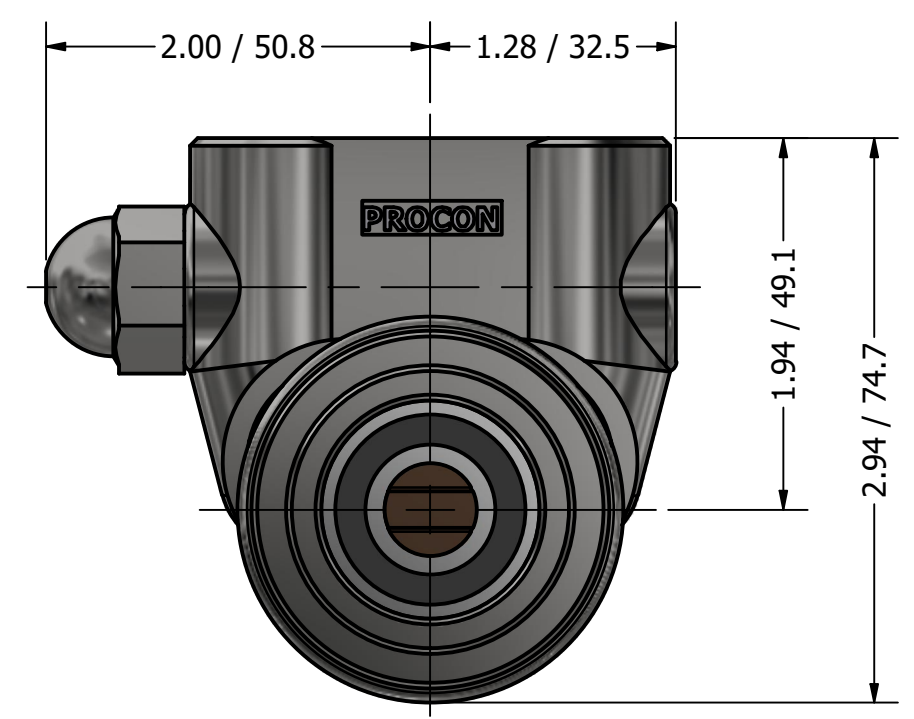
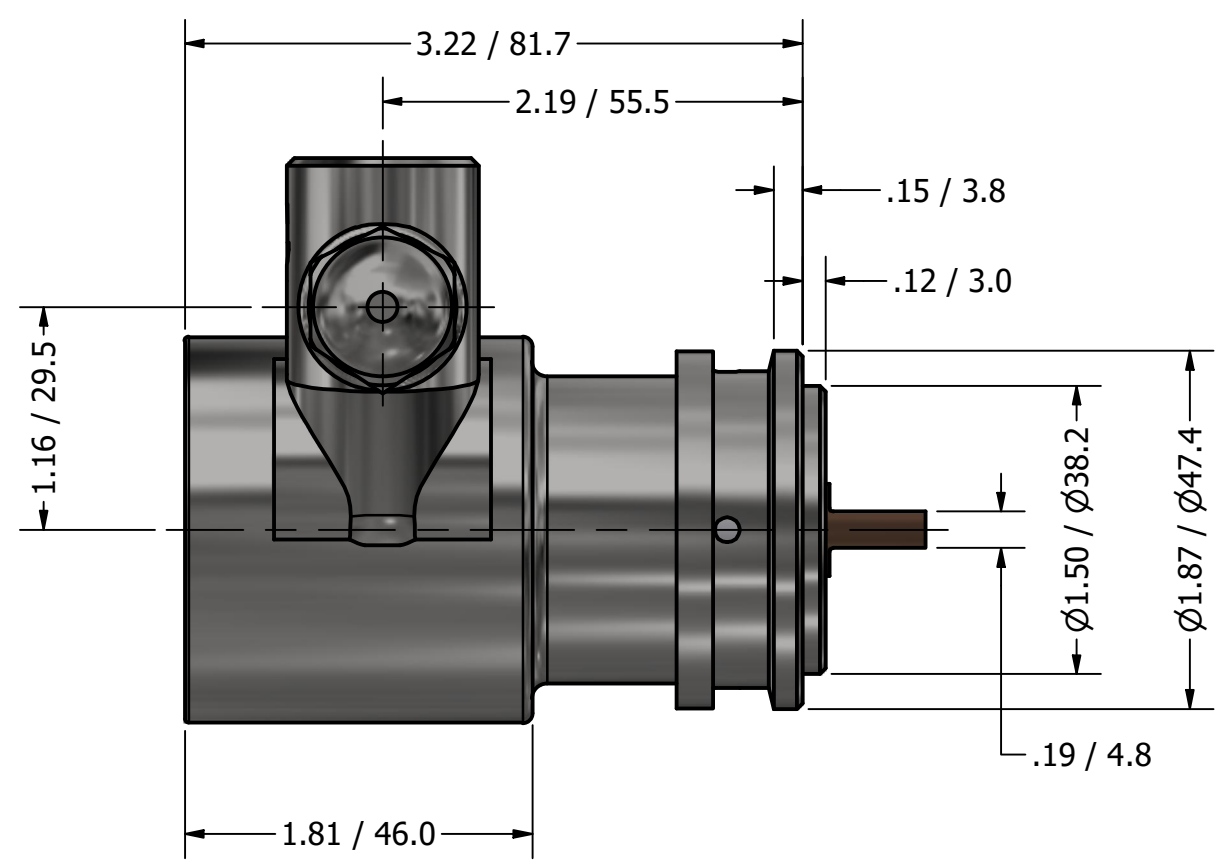
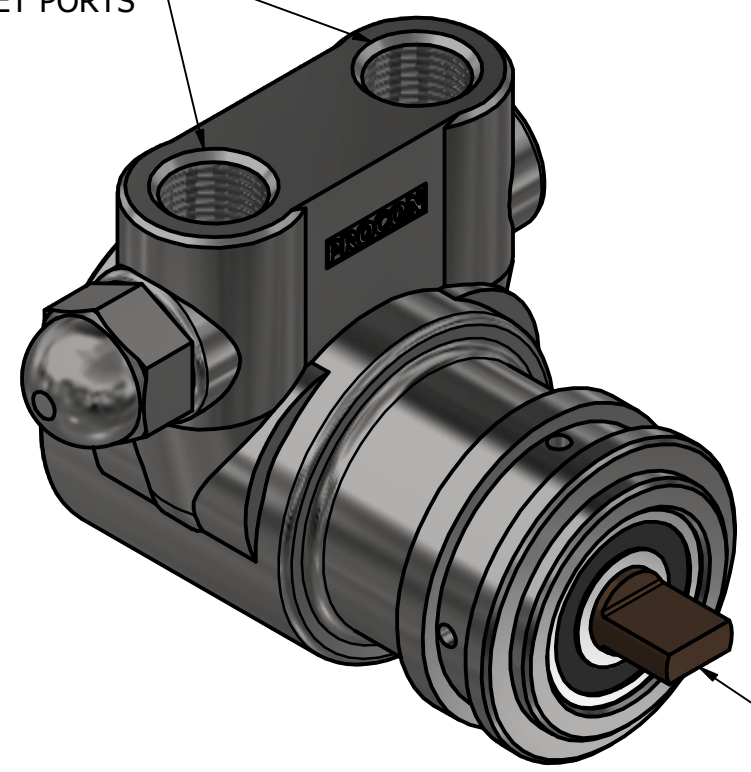


**SERIES 3  
 ROTARY VANE PUMP  
 CLAMP-ON STYLE  
 "B" MOUNTING  
 3/8" NPT PORTS  
 WITH RELIEF VALVE**



3/8" NPT  
 INLET/OUTLET PORTS



## Series 1, 2, and 3 Nominal Volume\*

| Flow rate<br>(GPH/<br>LPH) | Gallons Per Hour/Liters Per Hour |         |          |          |          | Brake Horsepower/Watts (motor shaft power) |          |          |          |          |
|----------------------------|----------------------------------|---------|----------|----------|----------|--|----------|----------|----------|----------|
|                            | Pressure (PSI/Bar)               |         |          |          |          | Pressure (PSI/Bar)                         |          |          |          |          |
|                            | 50/3.4                           | 100/6.9 | 150/10.3 | 200/13.8 | 250/17.5 | 50/3.4                                     | 100/6.9  | 150/10.3 | 200/13.8 | 250/17.5 |
| 140/425                    | 143/447                          | 141/441 | 139/434  | 137/428  | 135/422  | 0.17/127                                   | 0.28/209 | 0.40/298 | 0.52/387 | 0.63/469 |
| 125/375                    | 128/400                          | 126/394 | 124/388  | 122/381  | 120/375  | 0.16/119                                   | 0.26/194 | 0.36/268 | 0.47/350 | 0.57/425 |
| 110/330                    | 111/347                          | 109/341 | 107/334  | 105/328  | 103/322  | 0.15/112                                   | 0.25/186 | 0.34/253 | 0.44/328 | 0.54/402 |
| 100/300                    | 102/319                          | 100/313 | 98/306   | 96/300   | 94/294   | 0.13/97                                    | 0.20/149 | 0.28/209 | 0.35/261 | 0.42/313 |
| 80/240                     | 82/257                           | 80/256  | 78/244   | 76/238   | 74/231   | 0.12/89                                    | 0.18/134 | 0.25/186 | 0.32/238 | 0.39/291 |
| 70/210                     | 72/225                           | 70/219  | 68/213   | 66/206   | 64/200   | 0.11/82                                    | 0.17/127 | 0.24/179 | 0.30/224 | 0.37/276 |
| 60/180                     | 62/194                           | 60/188  | 58/181   | 56/175   | 54/169   | 0.10/75                                    | 0.16/119 | 0.23/171 | 0.29/216 | 0.35/261 |
| 50/150                     | 52/163                           | 50/157  | 48/150   | 46/144   | 44/138   | 0.09/67                                    | 0.15/112 | 0.21/157 | 0.27/201 | 0.33/246 |
| 35/100                     | 37/116                           | 35/110  | 33/103   | 31/97    | 29/91    | 0.08/51                                    | 0.14/104 | 0.19/142 | 0.24/179 | 0.29/216 |
| 25/75                      | 27/85                            | 25/78   | 23/72    | 21/66    | 19/59    | 0.07/52                                    | 0.12/89  | 0.17/127 | 0.22/164 | 0.27/201 |
| 15/45                      | 17/53                            | 15/47   | 13/41    | 11/34    | --       | 0.06/45                                    | 0.10/75  | 0.15/112 | 0.19/142 | --       |

\*GPH rating at 1725 RPM/60Hz and LPH rating at 1450 RPM/50Hz.

Performance based on pump tested with water at room temperature For certificate of compliance or declarations please visit [www.proconpumps.com](http://www.proconpumps.com) or email [productcompliance@proconpump.com](mailto:productcompliance@proconpump.com)

**PROCON**<sup>®</sup>  
custom | fluid | solutions<sup>®</sup>

**FC1001 v2**