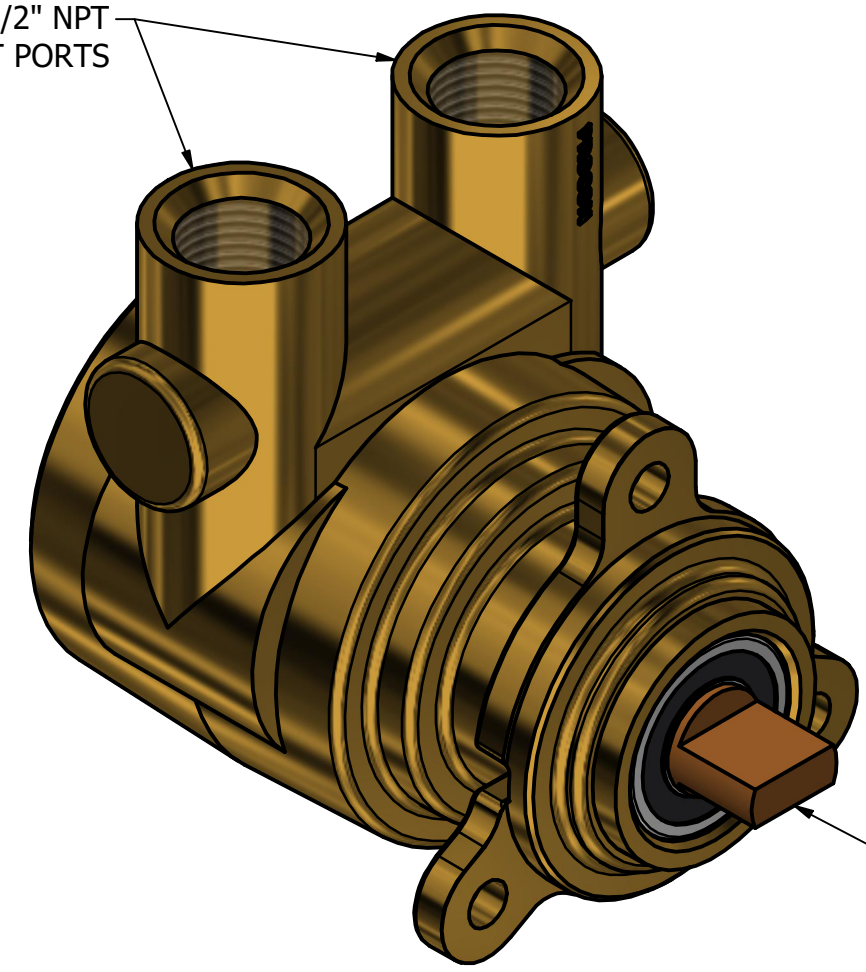
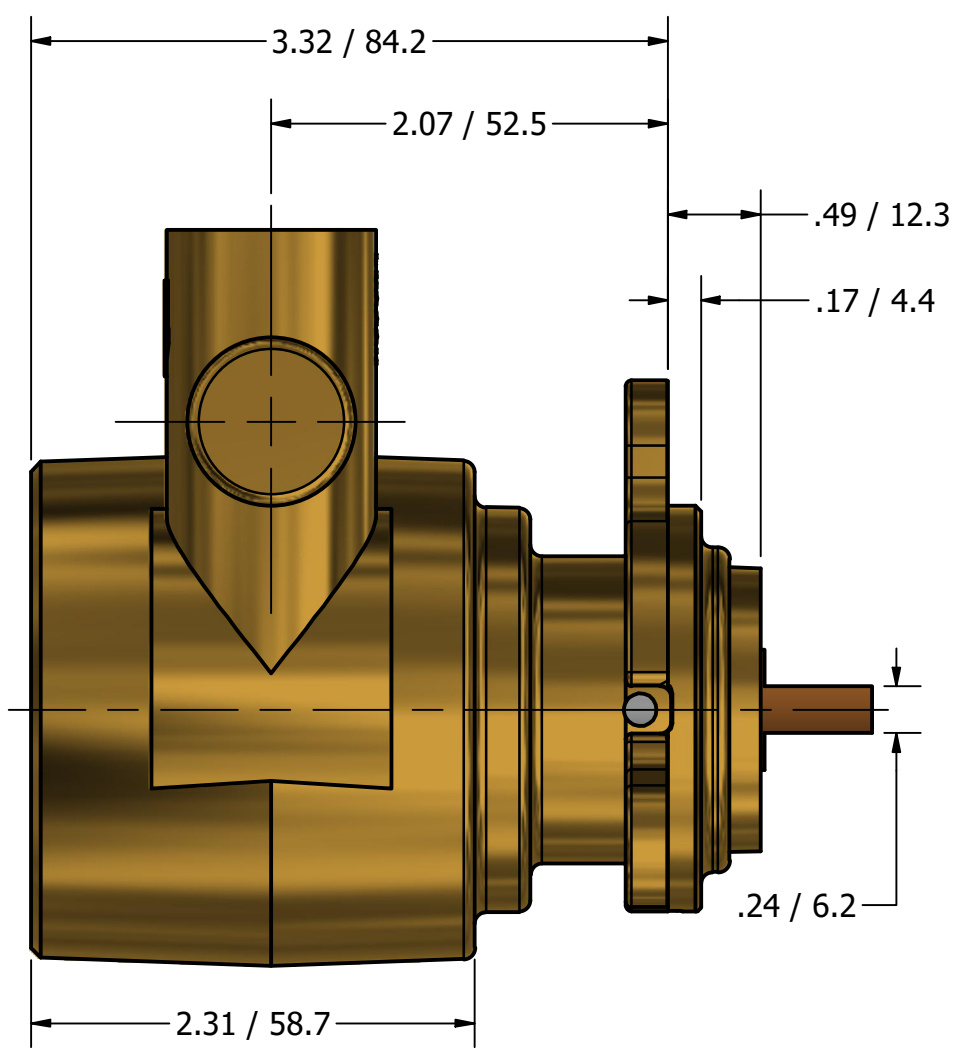


1/2" NPT
INLET/OUTLET PORTS

**SERIES 4
ROTARY VANE PUMP
BOLT-ON STYLE
"L" MOUNTING
1/2" NPT PORTS**

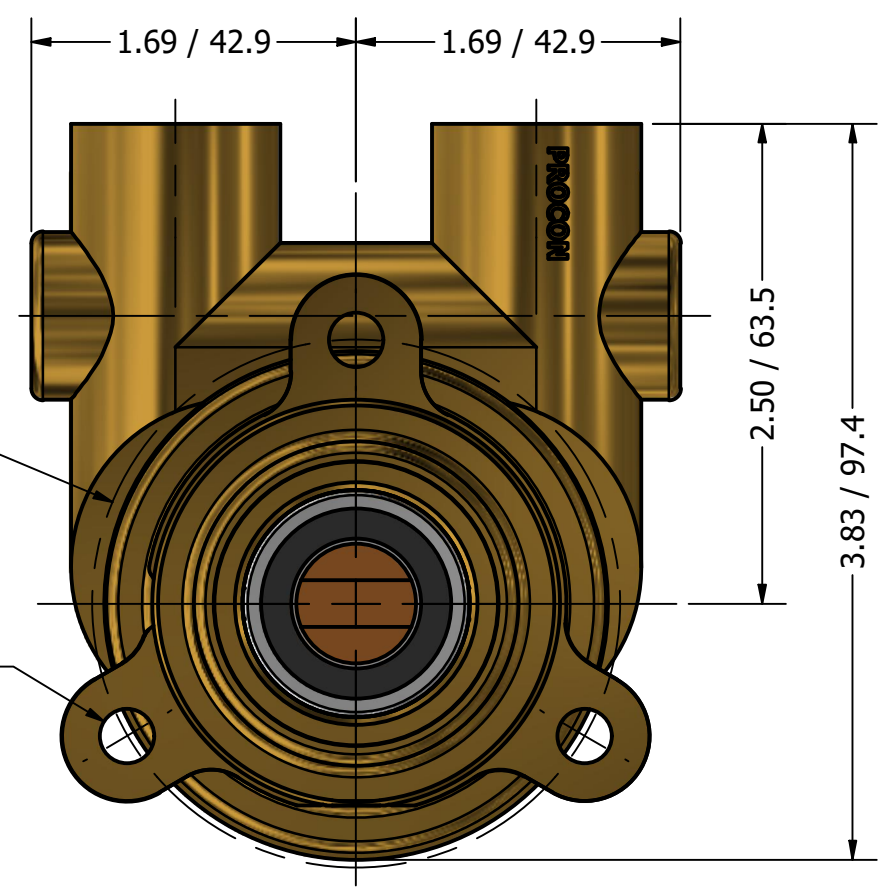


3018-1 BRONZE COUPLING



$\varnothing 2.75 / \varnothing 69.9$ B.C.

$\varnothing .28 / \varnothing 7.1$
3 EQUALLY
SPACED HOLES



Series 4 and 5 Nominal Volume*

| Flow rate (GPH/ LPH) | Gallons Per Hour/Liters Per Hour | | | | | Brake Horsepower/Watts (motor shaft power) | | | | |
|----------------------------|----------------------------------|-----------|-----------|-----------|-----------|--|----------|-----------|----------|----------|
| | Pressure (PSI/Bar) | | | | | Pressure (PSI/Bar) | | | | |
| | 50/3.4 | 100/6.9 | 150/10.3 | 200/13.8 | 250/17.5 | 50/3.4 | 100/6.9 | 150/10.3 | 200/13.8 | 250/17.5 |
| 330/1,000 | 331/1,034 | 330/1,031 | 328/1,025 | 327/1,022 | 326/1,019 | 0.33/246 | 0.55/410 | 0.78/581 | 1.00/745 | 1.22/909 |
| 265/800 | 265/828 | 263/822 | 261/816 | 259/809 | 257/803 | 0.24/179 | 0.43/320 | 0.63/469 | 0.82/611 | 1.01/753 |
| 240/725 | 243/759 | 240/750 | 236/738 | 232/725 | 228/713 | 0.21/157 | 0.37/276 | 0.54/402 | 0.70/522 | 0.86/641 |
| 215/650 | 218/681 | 215/672 | 211/659 | 207/647 | 203/634 | 0.20/149 | 0.35/261 | 0.50/3723 | 0.65/484 | 0.80/596 |
| 190/575 | 193/603 | 190/594 | 189/591 | 182/569 | 178/556 | 0.18/134 | 0.33/246 | 0.47/351 | 0.61/455 | 0.75/559 |
| 165/500 | 168/525 | 165/516 | 161/503 | 157/491 | 153/478 | 0.17/127 | 0.30/224 | 0.43/320 | 0.57/425 | 0.70/522 |
| 140/425 | 143/447 | 140/438 | 136/425 | 132/413 | 128/400 | 0.16/119 | 0.28/209 | 0.40/298 | 0.52/387 | 0.64/477 |
| 115/350 | 116/363 | 115/359 | 111/347 | 107/334 | 103/322 | 0.15/112 | 0.25/186 | 0.35/261 | 0.45/335 | 0.55/410 |

*GPH rating at 1725 RPM/60Hz and LPH rating at 1450 RPM/50Hz.

Performance based on pump tested with water at room temperature For certificate of compliance or declarations please visit www.proconpumps.com or email productcompliance@proconpump.com

PROCON[®]
custom | fluid | solutions[®]

FC1002 v2